

**Installation Manual**  
**Manuel d'installation**

MULTIMEDIA NAVIGATION RECEIVER  
RECEPTEUR DE NAVIGATION MULTIMEDIA

**AVIC-8000NEX**

**AVIC-7000NEX**

**AVIC-6000NEX**

**AVIC-5000NEX**

**AVIC-X8610BS**

---

## 01 Precautions

- Your new product and this manual 3
- Important safeguards 3

## 02 Connection

- Precautions before connecting the system 5
- Before installing this product 5
- To prevent damage 6
  - Notice for the blue/white lead 6
- Parts supplied 7
- Connecting the power cord (1) 8
- Connecting the power cord (2) 10
- Connecting the system 12
- Connecting to separately sold power amp 13
- Connecting an iPhone with Lightning connector 14
  - Connecting via the USB port 14
  - Connecting via the HDMI port 14
  - Connecting via the RGB input 15
- Connecting an iPhone with 30-pin connector 15
  - Connecting via the AUX input 15
  - Connecting via the RGB input 16
- Connecting the Android™ device 16
  - Connecting an Android device with an HDMI port 16
  - Connecting an Android device with an MHL port 17
- Connecting the MirrorLink™ device 17
- Securing the High Speed HDMI® Cable 18
- Connecting a rear view camera 19
- Connecting the external video component 20
  - Using AV input 20
  - Using an AUX input 21
- Connecting an HDMI device 22
- Connecting the rear display 22

- When using a rear display connected to rear video output 22

## 03 Installation

- Precautions before installation 23
- To avoid electromagnetic interference 23
- Before installing 23
  - For AVIC-8000NEX and AVIC-7000NEX users 24
- Installing this product 24
  - Installation notes 24
  - Parts supplied 25
  - Installation using the screw holes on the side of this product 25
  - Fastening the detachable faceplate 26
- Installing the GPS antenna 27
  - Installation notes 27
  - Parts supplied 27
  - When installing the antenna inside the vehicle (on the dashboard or rear shelf) 28
- Installing the microphone 29
  - Parts supplied 29
  - Mounting on the sun visor 29
  - Installation on the steering column 30
  - Adjusting the microphone angle 30

## 04 After installation

- After installing this product 31

## Precautions

### Your new product and this manual

- The navigation features of this product (and the rear view camera option if purchased) are intended solely to aid you in the operation of your vehicle. It is not a substitute for your attentiveness, judgment and care when driving.
- Never use this product to route to hospitals, police stations, or similar facilities in an emergency. Please call the appropriate emergency number.
- Do not operate this product, any applications, or the rear view camera option (if purchased) if doing so will divert your attention in any way from the safe operation of your vehicle. Always observe safe driving rules and follow all existing traffic regulations. If you experience difficulty in operating this product or reading the display, park your vehicle in a safe location and apply the parking brake before making the necessary adjustments.
- This manual explains how to install this product in your vehicle. Operation of this product is explained in the separate manuals.
- Do not install this product where it may (i) obstruct the driver's vision, (ii) impair the performance of any of the vehicle's operating systems of safety features, including airbags, hazard lamp buttons, or (iii) impair the driver's ability to safely operate the vehicle. In some cases, it may not be possible to install this product because of the vehicle type or the shape of the vehicle interior.
- Model icons shown in this manual indicate that the description is intended for the models indicated by the icons. If the following icon is shown, the description is applied only to the model shown. e.g.)

8000NEX



### Important safeguards



#### WARNING

**Pioneer does not recommend that you install this product yourself. This product is designed for professional installation only. We recommend that only authorized Pioneer service personnel, who have special training and experience in mobile electronics, set up and install this product. NEVER SERVICE THIS PRODUCT YOURSELF. Installing or servicing this product and its connecting cables may expose you to the risk of electric shock or other hazards, and can cause damage to this product that is not covered by warranty.**

- Read this manual fully and carefully before installing this product.
- Keep this manual handy for future reference.
- Pay close attention to all warnings in this manual and follow the instructions carefully.
- This product may in certain circumstances display inaccurate position of your vehicle, the distance of objects shown on the screen, and compass directions. In addition, the system has certain limitations, including the inability to identify one-way streets, temporary traffic restrictions and potentially unsafe driving areas. Please exercise your own judgment in the light of actual driving conditions.
- As with any accessory in your vehicle's interior, this product should not divert your attention from the safe operation of your vehicle as it may result in serious injury or death. If you experience difficulty in operating the system or reading the display, please make adjustments while safely parked.
- Please remember to wear your seat belt at all times while operating your vehicle. If you are in an accident, your injuries can be considerably more severe if your seat belt is not properly buckled.

## Precautions

- Certain country and government laws may prohibit or restrict the placement and use of this product in your vehicle. Please comply with all applicable laws and regulations regarding the use, installation and operation of this product. ▣

## Connection

### Precautions before connecting the system

#### ! WARNING

Do not take any steps to tamper with or disable the parking brake interlock system which is in place for your protection. Tampering with or disabling the parking brake interlock system could result in serious injury or death.

#### ! CAUTION

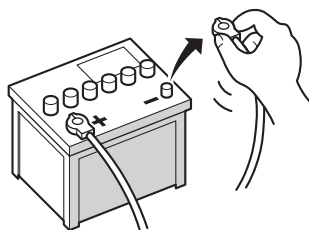
- If you decide to perform the installation yourself, and have special training and experience in the mobile electronics installations, please carefully follow all of the steps in the installation manual.
- Secure all wiring with cable clamps or electrical tape. Do not allow any bare wiring to remain exposed.
- Do not directly connect the yellow lead of this product to the vehicle battery. If the lead is directly connected to the battery, engine vibration may eventually cause the insulation to fail at the point where the wire passes from the passenger compartment into the engine compartment. If the yellow lead's insulation tears as a result of contact with metal parts, short-circuiting can occur, resulting in considerable danger.
- It is extremely dangerous to allow cables to become wound around the steering column or shift lever. Be sure to install this product, its cables, and wiring away in such so that they will not obstruct or hinder driving.
- Make sure that the cables and wires will not interfere with or become caught in any of the vehicle's moving parts, especially the steering wheel, shift lever, parking brake, sliding seat tracks, doors, or any of the vehicle's controls.
- Do not route wires where they will be exposed to high temperatures. If the insulation heats up, wires may become

damaged, resulting in a short circuit or malfunction and permanent damage to the product.

- Do not cut the GPS antenna cable to shorten it or use an extension to make it longer. Altering the antenna cable could result in a short circuit or malfunction.
- Do not shorten any leads. If you do, the protection circuit (fuse holder, fuse resistor or filter, etc.) may fail to work properly.
- Never feed power to other electronic products by cutting the insulation of the power supply lead of this product and taping into the lead. The current capacity of the lead will be exceeded, causing overheating. ▣

### Before installing this product

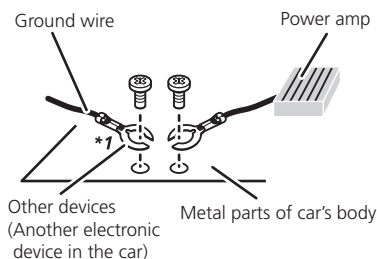
- Use this unit with a 12-volt battery and negative grounding only. Failure to do so may result in a fire or malfunction.
- To avoid shorts in the electrical system, be sure to disconnect the (-) battery cable before installation.



## To prevent damage

### **!** WARNING

- Use speakers over 50 W (output value) and between 4  $\Omega$  to 8  $\Omega$  (impedance value). Do not use 1  $\Omega$  to 3  $\Omega$  speakers for this unit.
- The black cable is ground. When installing this unit or power amp (sold separately), make sure to connect the ground wire first. Ensure that the ground wire is properly connected to metal parts of the car's body. The ground wire of the power amp and the one of this unit or any other device must be connected to the car separately with different screws. If the screw for the ground wire loosens or falls out, it could result in fire generation of smoke or malfunction.



- When replacing the fuse, be sure to only use a fuse of the rating prescribed on this product.
  - When disconnecting a connector, pull the connector itself. Do not pull the lead, as you may pull it out of the connector.
  - This product cannot be installed in a vehicle without ACC (accessory) position on the ignition switch.



ACC position



No ACC position

- To avoid short-circuiting, cover the disconnected lead with insulating tape. It is especially important to insulate all unused speaker leads, which if left uncovered may cause a short circuit.
- Attach the connectors of the same color to the corresponding colored port, i.e., blue connector to the blue port, black to black, etc.
- Refer to the owner's manual for details on connecting the power amp and other units, then make connections accordingly.
- Since a unique BPTL circuit is employed, do not directly ground the  $\ominus$  side of the speaker lead or connect the  $\ominus$  side of another side of the speaker lead together. Be sure to connect the  $\ominus$  side of the speaker lead to the  $\ominus$  side of the speaker lead on this product.

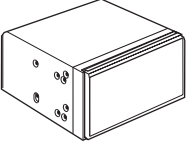
## Notice for the blue/white lead

- When the ignition switch is turned on (ACC ON), a control signal is output through the blue/white lead. Connect to an external power amp's system remote control terminal, the auto-antenna relay control terminal, or the antenna booster power control terminal (max. 300 mA 12 V DC). The control signal is output through the blue/white lead, even if the audio source is switched off.
- Be sure not to use this lead as the power supply lead for the external power amps. Such connection could cause excessive current drain and malfunction.
- Be sure not to use this lead as the power supply lead for the auto-antenna or antenna booster. Such connection could cause excessive current drain and malfunction. ▣

# Connection

## Parts supplied

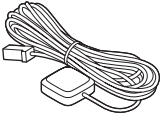
Parts marked (\*) are supplied with AVIC-8000NEX, AVIC-7000NEX and AVIC-6000NEX.



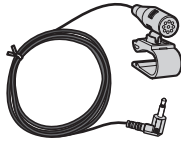
This product



Power cord



GPS antenna



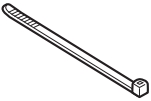
Microphone



Mini-jack extension cable



USB cable



Lock tie\*



## Connecting the power cord (1)

**Yellow**

To terminal supplied with power regardless of ignition switch position.

**Red**

To electric terminal controlled by ignition switch (12 V DC) ON/OFF.

**Orange/white**

To lighting switch terminal.

**Black (ground)**

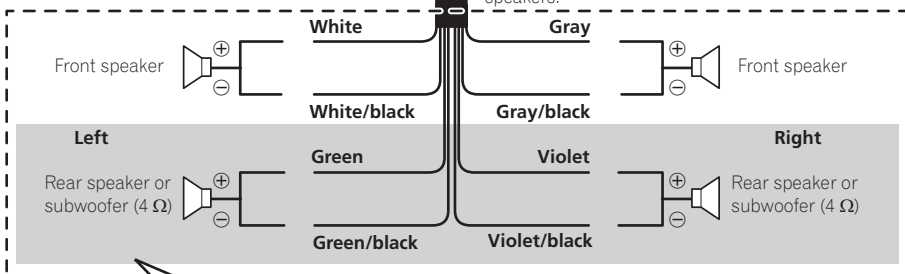
To vehicle (metal) body.



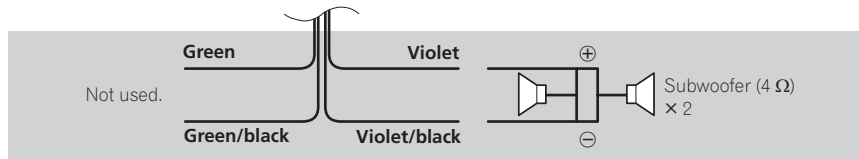
**Note**

When a subwoofer is connected to this product instead of a rear speaker, change the rear output setting in the initial setting. (Refer to Operation Manual.) The subwoofer output of this product is monaural.

With a two-speaker system, do not connect anything to the speaker leads that are not connected to speakers.

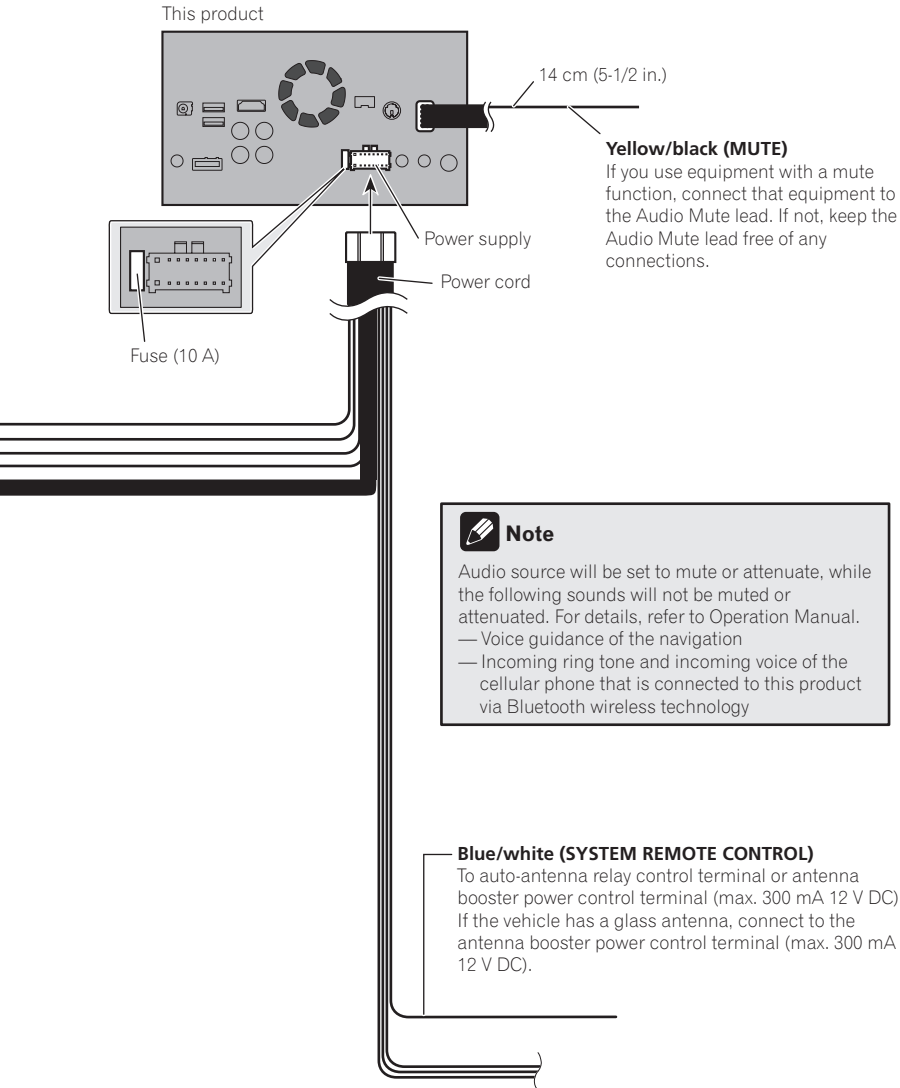


When using a subwoofer of 70 W (2 Ω), be sure to connect with violet and violet/black leads of this product. Do not connect anything with green and green/black leads.





# Connection



## Connecting the power cord (2)

### Pink (CAR SPEED SIGNAL INPUT)

This product is connected here to detect the distance the vehicle travels. Always connect the vehicle's speed detection circuit. Failure to make this connection will increase errors in the vehicle's location display.



### WARNING

**IMPROPER CONNECTION MAY RESULT IN SERIOUS DAMAGE OR INJURY INCLUDING ELECTRICAL SHOCK, AND INTERFERENCE WITH THE OPERATION OF THE VEHICLE'S ANTILOCK BRAKING SYSTEM, AUTOMATIC TRANSMISSION AND SPEEDOMETER INDICATION.**



### CAUTION

It is strongly suggested that the speed pulse wire be connected for accuracy of navigation and better performance.



### Note

The position of the speed detection circuit and the position of the parking brake switch vary depending on the vehicle model. For details, consult your authorized Pioneer dealer or an installation professional.

### Light green (PARKING BRAKE)

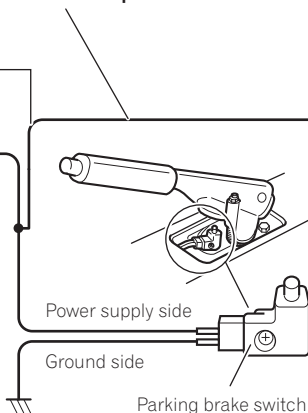
Used to detect the ON/OFF status of the parking brake. This lead must be connected to the power supply side of the parking brake switch.

**If this connection is made incorrectly or omitted, certain functions of this product will be unusable.**

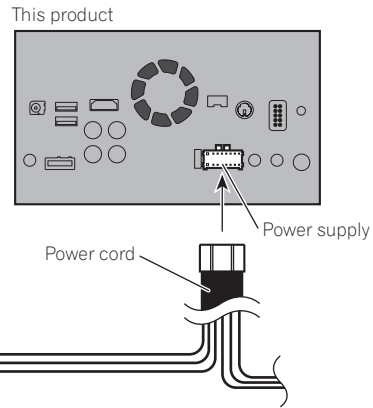


### WARNING

**LIGHT GREEN LEAD AT POWER CONNECTOR IS DESIGNED TO DETECT PARKED STATUS AND MUST BE CONNECTED TO THE POWER SUPPLY SIDE OF THE PARKING BRAKE SWITCH. IMPROPER CONNECTION OR USE OF THIS LEAD MAY VIOLATE APPLICABLE LAW AND MAY RESULT IN SERIOUS INJURY OR DAMAGE.**



# Connection



## Violet/white (REVERSE-GEAR SIGNAL INPUT)

This is connected so that this product can detect whether the vehicle is moving forwards or backwards. Connect the violet/white lead to the lead whose voltage changes when the shift lever is put in reverse. Unless connected, the sensor may not detect your vehicle traveling forward/backward properly, and thus the position of your vehicle detected by the sensor may be misaligned from the actual position.

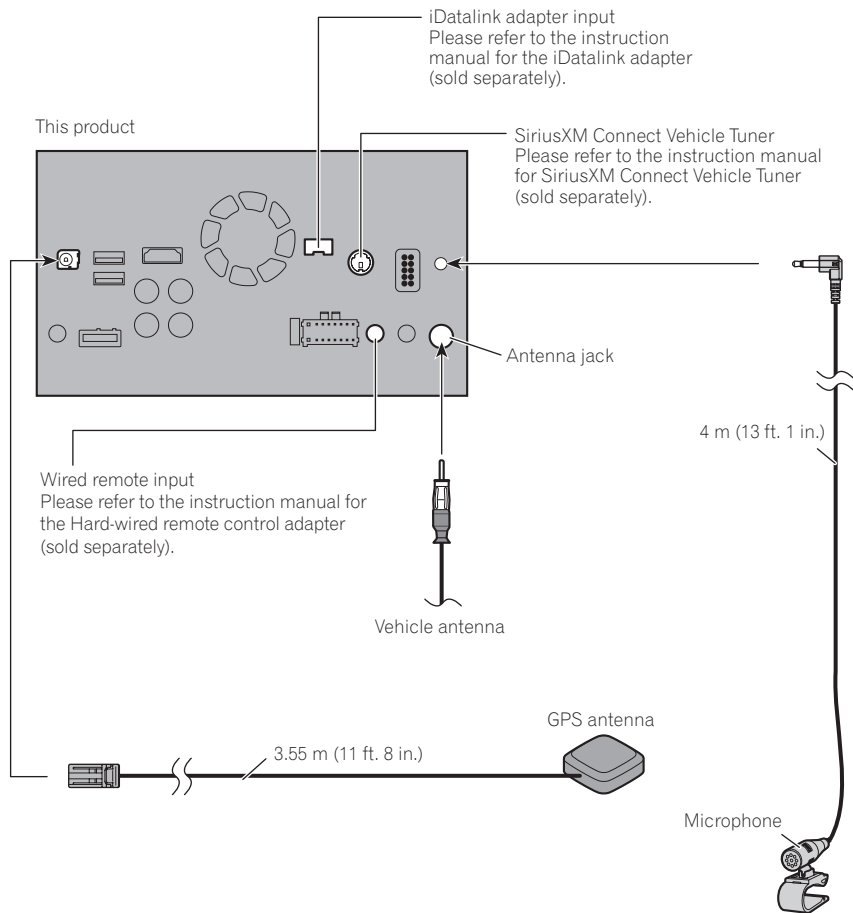


### Note

When you use a rear view camera, please make sure to connect this lead. Otherwise you cannot switch to the rear view camera picture.



## Connecting the system



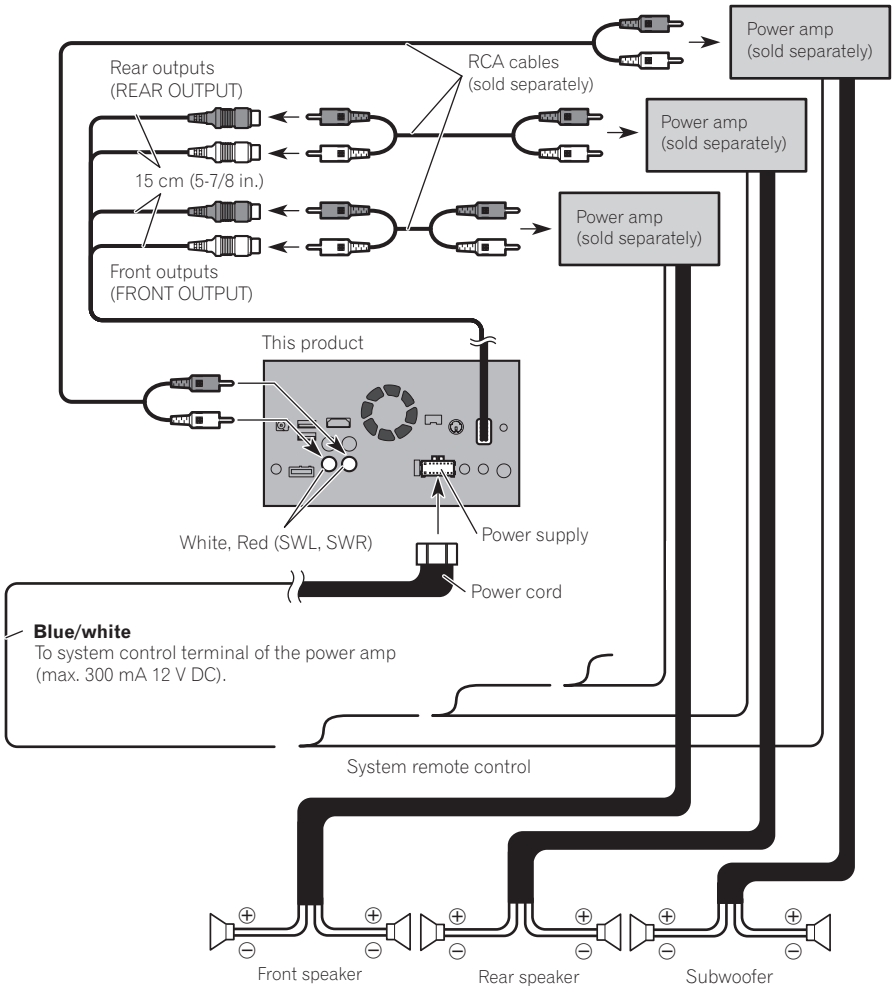
### WARNING

- To avoid the risk of accident and the potential violation of applicable laws, this product should never be used while the vehicle is being driven except for navigation purposes. And, also rear displays should not be in a location where it is a visible distraction to the driver.
- In some countries, the viewing of images on a display inside a vehicle even by persons other than the driver may be illegal. Where such regulations apply they must be obeyed and this product's video source should not be used.



# Connection

## Connecting to separately sold power amp



### Notes

- You can change the RCA output of the subwoofer depending on your subwoofer system. (Refer to Operation Manual.)
- The subwoofer output of this product is monaural.



## Connecting an iPhone with Lightning connector

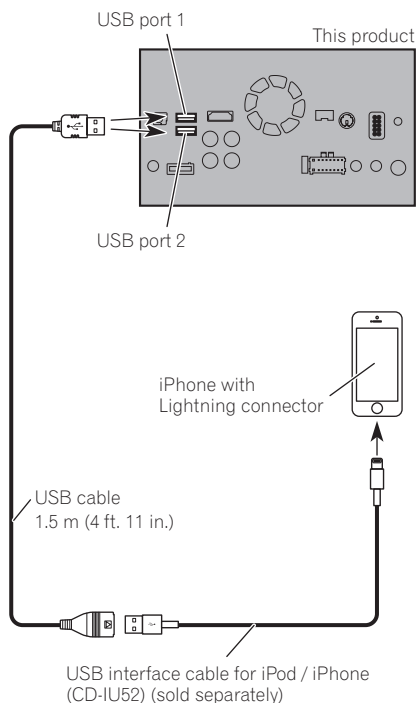


### Notes

- For details on how to connect an external device using a separately sold cable, refer to the manual for the cable.
- For details concerning the connection, operations and compatibility of iPhone, refer to Operation Manual.

## Connecting via the USB port

The USB interface cable for iPod / iPhone (CD-IU52) (sold separately) is required for the connection.

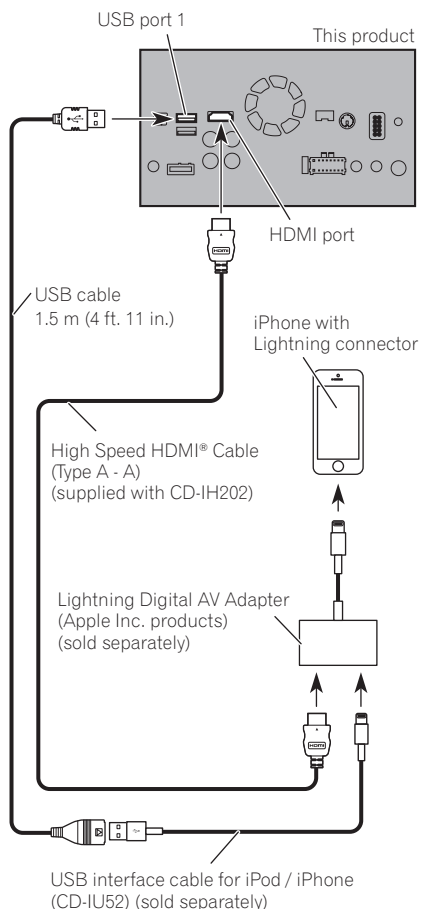


## Connecting via the HDMI port

8000NEX 7000NEX 6000NEX

The following cables are required for the connection.

- HDMI interface cable for iPod / iPhone (CD-IH202) (sold separately)
- USB interface cable for iPod / iPhone (CD-IU52) (sold separately)
- Lightning Digital AV Adapter (Apple Inc. products) (sold separately)



## Connection

### Note

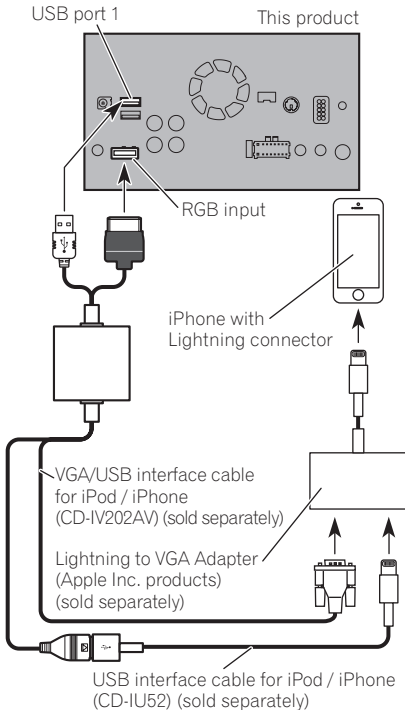
- When you connect the High Speed HDMI® Cable, use the lock tie to fix it securely.
  - For details, refer to *Securing the High Speed HDMI® Cable* on page 18.

## Connecting via the RGB input

5000NEX X8610BS

The following cables are required for the connection.

- VGA/USB interface cable for iPod / iPhone (CD-IV202AV) (sold separately)
- USB interface cable for iPod / iPhone (CD-IU52) (sold separately)
- Lightning to VGA Adapter (Apple Inc. products) (sold separately)



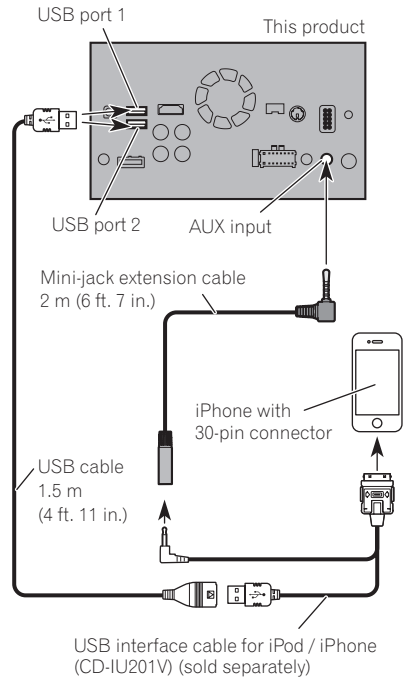
## Connecting an iPhone with 30-pin connector

### Notes

- For details on how to connect an external device using a separately sold cable, refer to the manual for the cable.
- For details concerning the connection, operations and compatibility of iPhone, refer to Operation Manual.

## Connecting via the AUX input

The USB interface cable for iPod / iPhone (CD-IU201V) (sold separately) is required for the connection.

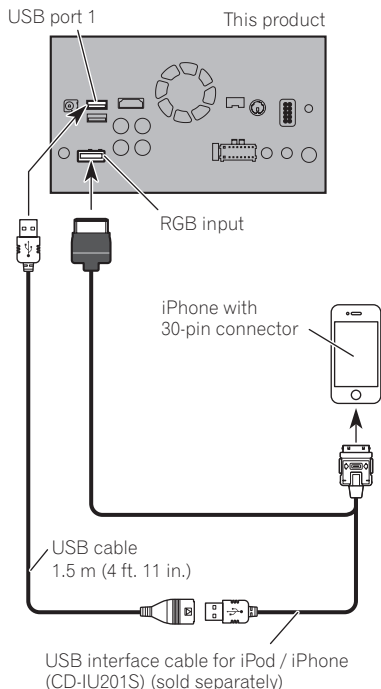


### Note

Connect the USB cable to USB port 1 when using "aha" or "Pandora" as the source.

## Connecting via the RGB input

The USB interface cable for iPod / iPhone (CD-IU201S) (sold separately) is required for the connection.



## Connecting the Android™ device

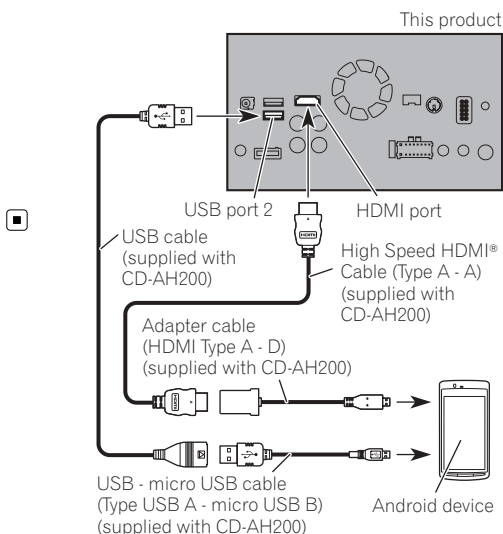
8000NEX 7000NEX 6000NEX

App Connectivity Kit (CD-AH200) (sold separately) is required for the connection.

### Notes

- For details on how to connect an external device using a separately sold cable, refer to the manual for the cable.
- For details concerning the connection and operations of Android device, refer to Operation Manual.
- When you connect the High Speed HDMI® Cable, use the lock tie to fix it securely.
  - ➔ For details, refer to *Securing the High Speed HDMI® Cable* on page 18.

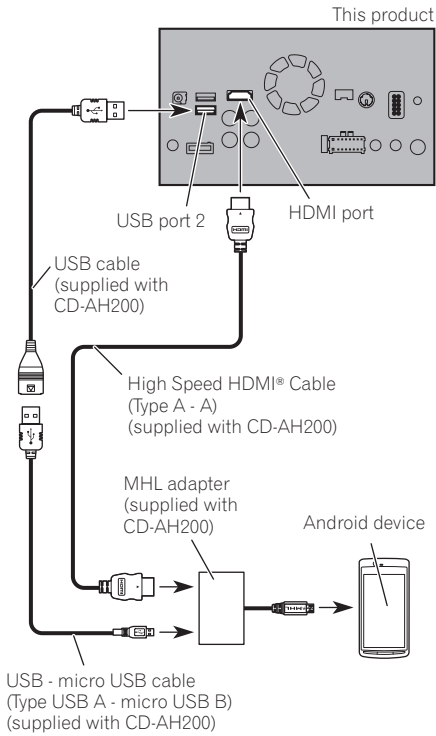
## Connecting an Android device with an HDMI port





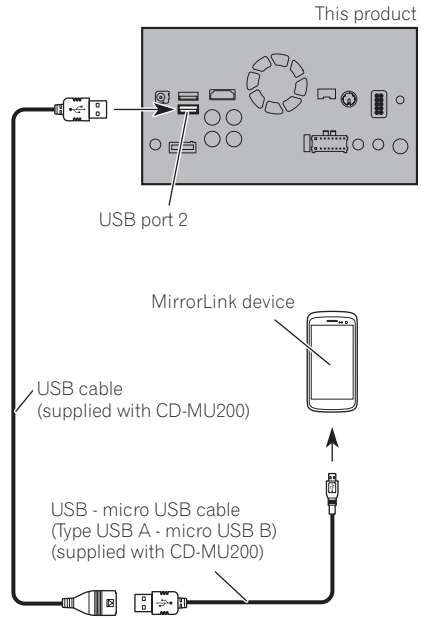
## Connection

### Connecting an Android device with an MHL port



### Connecting the MirrorLink™ device

The USB interface cable for use with MirrorLink™ devices (CD-MU200) (sold separately) is required for the connection.



#### Note

For details on how to connect an external device using a separately sold cable, refer to the manual for the cable. ■

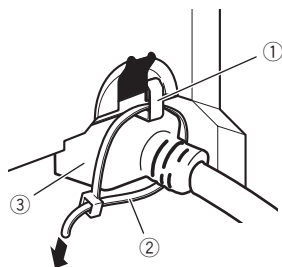
## Securing the High Speed HDMI® Cable

8000NEX 7000NEX 6000NEX

Be sure to fix the High Speed HDMI® Cable with the lock tie, when you connect the external device with the High Speed HDMI® Cable.

**1 Insert the High Speed HDMI® Cable into the HDMI port.**

**2 Wrap the lock tie around the hook above the HDMI port and the High Speed HDMI® Cable, and then tighten it to secure the High Speed HDMI® Cable.**



- ① Hook
- ② Lock tie
- ③ High Speed HDMI® Cable
- ❑ Do not tighten up the lock tie more than necessary. ■

## Connection

### Connecting a rear view camera

When this product is used with a rear view camera, it is possible to automatically switch from the video to rear view image when the shift lever is moved to **REVERSE (R)**. **Camera View** mode also allows you to check what is behind you while driving.



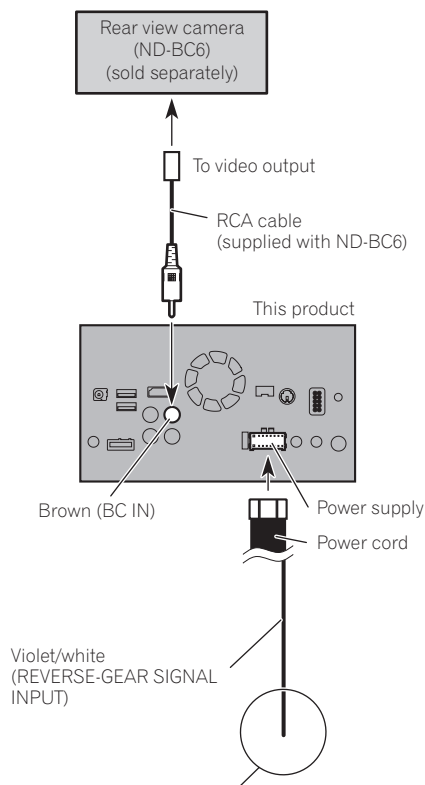
#### WARNING

USE INPUT ONLY FOR REVERSE OR MIRROR IMAGE REAR VIEW CAMERA. OTHER USE MAY RESULT IN INJURY OR DAMAGE.



#### CAUTION

- The screen image may appear reversed.
- The rear view camera is used as an aid to keep an eye on trailers, or backing into a tight parking spot. Do not use this function for entertainment purposes.
- Objects in rear view may appear closer or more distant than in reality.
- Please note that the image area shown by the rear view camera may differ slightly when full-screen images are displayed when backing and when checking the rear of the vehicle while moving forward.



For more details about the wiring, refer to *Connecting the power cord (2)* on page 10.



#### Notes

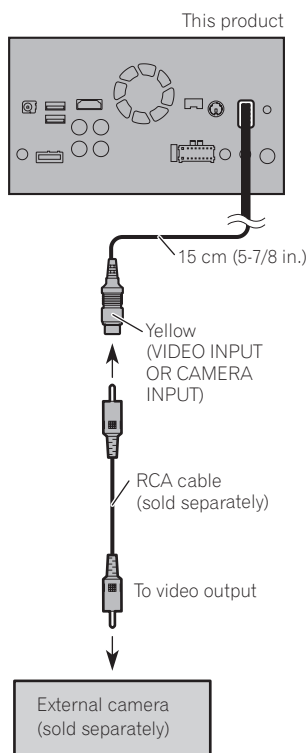
- This mode is available when the rear view camera setting is set to "On". (For details, refer to Operation Manual.)
- Connect this product to the rear view camera only. Do not connect to any other equipment. ▣

## Connecting the external video component

### Using AV input

You can connect an external video component or external camera to this product.

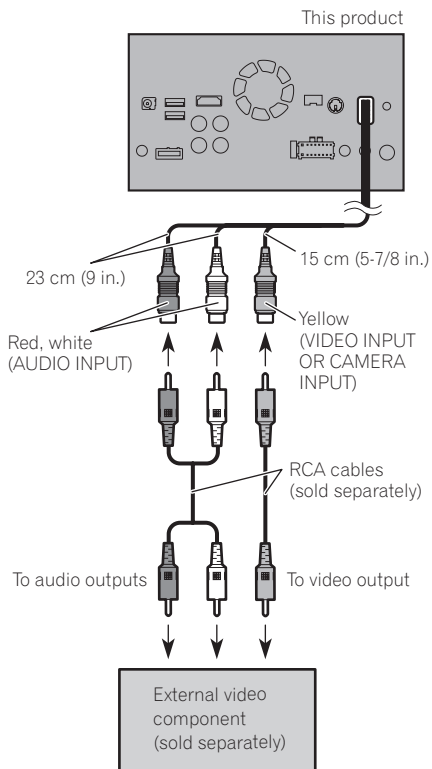
### Connecting an external camera



#### Note

This mode is available when the setting of AV input is set to "Camera". (For details, refer to Operation Manual.)

### Connecting the video component



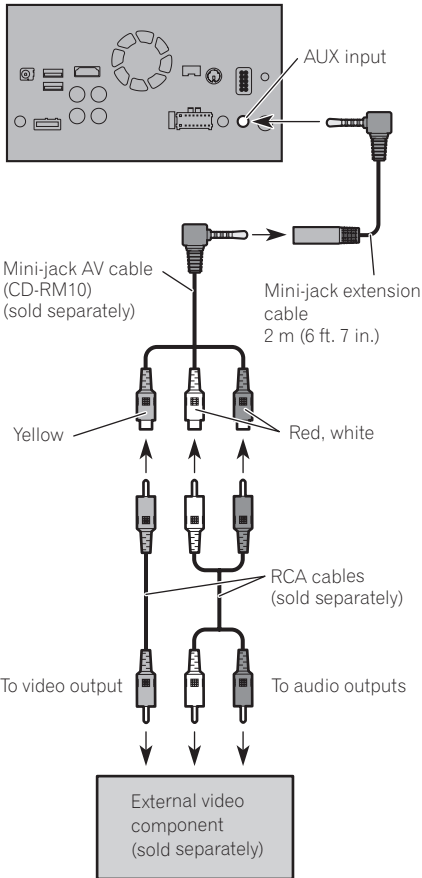
#### Note

This mode is available when the setting of AV input is set to "Source". (For details, refer to Operation Manual.)

# Connection

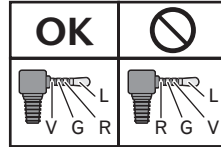
## Using an AUX input

This product



## ⚠ CAUTION

Be sure to use a mini-jack AV cable (CD-RM10) (sold separately) for wiring. If you use other cables, the wiring position might differ resulting in disturbed images and sounds.



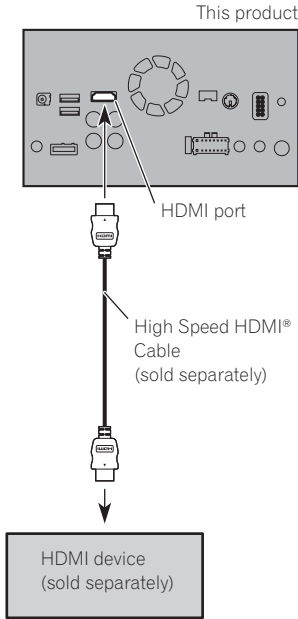
L : Left audio (White)  
 R : Right audio (Red)  
 V : Video (Yellow)  
 G : Ground

## ✎ Notes

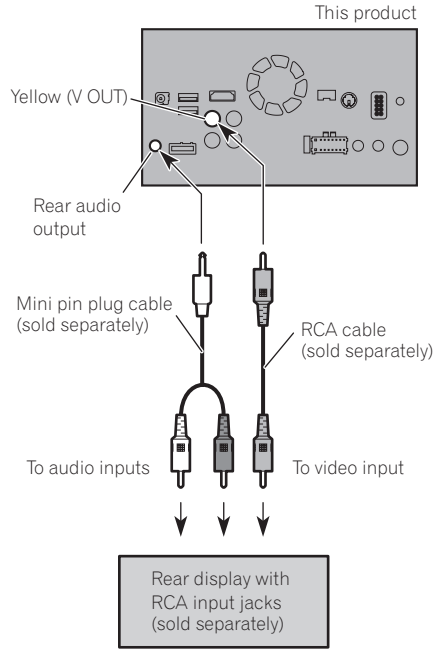
- This mode is available when the setting of AUX input is set to "On". (For details, refer to Operation Manual.)
- When connecting an external video component using a mini-jack AV cable, use a separately sold AUX extension cable as necessary.

## Connecting an HDMI device


8000NEX 7000NEX 6000NEX



## Connecting the rear display




### Notes

- For details concerning the operations of HDMI device, refer to Operation Manual.
- When you connect the High Speed HDMI® Cable, use the lock tie to fix it securely.
  - For details, refer to *Securing the High Speed HDMI® Cable* on page 18. 

## When using a rear display connected to rear video output

### WARNING

**NEVER install the rear display in a location that enables the driver to watch the video source while driving.**

This product's rear video output is for connection of a display to enable passengers in the rear seats to watch the video source. 

## Installation

### Precautions before installation



#### CAUTION

- Never install this product in places where, or in a manner that:
  - Could injure the driver or passengers if the vehicle stops suddenly.
  - May interfere with the driver's operation of the vehicle, such as on the floor in front of the driver's seat, or close to the steering wheel or shift lever.
- Make sure there is nothing behind the dashboard or paneling when drilling holes in them. Be careful not to damage fuel lines, brake lines, electronic components, communication wires or power cables.
- When using screws, do not allow them to come into contact with any electrical lead. Vibration may damage wires or insulation, leading to a short circuit or other damage to the vehicle.
- To ensure proper installation, be sure to use the supplied parts in the manner specified. If any parts are not supplied with this product, use compatible parts in the manner specified after you have the parts' compatibility checked by your dealer. If parts other than supplied or compatible ones are used, they may damage internal parts of this product or they may work loose and the product may become detached.
- It is extremely dangerous to allow cables to become wound around the steering column or shift lever. Be sure to install this product, its cables, and wiring away in such so that they will not obstruct or hinder driving.
- Make sure that leads cannot get caught in a door or the sliding mechanism of a seat, resulting in a short circuit.
- Please confirm the proper function of your vehicle's other equipment after installation of this product.

- Do not install this product where it may (i) obstruct the driver's vision, (ii) impair the performance of any of the vehicle's operating systems or safety features, including airbags, hazard lamp buttons or (iii) impair the driver's ability to safely operate the vehicle.
- Install this product between the driver's seat and front passenger seat so that it will not be hit by the driver or passenger if the vehicle stops quickly.
- Never install this product in front of or next to the place in the dashboard, door, or pillar from which one of your vehicle's airbags would deploy. Please refer to your vehicle's owner's manual for reference to the deployment area of the frontal airbags.
- Failure to follow all of these precautions may result in serious injury or death.

### To avoid electromagnetic interference

In order to prevent interference, set the following items as far as possible from this product, other cables or leads:

- FM, AM antenna and its lead
- GPS antenna and its lead

In addition, you should lay or route each antenna lead as far as possible from other antenna leads. Do not bind, lay or route them together, or cross them. Electromagnetic noise will increase the potential for errors in the vehicle's location display.

### Before installing

- Consult with your nearest dealer if installation requires drilling holes or other modifications of the vehicle.
- Before making a final installation of this product, temporarily connect the wiring to confirm that the connections are correct and the system works properly.

## For AVIC-8000NEX and AVIC-7000NEX users

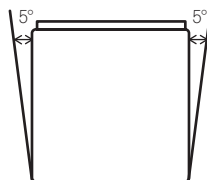
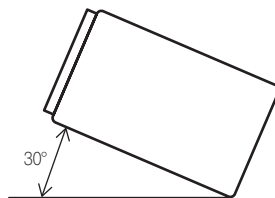
Do not install this product in a position where the opening of the LCD panel is obstructed by any obstacles, such as the shift lever. Before installing this product, be sure to leave sufficient space so that the LCD panel does not obstruct the shift lever when it is fully opened. This may cause interference with the shift lever, or a malfunction of the mechanism of this product. ▣

## Installing this product

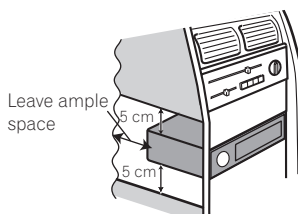
### Installation notes

- Do not install this product in places subject to high temperatures or humidity, such as:
  - Places close to a heater, vent or air conditioner.
  - Places exposed to direct sunlight, such as on top of the dashboard.
  - Places that may be exposed to rain, such as close to the door or on the vehicle's floor.
- Install this product in an area strong enough to bear its weight. Choose a position where this product can be firmly installed, and install it securely. If this product is not securely installed, the current location of the vehicle cannot be displayed correctly.

- Install this product horizontally on a surface within 0 to 30 degrees tolerance (within 5 degrees to the left or right). Improper installation of the unit with the surface tilted more than these tolerances increases the potential for errors in the vehicle's location display, and might otherwise cause reduced display performance.



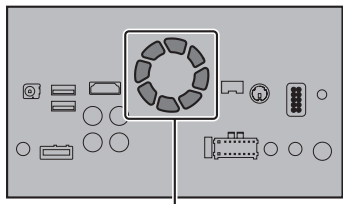
- When installing, to ensure proper heat dispersal when using this unit, make sure you leave ample space behind the rear panel and wrap any loose cables so they are not blocking the vents.





## Installation

- The cords must not cover the area shown in the figure below. This is necessary to allow the amps and navigation mechanism to dissipate heat.

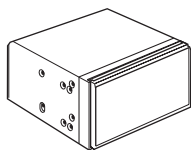


Do not cover this area.

- The semiconductor laser will be damaged if it overheats, so don't install this product anywhere hot — for instance, near a heater outlet.

### Parts supplied

Parts marked (\*) are supplied with AVIC-6000-NEX, AVIC-5000NEX and AVIC-X8610BS.



This product



Truss head screw  
(5 mm × 8 mm)  
(6 pcs.)



Flush surface screw  
(5 mm × 9 mm)  
(6 pcs.)



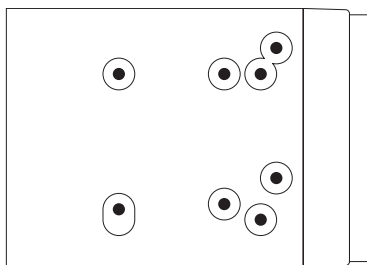
Screw\*  
(2 mm × 4 mm)  
(1 pc.)

### Installation using the screw holes on the side of this product

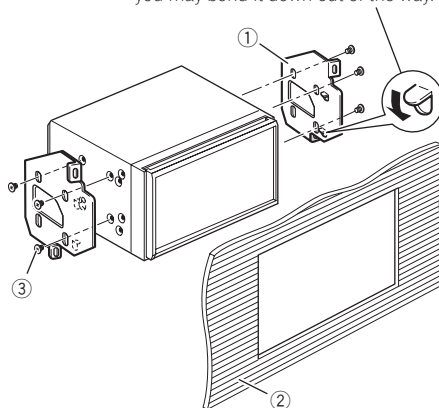
- Fastening this product to the factory radio-mounting bracket.**

Position this product so that its screw holes are aligned with the screw holes of the bracket, and tighten the screws at three locations on each side.

Use either the truss head screws (5 mm × 8 mm) or flush surface screws (5 mm × 9 mm), depending on the shape of the bracket's screw holes.



If the pawl interferes with installation, you may bend it down out of the way.

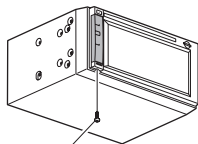


- Factory radio-mounting bracket
- Dashboard or console
- Truss head screw or flush surface screw  
Be sure to use the screws supplied with this product.

## Fastening the detachable faceplate

6000NEX 5000NEX X8610BS

If you do not plan to remove the detachable faceplate, the detachable faceplate can be fastened with the supplied screw.



Screw (2 mm × 4 mm)



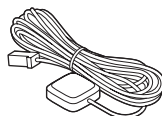
## Installation

### Installing the GPS antenna

#### **CAUTION**

Do not cut the GPS antenna lead to shorten it or use an extension to make it longer. Altering the antenna cable could result in a short circuit or malfunction and permanent damage to this product.

### Parts supplied



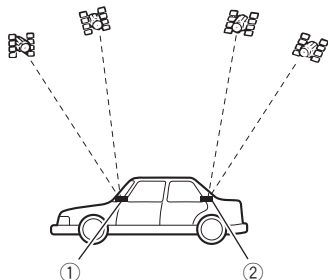
GPS antenna



Metal sheet

### Installation notes

- The antenna should be installed on a level surface where radio waves will be blocked as little as possible. Radio waves cannot be received by the antenna if reception from the satellite is blocked.



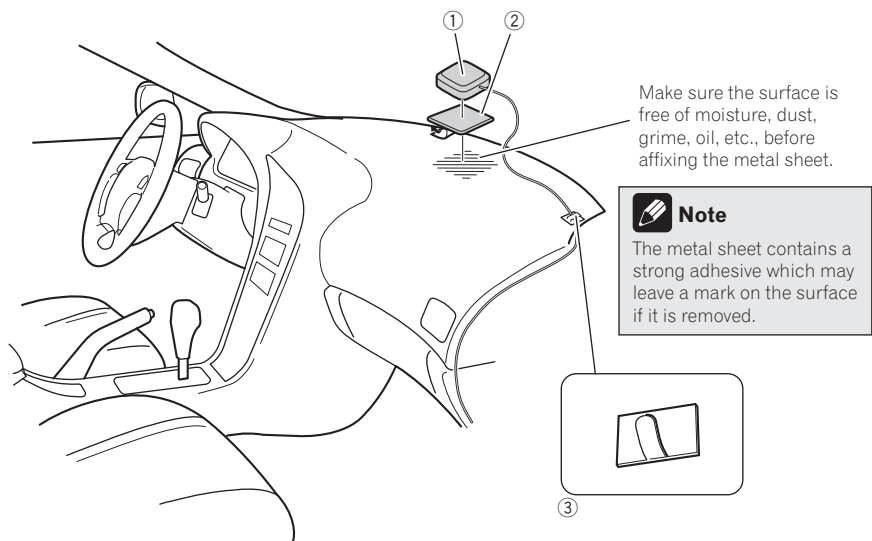
- ① Dashboard
- ② Rear shelf

- When installing the GPS antenna inside the vehicle, be sure to use the metal sheet provided with your system. If this is not used, the reception sensitivity will be poor.
- Do not cut the accessory metal sheet. This would reduce the sensitivity of the GPS antenna.
- Take care not to pull the antenna lead when removing the GPS antenna. The magnet attached to the antenna is very powerful, and the lead may become detached.
- Do not paint the GPS antenna, as this may affect its performance.

## When installing the antenna inside the vehicle (on the dashboard or rear shelf)

### ⚠ WARNING

Do not install the GPS antenna over any sensors or vents on the dashboard of the vehicle, as doing so may interfere with the proper functioning of such sensors or vents and may compromise the ability of the metal sheet under the GPS antenna to properly and securely affix to the dashboard.



① GPS antenna

② Metal sheet  
Peel off the protective sheet on the rear.

③ Clamps  
Use separately sold clamps to secure the lead where necessary inside the vehicle.

Affix the metal sheet on the surface as level as possible where the GPS antenna faces the window. Place the GPS antenna on the metal sheet. (The GPS antenna is fastened with its magnet.)

### ✎ Notes

- When attaching the metal sheet, do not cut it into small pieces.
- Some models use window glass that does not allow signals from GPS satellites to pass through. On such models, install the GPS antenna on the outside of the vehicle.

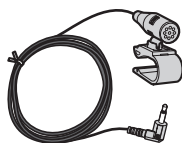


## Installation

### Installing the microphone

- Install the microphone in a place where its direction and distance from the driver make it easiest to pick up the driver's voice.
- Be sure to turn off (ACC OFF) the product before connecting the microphone.

### Parts supplied



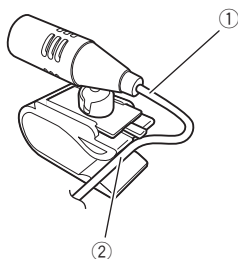
Microphone



Double-sided tape

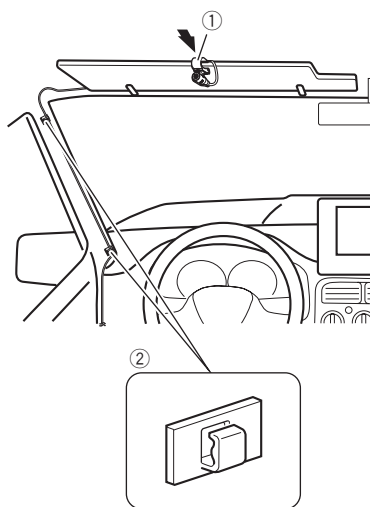
### Mounting on the sun visor

#### 1 Fit the microphone lead into the groove.



- ① Microphone lead  
② Groove

#### 2 Attach the microphone clip to the sun visor.



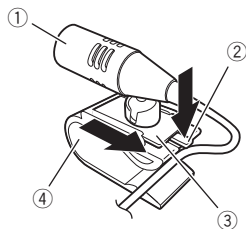
- ① Microphone clip  
② Clamps

Use separately sold clamps to secure the lead where necessary inside the vehicle.

Install the microphone on the sun visor when it is in the up position. It cannot recognize the driver's voice if the sun visor is in the down position.

## Installation on the steering column

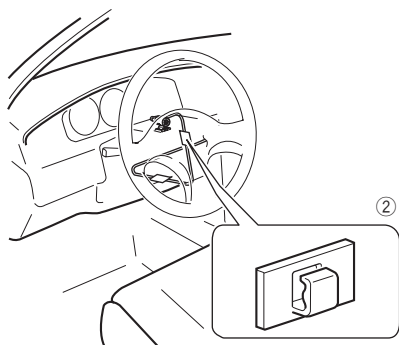
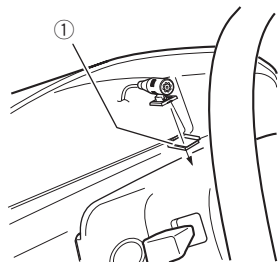
**1 Detach the microphone base from the microphone clip by sliding the microphone base while pressing the tab.**



- ① Microphone
- ② Tab
- ③ Microphone base
- ④ Microphone clip

**2 Mount the microphone on the steering column.**

Install the microphone on the steering column, keeping it away from the steering wheel.



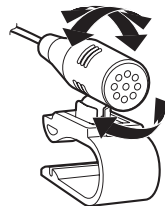
① Double-sided tape

② Clamps

Use separately sold clamps to secure the lead where necessary inside the vehicle.

## Adjusting the microphone angle

The microphone angle can be adjusted.



## After installation

### After installing this product

#### 1 Reconnect the negative (-) terminal of the vehicle's battery.

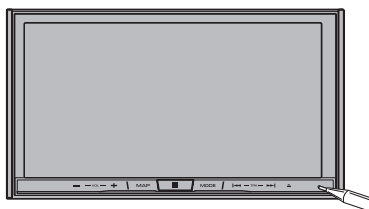
First, double-check that all connections are correct and that this product is installed correctly. Reassemble all vehicle components that you previously removed. Then reconnect the negative (-) cable to the negative (-) terminal of the battery.

#### 2 Start the engine.

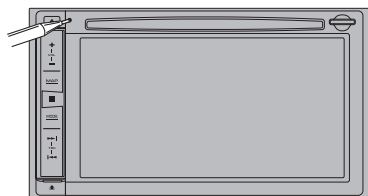
#### 3 Press the RESET button.

Press the **RESET** button on this product with a pointed object such as the tip of a pen.

8000NEX 7000NEX



6000NEX 5000NEX X8610BS



- Some of the settings and recorded contents will not be reset.

#### 4 Change the settings as desired.

- ➔ For details concerning operations, refer to Operation Manual.

#### 5 Drive down an unobstructed road until the GPS starts receiving the signal normally.



#### Note

After installing this product, be sure to check at a safe place that the vehicle is performing normally.

## 01 Précautions

- Votre nouveau produit et ce manuel **33**
- Importantes mesures de sécurité **34**

## 02 Connexion

Précautions à prendre avant de brancher le système **35**

Avant d'installer ce produit **35**

Pour éviter toute détérioration **36**

- Remarque concernant le fil bleu/blanc **37**

Pièces fournies **37**

Branchement du cordon d'alimentation

(1) **38**

Branchement du cordon d'alimentation

(2) **40**

Branchement du système **42**

Connexion à un amplificateur de puissance vendu séparément **43**

Connexion d'un iPhone avec connecteur Lightning **44**

- Connexion via le port USB **44**
- Connexion via le port HDMI **44**
- Connexion via l'entrée RGB **45**

Connexion d'un iPhone avec connecteur à 30broches **45**

- Connexion via l'entrée AUX **45**
- Connexion via l'entrée RGB **46**

Connexion d'un périphérique Android™ **46**

- Connexion d'un périphérique Android via un port HDMI **46**
- Connexion d'un périphérique Android via un port MHL **47**

Connexion d'un périphérique

MirrorLink™ **47**

Fixation du câble HDMI® haute vitesse **48**

Connexion d'une caméra de rétrovisée **49**

Connexion d'un élément vidéo externe **50**

- Utilisation de l'entrée AV **50**

– Utilisation d'une entrée AUX **51**

Connexion d'un périphérique HDMI **52**

Connexion de l'afficheur arrière **52**

- Utilisation d'un écran arrière raccordé à la sortie vidéo arrière **52**

## 03 Installation

Précautions à prendre avant

l'installation **53**

Pour éviter les parasites

électromagnétiques **53**

Avant de procéder à l'installation **54**

- Pour les utilisateurs de AVIC-8000NEX et AVIC-7000NEX **54**

Installation de ce produit **54**

- Remarques sur l'installation **54**
- Pièces fournies **55**
- Installation en utilisant les trous de vis sur les côtés de ce produit **55**
- Fixation de la façade amovible **56**

Installation de l'antenne GPS **57**

- Remarques sur l'installation **57**
- Pièces fournies **57**

- Installation de l'antenne dans le véhicule (sur le tableau de bord ou la lunette arrière) **58**

Installation du microphone **59**

- Pièces fournies **59**
- Installation sur le pare-soleil **59**
- Installation sur la colonne de direction **60**
- Réglage de l'angle du microphone **60**

## 04 Après l'installation

Après avoir installé ce produit **61**



## Précautions

### Votre nouveau produit et ce manuel

- La fonction de navigation de ce produit (et la caméra de rétrovisée en option le cas échéant) est uniquement destinée à vous assister lors de la conduite de votre véhicule. Elle n'autorise en aucun cas un relâchement de votre attention, de votre jugement et de votre vigilance pendant la conduite.
- N'utilisez jamais ce produit pour joindre des hôpitaux, postes de police ou établissements similaires en cas d'urgence. Appelez le numéro d'urgence approprié.
- N'utilisez pas ce produit, n'importe quelle application ou la caméra de rétrovisée en option (le cas échéant) si celui-ci risque d'une façon ou d'une autre de détourner votre attention. Observez toujours les règles de sécurité et respectez toujours les réglementations de la circulation routière en vigueur. Si vous éprouvez des difficultés à utiliser ce produit ou à lire l'écran, gardez votre véhicule en lieu sûr et serrez le frein à main avant d'effectuer les réglages nécessaires.
- Ce manuel explique comment installer ce produit dans votre véhicule. Le fonctionnement de ce produit est expliqué dans les manuels séparés.
- N'installez pas ce produit dans un endroit où il risque (i) d'entraver la visibilité du conducteur, (ii) d'altérer le fonctionnement de certains systèmes de commande des dispositifs de sécurité du véhicule, y compris les airbags ou les touches de feux de détresse, ou (iii) d'empêcher le conducteur de conduire le véhicule en toute sécurité. Dans certains cas, il peut ne pas être possible d'installer ce produit en raison du type de véhicule ou de la forme de l'intérieur du véhicule.
- Les icônes de modèle illustrées dans ce manuel indiquent que la description s'applique aux modèles signalés par les icônes.

Si l'icône suivante s'affiche, la description s'applique uniquement au modèle indiqué, par ex.

8000NEX



## Importantes mesures de sécurité



### AVERTISSEMENT

**Pioneer vous recommande de ne pas installer ce produit vous-même. Ce produit doit être exclusivement installé par un professionnel. Nous recommandons que seul le personnel d'entretien Pioneer agréé, qui dispose d'une formation et d'une expérience spéciales dans l'électronique mobile, configure et installe ce produit. N'INTERVENEZ JAMAIS SUR CE PRODUIT VOUS-MÊME. L'installation ou l'entretien de ce produit et de ses câbles de connexion peut vous exposer à un risque de choc électrique ou à d'autres dangers, et peut entraîner des dommages du produit non couverts par la garantie.**

- Lisez attentivement le contenu de ce manuel avant d'installer ce produit.
  - Conservez ce manuel à portée de main pour vous y reporter ultérieurement.
  - Tenez compte de tous les avertissements formulés dans ce manuel et respectez soigneusement les consignes.
  - Dans certaines circonstances, ce produit peut ne pas afficher la position correcte de votre véhicule, la distance des objets affichés à l'écran et les directions. Le système présente en outre certaines restrictions, notamment l'incapacité d'identifier les rues à sens unique, des limitations temporaires du trafic et des zones potentiellement dangereuses. Adoptez les mesures nécessaires en fonction des conditions de conduite réelles.
  - Comme tout autre accessoire intérieur de votre véhicule, ce produit ne doit pas vous distraire de la bonne conduite de votre véhicule au risque d'entraîner des blessures graves voire mortelles. Si vous éprouvez des difficultés à utiliser le système ou à lire l'afficheur, procédez aux réglages lorsque le véhicule à l'arrêt.
- Veillez à toujours porter votre ceinture de sécurité sur la route. En cas d'accident, le port de la ceinture peut réduire considérablement la gravité des blessures.
  - Certaines lois nationales ou gouvernementales peuvent interdire ou restreindre l'emplacement et l'utilisation de ce produit dans votre véhicule. Veuillez vous conformer à toutes les lois et réglementations en vigueur concernant l'utilisation, l'installation et le fonctionnement de ce produit. 

## Connexion

### Précautions à prendre avant de brancher le système



#### AVERTISSEMENT

N'essayez pas de modifier ou désactiver le système de verrouillage du frein à main, lequel est installé pour votre protection. La modification ou la désactivation du système de verrouillage du frein à main peut entraîner des blessures graves, voire mortelles.



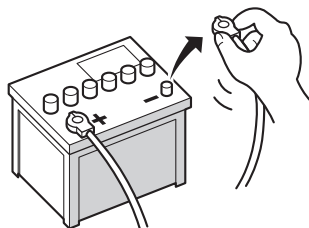
#### ATTENTION

- Si vous décidez de réaliser l'installation vous-même, et possédez une expérience spéciale en installation d'électronique automobile, veuillez suivre attentivement toutes les étapes du manuel d'installation.
- Attachez tous les fils avec des colliers ou des serre-câbles. Ne laissez aucun fil à nu.
- Ne raccordez pas directement le fil jaune conducteur de ce produit à la batterie du véhicule. Si ce fil conducteur est directement raccordé à la batterie, les vibrations du moteur peuvent finir par user les câbles au niveau de la jonction avec l'habitacle et provoquer un défaut d'isolation. Si l'isolation du fil conducteur jaune se déchire sous l'effet du contact avec des pièces métalliques, il peut en résulter un court-circuit extrêmement dangereux.
- Il est extrêmement dangereux de laisser les câbles s'enrouler autour de la colonne de direction ou du levier de vitesse. Assurez-vous d'installer ce produit, ses câbles et les fils de telle façon qu'ils n'obstruent ni ne gênent la conduite.
- Veillez à ce que la trajectoire des câbles et des fils n'interfère pas avec les pièces en mouvement du véhicule. Fixez les câbles de manière à les empêcher d'être happés par, notamment, le volant, le levier de vitesse, le frein à main, les glissières de siège, les portes, ou tout autre élément de commande du véhicule.

- La trajectoire des fils ne doit pas être exposée à des températures élevées. Si l'isolation chauffe, les fils risquent d'être endommagés, ce qui peut entraîner un court-circuit ou un dysfonctionnement, et endommager de manière irréversible le produit.
- Ne coupez pas le câble de l'antenne GPS et n'utilisez pas de rallonge. Une telle modification pourrait provoquer un court-circuit ou un dysfonctionnement.
- Ne raccourcissez aucun fil conducteur. Vous risqueriez autrement de provoquer un dysfonctionnement du circuit de protection (porte-fusibles, résistance de fusible ou filtre, etc.).
- N'utilisez jamais le cordon d'alimentation de ce produit pour raccorder d'autres appareils électriques. La capacité du cordon serait dépassée, ce qui provoquerait une surchauffe. ■

### Avant d'installer ce produit

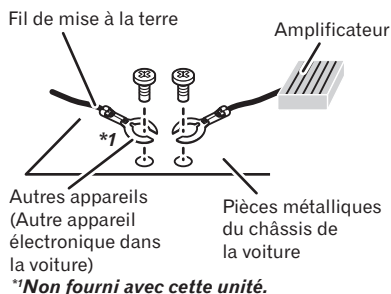
- Utilisez cet appareil uniquement avec une batterie de 12 V, avec pôle négatif à la masse. Sinon, cela pourrait entraîner un incendie ou un mauvais fonctionnement.
- Afin d'éviter tout risque de court-circuit, débranchez le câble de la borne négative (-) de la batterie avant de commencer la pose.



## Pour éviter toute détérioration

### ⚠ AVERTISSEMENT

- Utilisez des haut-parleurs de plus de 50 W (valeur de sortie) et avec une impédance comprise entre 4 Ω et 8 Ω. N'utilisez pas de haut-parleurs 1 Ω à 3 Ω avec cet appareil.
- Le câble noir est celui de la mise à la terre. Lors de l'installation de cette unité ou de l'amplificateur (vendu séparément), connectez toujours le fil de mise à la terre en premier. Assurez-vous que le fil de mise à la terre est correctement connecté aux pièces métalliques du châssis de la voiture. Le fil de mise à la terre de l'amplificateur et celui de cette unité ou de tout autre appareil doivent être connectés séparément à la voiture avec des vis différentes. Si les vis du fil de mise à la terre sont desserrées ou tombent, il pourrait en résulter un incendie ou un dysfonctionnement.



- Lors du remplacement du fusible, veillez à utiliser seulement un fusible du calibre indiqué sur ce produit.
  - Pour débrancher un connecteur, tirez le connecteur proprement dit et non son fil pour éviter de l'arracher.

- Ce produit ne peut pas être installé dans un véhicule qui ne possède pas de position ACC (accessoire) sur le commutateur d'allumage.



Position ACC



Pas de position ACC

- Pour éviter les courts-circuits, recouvrez les fils déconnectés de ruban isolant. Il est particulièrement important d'isoler tous les fils conducteurs de haut-parleurs non utilisés pour éviter tout risque de court-circuit.
- Raccordez les connecteurs de même couleur au port de couleur correspondant, c'est-à-dire le connecteur bleu au port bleu, le noir au noir, etc.
- Pour raccorder l'amplificateur de puissance à d'autres unités, veuillez vous reporter au mode d'emploi concerné.
- Un circuit BPTL unique étant employé, ne reliez pas directement l'extrémité du câble de haut-parleur ⊖ ou ne reliez pas les extrémités des fils conducteurs de haut-parleur ⊖ ensemble. Veillez à relier l'extrémité ⊖ du câble de haut-parleur à l'extrémité ⊖ du câble de haut-parleur de ce produit.

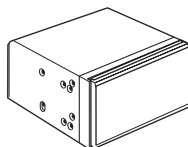
## Connexion

### Remarque concernant le fil bleu/blanc

- Lorsque le commutateur d'allumage est sur Marche (ACC ON), un signal de commande est émis par le biais du fil bleu/blanc. Raccordez-le à une borne de commande à distance du système d'amplificateur de puissance externe, à la prise de commande de relais de l'antenne automatique du véhicule ou au terminal de commande d'alimentation de l'amplificateur d'antenne (max. 300 mA 12 VCC). Le signal de commande est émis par le biais du fil bleu/blanc, même si la source audio est désactivée.
- Assurez-vous de ne pas utiliser ce fil comme câble d'alimentation pour les amplificateurs de puissance externes. Une telle connexion pourrait causer un appel de courant excessif et un mauvais fonctionnement.
- Assurez-vous de ne pas utiliser ce fil comme câble d'alimentation pour l'antenne automatique ou l'amplificateur d'antenne. Une telle connexion pourrait causer un appel de courant excessif et un mauvais fonctionnement. ▣

### Pièces fournies

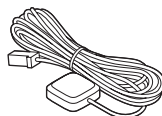
Les parties marquées d'un astérisque (\*) sont fournies avec AVIC-8000NEX, AVIC-7000NEX et AVIC-6000NEX.



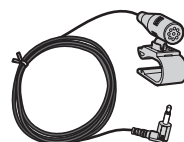
Ce produit



Cordon d'alimentation



Antenne GPS



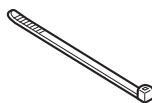
Microphone



Rallonge pour câble mini-jack



Câble USB



Attache de blocage\*



## Branchement du cordon d'alimentation (1)

### Jaune

Vers la borne fournie avec l'alimentation quelle que soit la position du contacteur d'allumage.

### Rouge

Vers la borne électrique commandée par le contacteur d'allumage (12 VCC) ON/OFF.

### Orange/blanc

Vers la borne du contacteur d'éclairage.

### Noir (masse)

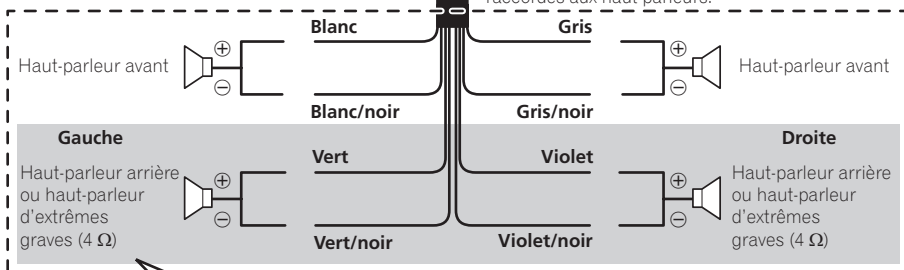
Vers la carrosserie (métal) du véhicule.



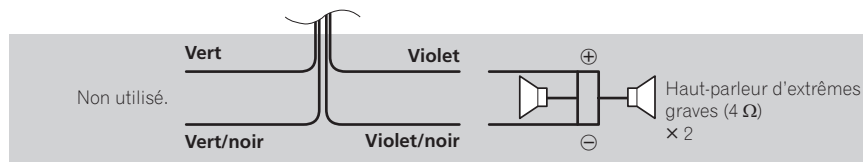
### Remarque

Lorsqu'un haut-parleur d'extrêmes graves est connecté à ce produit à la place d'un haut-parleur arrière, modifiez la sortie arrière dans le réglage initial. (Reportez-vous au Manuel de fonctionnement.) La sortie du haut-parleur d'extrêmes graves de ce produit est monoaurale.

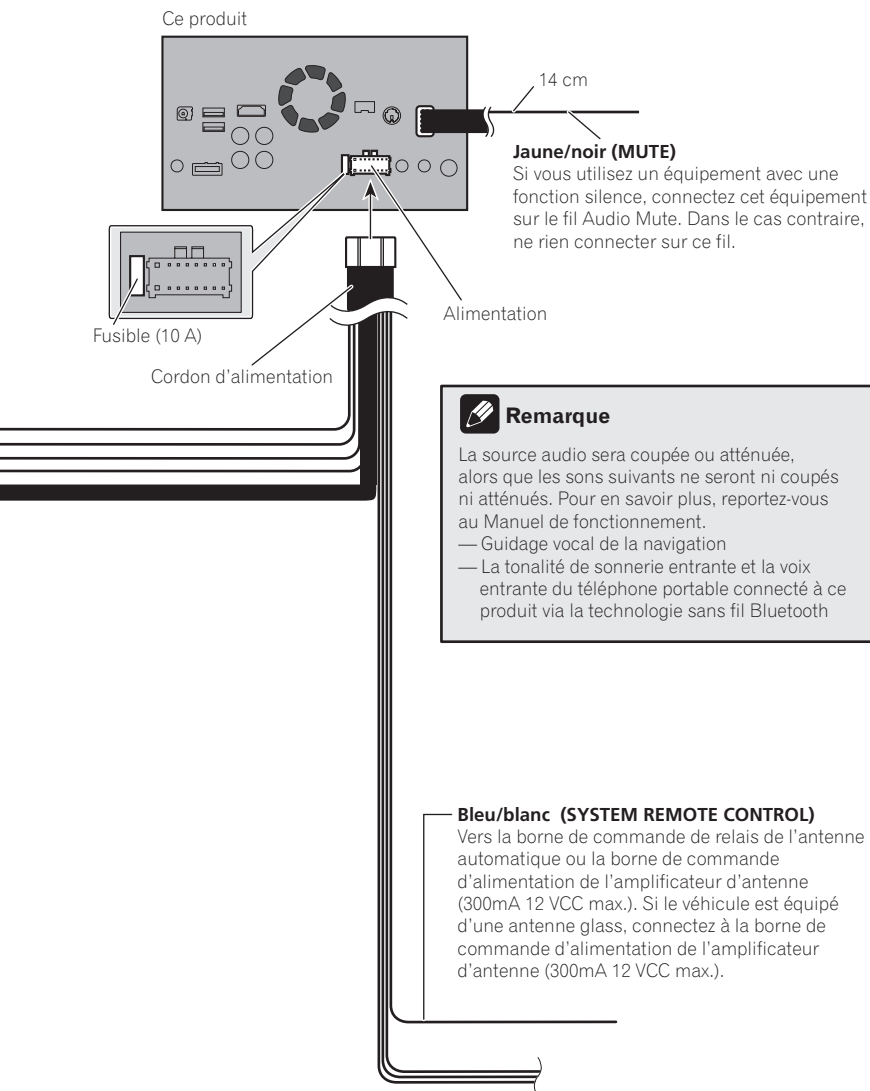
Dans un système à deux haut-parleurs, ne rien connecter sur les fils de haut-parleur non raccordés aux haut-parleurs.



En cas d'utilisation d'un haut-parleur d'extrêmes graves de 70 W (2 Ω), veiller à connecter les fils violet et violet/noir de ce produit. Ne rien connecter sur les fils vert et vert/noir.



# Connexion



## Branchement du cordon d'alimentation (2)

### Rose (CAR SPEED SIGNAL INPUT)

Ce produit est connecté ici pour détecter la distance parcourue par le véhicule. Toujours connecter le circuit de détection de vitesse du véhicule. Ne pas procéder à cette connexion augmente les erreurs dans l'afficheur d'emplacement du véhicule.



### AVERTISSEMENT

**UN RACCORDEMENT INCORRECT PEUT ÊTRE À L'ORIGINE DE DÉGÂT OU BLESSURE GRAVE, NOTAMMENT UNE ÉLECTROCUTION ET UNE INTERFÉRENCE AVEC LE FONCTIONNEMENT DU SYSTÈME DE FREINAGE ANTIBLOCADE DU VÉHICULE, DE LA BOÎTE DE VITESSES AUTOMATIQUE ET DE L'AFFICHAGE DU COMPTEUR DE VITESSE.**



### ATTENTION

**Il est vivement conseillé de connecter le fil de vitesse pour une navigation plus précise et de meilleurs performances.**



### Remarque

La position du circuit de détection de vitesse et la position du contacteur de frein à main varient selon le modèle du véhicule. Pour plus de détails, contactez votre revendeur Pioneer agréé ou un installateur professionnel.

### Vert clair (PARKING BRAKE)

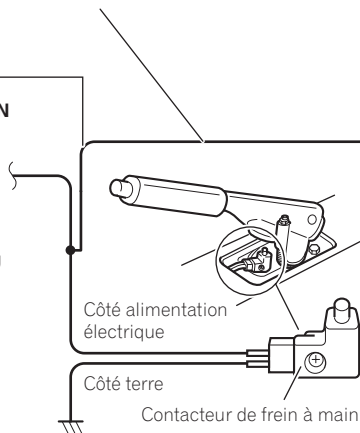
Usato per rilevare lo stato ON/OFF del freno di stazionamento. Questo cavetto deve essere collegato al lato alimentazione dell'interruttore del freno di stazionamento.

**Si cette connexion est incorrecte ou omise, certaines fonctions de ce produit ne pourront pas être utilisées.**



### AVERTISSEMENT

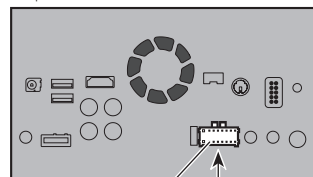
**LE FIL VERT CLAIR DU CONNECTEUR D'ALIMENTATION EST CONÇU POUR DÉTECTER L'ÉTAT DE STATIONNEMENT ET DOIT ÊTRE BRANCHÉ CÔTÉ ALIMENTATION ÉLECTRIQUE DU CONTACTEUR DE FREIN À MAIN. UNE CONNEXION OU UNE UTILISATION INAPPROPRIÉE DE CE FIL PEUT ÊTRE ILLÉGALE À L'ÉGARD DE LA LOI EN VIGUEUR ET RISQUE D'ENTRAÎNER DES BLESSURES SÉRIEUSES OU DES DOMMAGES.**





# Connexion

Ce produit



Alimentation

Cordon d'alimentation



## Violet/blanc (REVERSE-GEAR SIGNAL INPUT)

Il est connecté afin que ce produit puisse détecter si le véhicule avance ou recule. Connectez le fil violet/blanc sur le fil dont la tension varie lorsque la marche arrière est enclenchée. S'il n'est pas connecté, le capteur peut ne pas détecter correctement la marche avant/arrière de votre véhicule, et la position de votre véhicule détectée par le capteur peut donc ne pas correspondre à la position réelle.

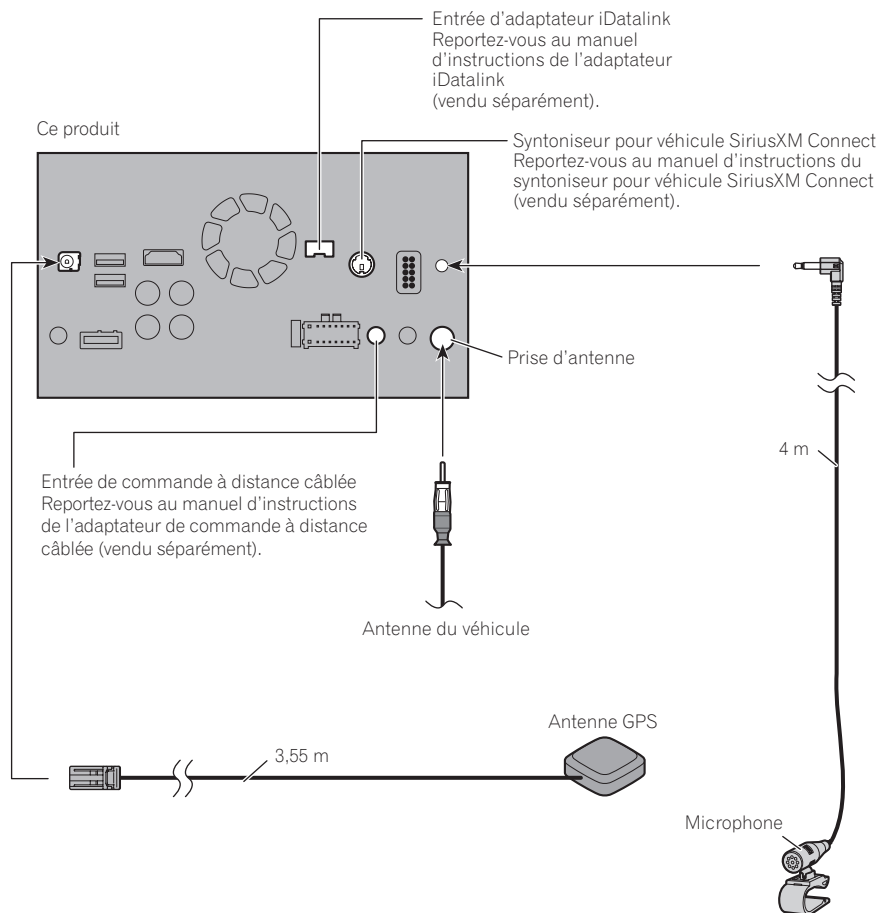


### Remarque

Lorsque vous utilisez une caméra de rétrovisée, veuillez à connecter ce fil. Dans le cas contraire, vous ne pouvez pas afficher l'image de la caméra de rétrovisée.



## Branchement du système



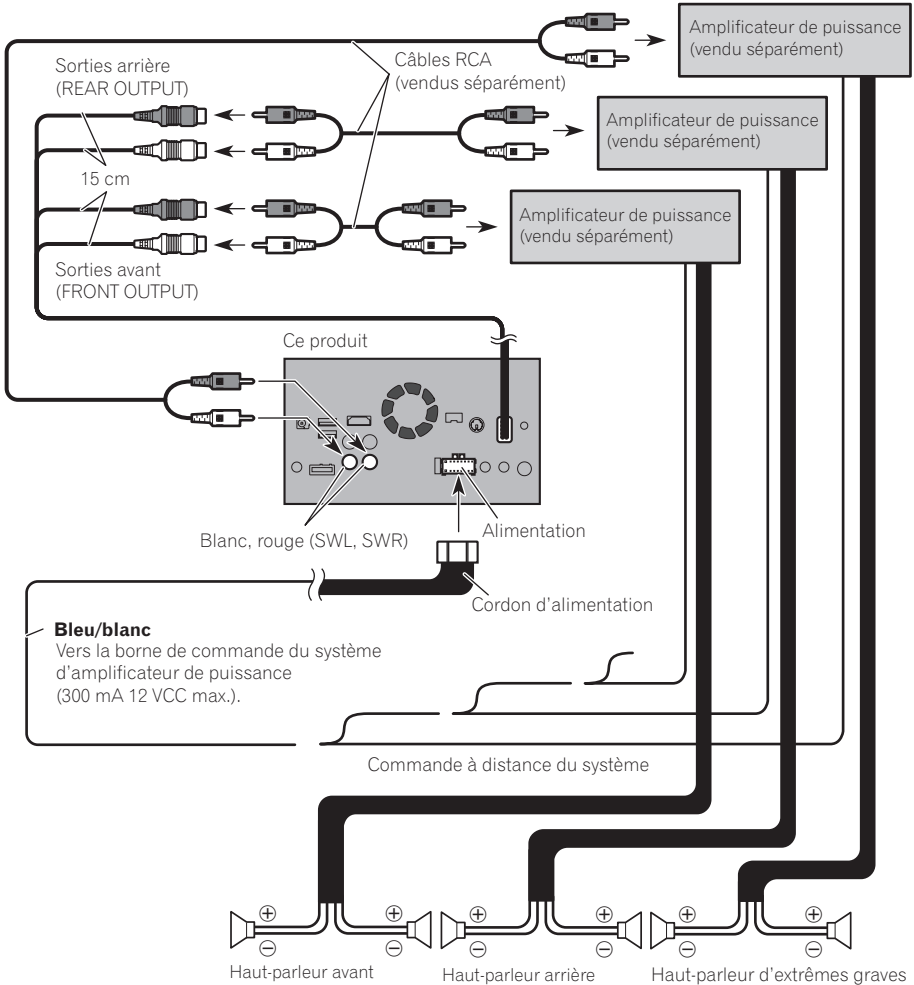
### AVERTISSEMENT

- Pour éviter le risque d'un accident et une possible infraction aux lois en vigueur, ce produit ne doit en aucun cas être utilisé alors que le véhicule roule sauf à des fins de navigation. Par ailleurs, les écrans arrière ne doivent pas être placés là où ils pourraient représenter une distraction pour le conducteur.
- Dans certains pays, le fait de regarder des images sur un afficheur dans une voiture est illégal, même s'il s'agit d'autres personnes que le conducteur. Lorsqu'il existe de telles règles, vous devez vous y conformer et la source vidéo de ce produit ne doit pas être utilisée.



# Connexion

## Connexion à un amplificateur de puissance vendu séparément



### Remarques

- Vous pouvez modifier la sortie RCA du haut-parleur d'extrêmes graves en fonction de votre système de haut-parleur d'extrêmes graves. (Reportez-vous au Manuel de fonctionnement.)
- La sortie du haut-parleur d'extrêmes graves de ce produit est monaurale.

## Connexion d'un iPhone avec connecteur Lightning

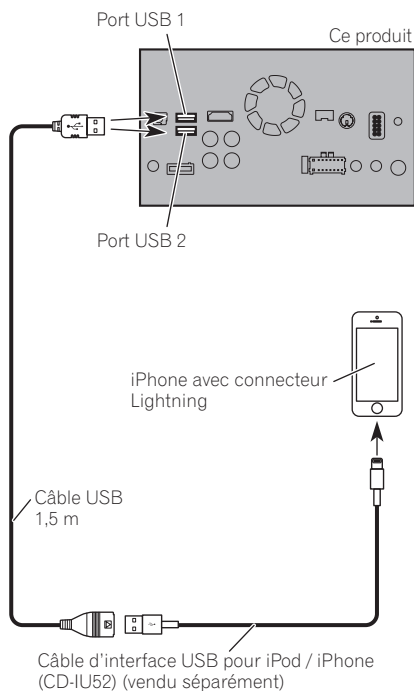


### Remarques

- Pour en savoir plus sur la connexion d'un périphérique externe à l'aide d'un câble vendu séparément, reportez-vous au manuel du câble.
- Pour en savoir plus sur la connexion, le fonctionnement et la compatibilité d'un iPhone, reportez-vous au Manuel de fonctionnement.

## Connexion via le port USB

Le câble d'interface USB pour iPod / iPhone (CD-IU52) (vendu séparément) est nécessaire pour la connexion.

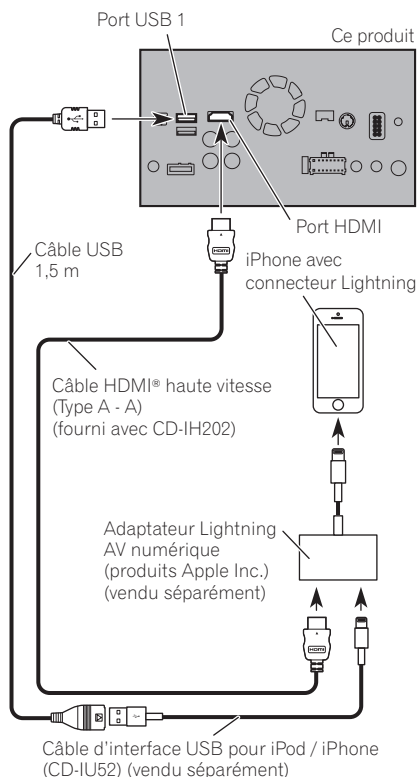


## Connexion via le port HDMI

8000NEX 7000NEX 6000NEX

Les câbles suivants sont nécessaires pour la connexion.

- Câble d'interface HDMI pour iPod / iPhone (CD-IH202) (vendu séparément)
- Câble d'interface USB pour iPod / iPhone (CD-IU52) (vendu séparément)
- Adaptateur Lightning AV numérique (produits Apple Inc.) (vendu séparément)



### Remarque

- Lorsque vous connectez le câble HDMI® haute vitesse, utilisez l'attache de blocage pour le fixer fermement.

## Connexion

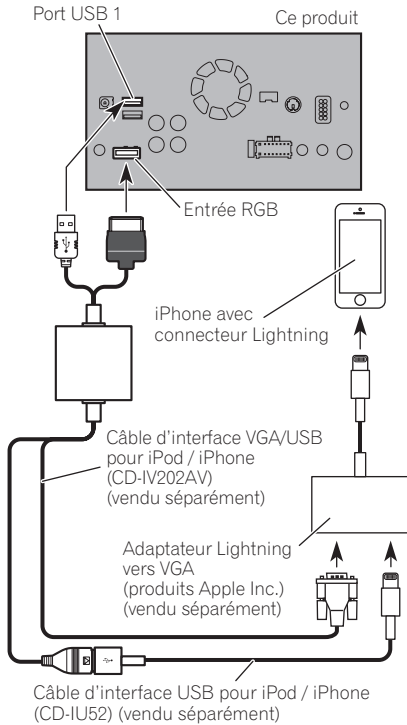
- ➔ Pour en savoir plus, reportez-vous à la page 48, *Fixation du câble HDMI® haute vitesse.*

### Connexion via l'entrée RGB

5000NEX X8610BS

Les câbles suivants sont nécessaires pour la connexion.

- Câble d'interface VGA/USB pour iPod / iPhone (CD-IV202AV) (vendu séparément)
- Câble d'interface USB pour iPod / iPhone (CD-IU52) (vendu séparément)
- Adaptateur Lightning vers VGA (produits Apple Inc.) (vendu séparément)



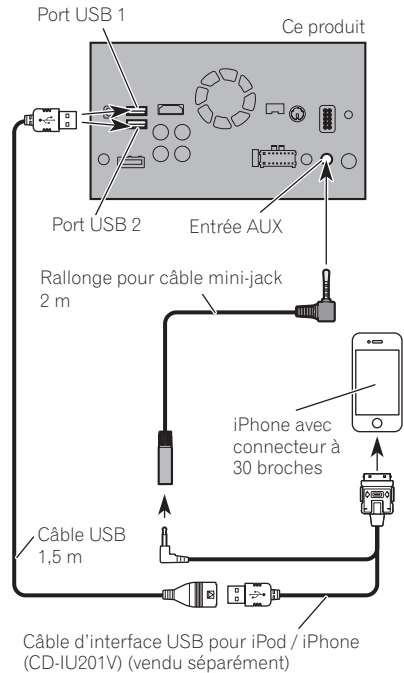
### Connexion d'un iPhone avec connecteur à 30 broches

#### Remarques

- Pour en savoir plus sur la connexion d'un périphérique externe à l'aide d'un câble vendu séparément, reportez-vous au manuel du câble.
- Pour en savoir plus sur la connexion, le fonctionnement et la compatibilité d'un iPhone, reportez-vous au Manuel de fonctionnement.

### Connexion via l'entrée AUX

Le câble d'interface USB pour iPod / iPhone (CD-IU201V) (vendu séparément) est nécessaire pour la connexion.

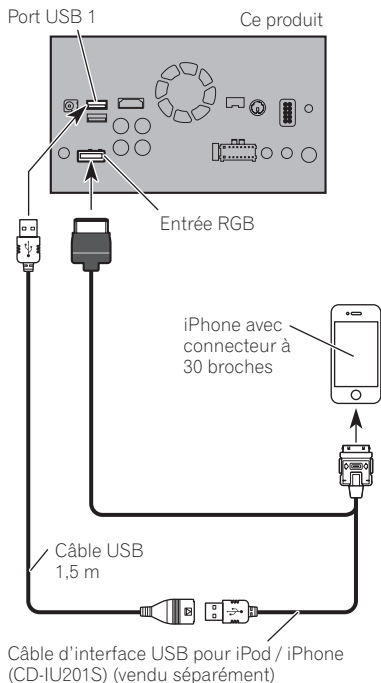


#### Remarque

Connectez le câble USB au port USB 1 lors de l'utilisation de "aha" ou "Pandora" comme source.

## Connexion via l'entrée RGB

Le câble d'interface USB pour iPod / iPhone (CD-IU201S) (vendu séparément) est nécessaire pour la connexion.



## Connexion d'un périphérique Android™

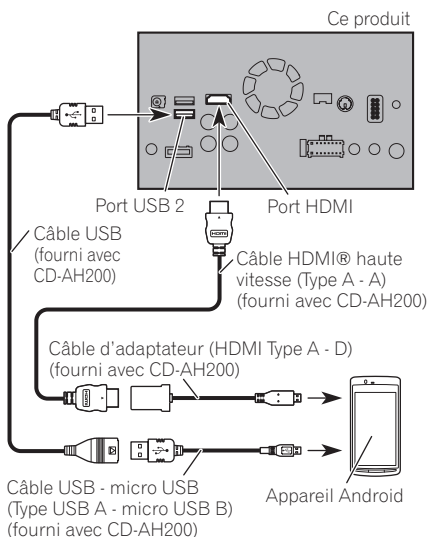
8000NEX 7000NEX 6000NEX

Le kit de connexion aux applications (CD-AH200) (vendu séparément) est nécessaire pour la connexion.

### Remarques

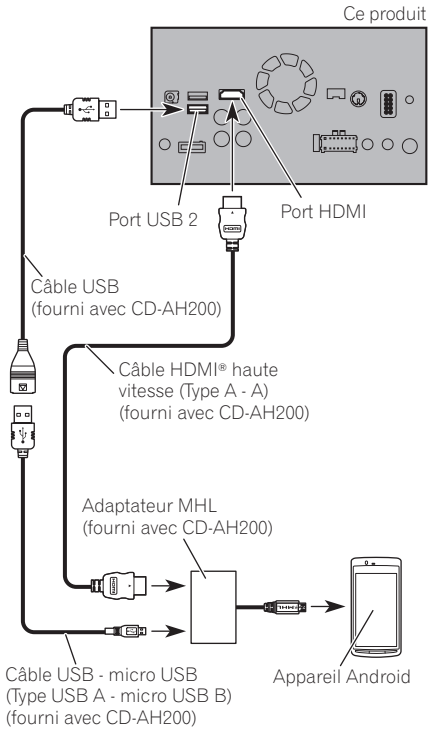
- Pour en savoir plus sur la connexion d'un périphérique externe à l'aide d'un câble vendu séparément, reportez-vous au manuel du câble.
- Pour en savoir plus sur la connexion et le fonctionnement du périphérique Android, reportez-vous au Manuel de fonctionnement.
- Lorsque vous connectez le câble HDMI® haute vitesse, utilisez l'attache de blocage pour le fixer fermement.
  - ➔ Pour en savoir plus, reportez-vous à la page 48, *Fixation du câble HDMI® haute vitesse*.

## Connexion d'un périphérique Android via un port HDMI



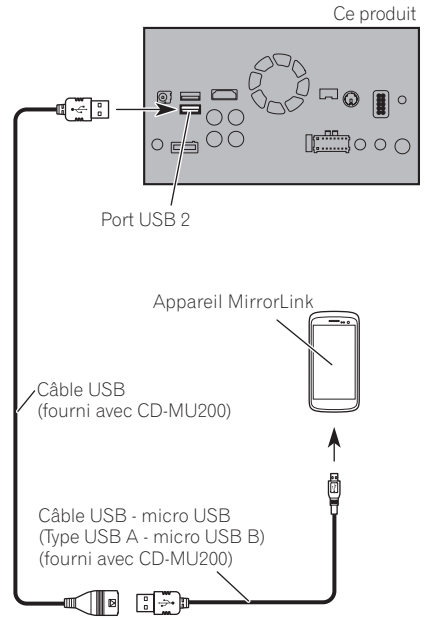
## Connexion

### Connexion d'un périphérique Android via un port MHL




### Connexion d'un périphérique MirrorLink™

Le câble d'interface USB utilisé avec les périphériques MirrorLink™ (CD-MU200) (vendu séparément) est nécessaire pour la connexion.



#### Remarque

Pour en savoir plus sur la connexion d'un périphérique externe à l'aide d'un câble vendu séparément, reportez-vous au manuel du câble. 

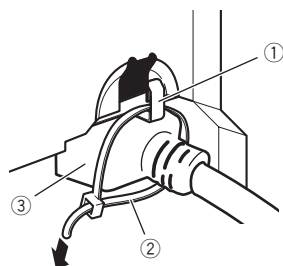
## Fixation du câble HDMI® haute vitesse

8000NEX 7000NEX 6000NEX

Veillez à fixer le câble HDMI® haute vitesse à l'aide de l'attache de blocage lorsque vous connectez un périphérique externe à l'aide du câble HDMI® haute vitesse.

**1 Insérez le câble HDMI® haute vitesse dans le port HDMI.**

**2 Enroulez l'attache de blocage autour du crochet situé au-dessus du port HDMI et du câble HDMI® haute vitesse, puis serrez-la afin de fixer le câble HDMI® haute vitesse.**



① Crochet

② Attache de blocage

③ Câble HDMI® haute vitesse

❑ Ne serrez pas l'attache de blocage plus que nécessaire. ■



## Connexion

### Connexion d'une caméra de rétrovisée

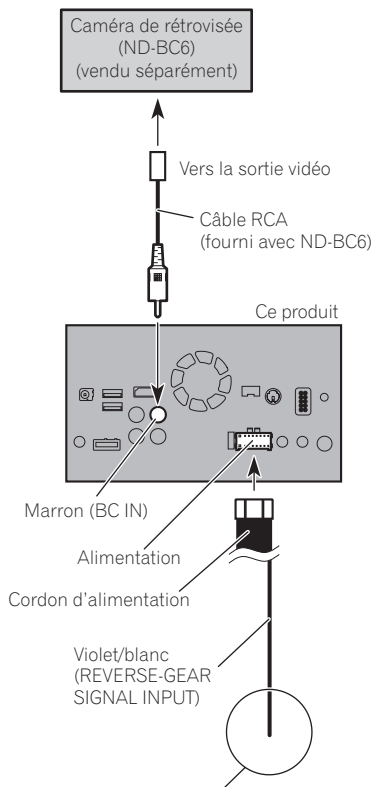
Quand ce produit est utilisé avec une caméra de rétrovisée, il est possible de commuter automatiquement entre le signal vidéo et l'image de rétrovisée quand le levier de vitesse est placé sur la position **REVERSE (R)**. Le mode **Point de vue de la caméra** vous permet également de vérifier ce qu'il y a derrière le véhicule quand vous conduisez.

#### ⚠ AVERTISSEMENT

UTILISEZ L'ENTRÉE UNIQUEMENT POUR LA MARCHÉ ARRIÈRE OU L'IMAGE INVERSÉE DE LA CAMÉRA DE RÉTROVISÉE. TOUTE AUTRE UTILISATION PEUT ENTRAÎNER DES BLESSURES CORPORELLES OU UNE DÉTÉRIORATION DE L'APPAREIL.

#### ⚠ ATTENTION

- L'image de l'écran peut apparaître inversée.
- La caméra de rétrovisée est à utiliser en tant qu'aide pour surveiller une caravane, ou pour se garer en marche arrière dans un emplacement de parking un peu étroit. N'utilisez pas cette fonction dans un but de divertissement.
- Les objets dans la caméra de rétrovisée peuvent paraître plus proches ou plus éloignés qu'en réalité.
- Veuillez noter que la zone de l'image affichée par la caméra de rétrovisée peut légèrement différer selon que les images plein écran sont affichées en marche arrière, ou que vous vérifiez ce qui se passe à l'arrière du véhicule en marche avant.



Pour en savoir plus à propos des raccordements, reportez-vous à la page 40, *Branchement du cordon d'alimentation (2)*.

#### ✎ Remarques

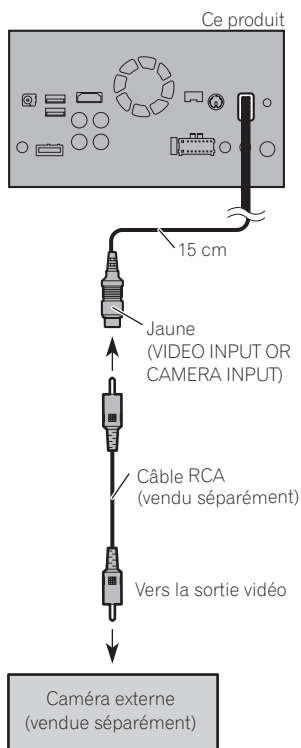
- Ce mode est disponible lorsque le réglage de la caméra de rétrovisée est placé sur "**Marche**". (Pour en savoir plus, reportez-vous au Manuel de fonctionnement.)
- Ne branchez que ce produit sur la caméra de rétrovisée. N'y raccordez aucun autre appareil. ▣

## Connexion d'un élément vidéo externe

### Utilisation de l'entrée AV

Vous pouvez connecter un élément vidéo externe ou une caméra externe à ce produit.

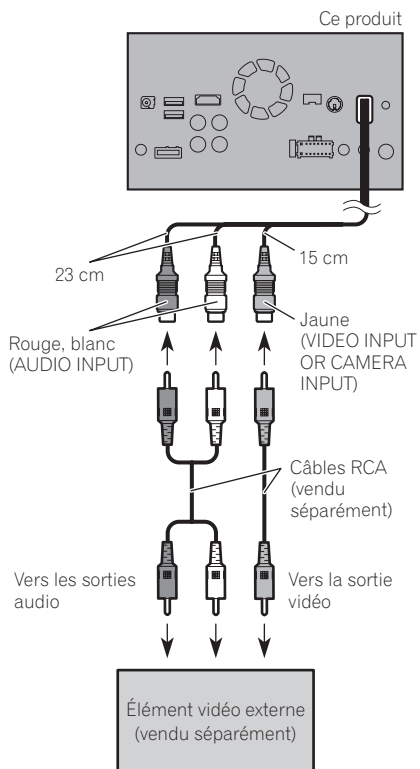
### Connexion d'une caméra externe



#### Remarque

Ce mode est disponible lorsque le réglage de l'entrée AV est défini sur "**Caméra**". (Pour en savoir plus, reportez-vous au Manuel de fonctionnement.)

## Connexion d'un composant vidéo



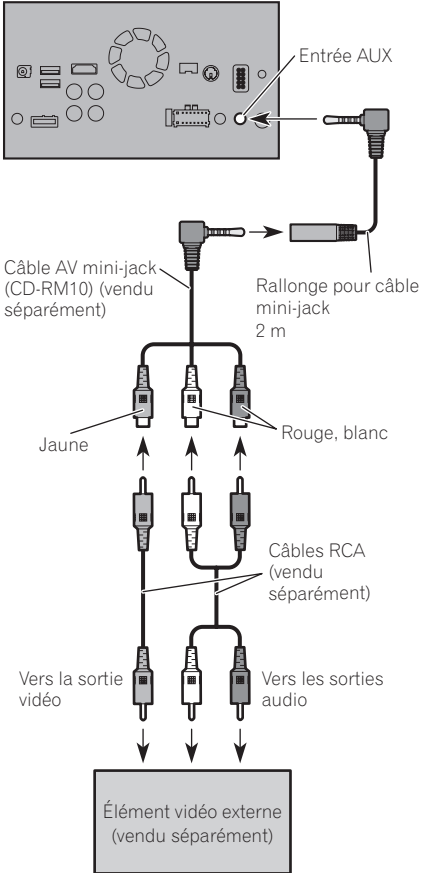
#### Remarque

Ce mode est disponible lorsque le réglage de l'entrée AV est défini sur "**Source**". (Pour en savoir plus, reportez-vous au Manuel de fonctionnement.)

# Connexion

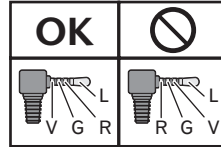
## Utilisation d'une entrée AUX

Ce produit



## ⚠ ATTENTION

Veillez à utiliser un câble AV mini-jack (CD-RM10) (vendu séparément) pour le raccordement. Si vous utilisez un autre type de câble, la position du raccordement pourrait différer, entraînant une déformation du son et des images.



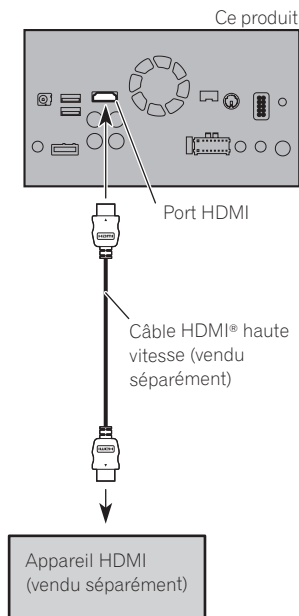
L : Audio gauche (blanc)  
R : Audio droite (rouge)  
V : Vidéo (jaune)  
G : Masse

## ✎ Remarques

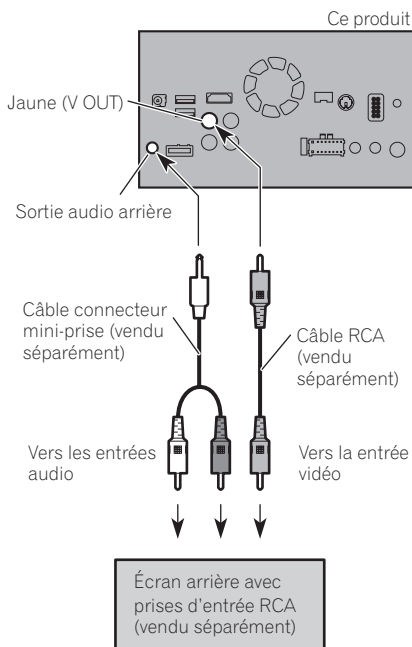
- Ce mode est disponible lorsque le réglage de l'entrée AUX est défini sur "**Marche**". (Pour en savoir plus, reportez-vous au Manuel de fonctionnement.)
- Lors de la connexion d'un élément vidéo externe à l'aide d'un câble AV mini-jack, utilisez un câble d'extension AUX vendu séparément si nécessaire.

## Connexion d'un périphérique HDMI

8000NEX 7000NEX 6000NEX



## Connexion de l'afficheur arrière



### Remarques

- Pour en savoir plus sur le fonctionnement du périphérique HDMI, reportez-vous au Manuel de fonctionnement.
- Lorsque vous connectez le câble HDMI® haute vitesse, utilisez l'attache de blocage pour le fixer fermement.
  - ➡ Pour en savoir plus, reportez-vous à la page 48, *Fixation du câble HDMI® haute vitesse.* ■

### Utilisation d'un écran arrière rattaché à la sortie vidéo arrière

**⚠ AVERTISSEMENT**  
**NE JAMAIS installer l'écran arrière dans un endroit permettant au conducteur de regarder la source vidéo en conduisant.**

La sortie vidéo arrière de ce produit permet de connecter un afficheur permettant aux passagers occupant les sièges arrière de visionner la source vidéo. ■

## Précautions à prendre avant l'installation

### ATTENTION

- Ne jamais installer ce produit dans un endroit ou de telle sorte qu'il :
  - risque de blesser le conducteur ou les passagers en cas d'arrêt brusque.
  - puisse interférer avec les commandes de manœuvre du conducteur tel que sur le plancher, en face du siège conducteur, ou à proximité du volant ou du levier de vitesse.
- Assurez-vous que rien ne se trouve derrière le tableau de bord ou une cloison avant d'y percer des trous. Veillez à ne pas endommager les tubulures de carburant et de frein, les composants électroniques, les câbles de communication ou d'alimentation.
- Si vous utilisez des vis, veillez à ce qu'elles n'entrent pas en contact avec un fil conducteur électrique. Les vibrations peuvent endommager les fils ou l'isolation, en entraînant un court-circuit ou d'autres dommages sur le véhicule.
- Pour garantir une installation correcte, assurez-vous d'utiliser les pièces fournies de la façon spécifiée. Si certaines pièces ne sont pas fournies avec cet appareil, utilisez des pièces compatibles de la façon spécifiée après avoir fait vérifier la compatibilité par votre revendeur. Si d'autres pièces que les pièces fournies ou compatibles sont utilisées, elles peuvent endommager les pièces internes de ce produit ou être mal assujetties, et le produit peut se détacher.
- Il est extrêmement dangereux de laisser les câbles s'enrouler autour de la colonne de direction ou du levier de vitesse. Assurez-vous d'installer ce produit, ses câbles et les fils de telle façon qu'ils n'obstruent ni ne gênent la conduite.
- Assurez-vous qu'aucun fil conducteur ne puisse se coincer dans une porte ou le mé-

canisme de coulissement d'un siège, car ceci pourrait provoquer un court-circuit.

- Vérifiez le bon fonctionnement des autres équipements du véhicule après l'installation de ce produit.
- N'installez pas ce produit dans un endroit où il risque (i) d'entraver la visibilité du conducteur, (ii) d'altérer le fonctionnement de certains systèmes de commande ou dispositifs de sécurité, y compris les airbags ou les touches de commande des feux de détresse, ou (iii) d'empêcher le conducteur de conduire le véhicule en toute sécurité.
- Installez ce produit entre le siège conducteur et le siège passager avant afin qu'il ne puisse pas être percuté par le conducteur ou le passager avant en cas de freinage brusque.
- N'installez jamais ce produit devant ou à côté d'un endroit sur le tableau de bord, une portière ou un pilier, à partir duquel un des airbags du véhicule doit se déployer. Veuillez vous reporter au mode d'emploi du véhicule pour en savoir plus sur les zones de déploiement des airbags frontaux.
- Des blessures graves voire mortelles peuvent découler du non-respect de ces précautions. ▣

## Pour éviter les parasites électromagnétiques

Pour éviter toute interférence, placez les éléments suivants le plus loin possible de ce produit, d'autres câbles ou de fils conducteurs :

- Antenne FM, AM et son fil conducteur
- Antenne GPS et son fil conducteur

De plus, vous devez placer ou acheminer le fil d'antenne aussi loin que possible des autres fils d'antenne. Ne les attachez, ne les placez ou ne les acheminez pas ensemble, ni ne les croisez. Le bruit électromagnétique augmentera les risques d'erreurs d'affichage de l'emplacement du véhicule. ▣

## Avant de procéder à l'installation

- Consultez le concessionnaire le plus proche si l'installation nécessite de percer des trous ou toute autre modification du véhicule.
- Avant d'installer ce produit définitivement, connectez le câblage provisoirement pour vous assurer que les connexions sont correctes et que le système fonctionne normalement.

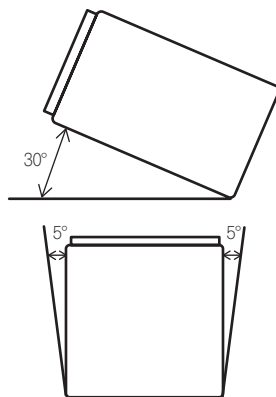
### Pour les utilisateurs de AVIC-8000NEX et AVIC-7000NEX

N'installez pas ce produit dans une position où l'ouverture du panneau LCD serait gênée par des obstacles, le levier de vitesse par exemple. Avant d'installer ce produit, veillez à laisser un espace suffisant afin que le panneau LCD ne gêne pas l'utilisation du levier de vitesse lorsqu'il est complètement ouvert. Ceci pourrait entraîner une interférence avec le levier de vitesse ou un dysfonctionnement du mécanisme de ce produit. ▣

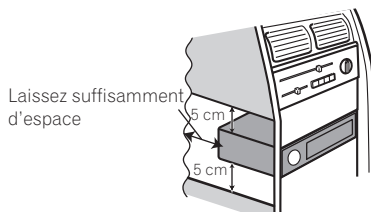
## Installation de ce produit

### Remarques sur l'installation

- N'installez pas ce produit dans un endroit soumis à des températures élevées ou à l'humidité. Par exemple :
  - À proximité du chauffage, de la ventilation ou de la climatisation.
  - En plein soleil, comme sur le dessus du tableau de bord.
  - Endroits susceptibles d'être exposés à la pluie, près de la portière ou sur le plancher du véhicule par exemple.
- Installez ce produit dans une zone suffisamment solide pour supporter son poids. Choisissez un endroit où le produit puisse être fixé de manière sûre et installez-le solidement. Une mauvaise fixation du produit peut entraîner un dysfonctionnement de la localisation du véhicule.
- Installez ce produit horizontalement sur une surface avec une tolérance de 0 à 30 degrés (dans une plage de 5 degrés vers la gauche ou la droite). Une mauvaise installation de l'unité avec une inclinaison de la surface supérieure à cette marge de tolérance risque d'accroître le potentiel d'erreurs dans l'affichage de l'emplacement, et de réduire les performances d'affichage.

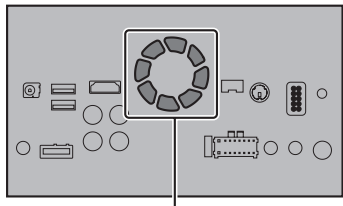


- Lors de l'installation de l'appareil, laissez suffisamment d'espace derrière le panneau arrière pour permettre une dissipation correcte de la chaleur et enrroulez tout câble gênant de façon qu'il n'obstrue pas les orifices de ventilation.



## Installation

- Les câbles ne doivent pas traverser la zone indiquée dans la figure ci-dessous, afin que la chaleur dégagée par les amplificateurs et le mécanisme de navigation puisse se dissiper librement.

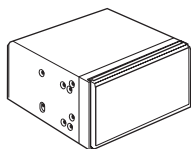


Ne pas couvrir cette zone.

- Le laser semi-conducteur sera endommagé en cas de surchauffe. N'installez donc pas ce produit à un endroit chaud, à proximité d'une sortie de chauffage par exemple.

### Pièces fournies

Les parties marquées d'un astérisque (\*) sont fournies avec AVIC-6000NEX, AVIC-5000NEX et AVIC-X8610BS.



Ce produit



Vis à tête bombée  
(5 mm × 8 mm)  
(6 pièces)



Vis à tête plate  
(5 mm × 9 mm)  
(6 pièces)



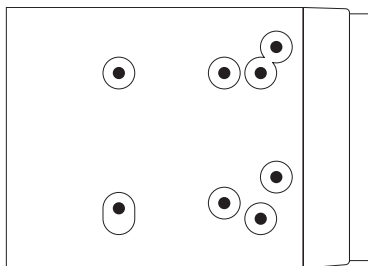
Vis\*  
(2 mm × 4 mm)  
(1 pièce)

### Installation en utilisant les trous de vis sur les côtés de ce produit

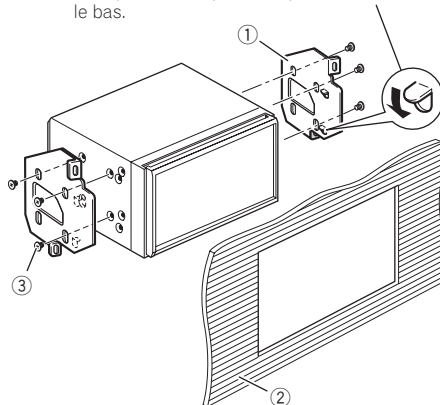
- Fixez ce produit au support de montage radio d'usine.

Positionnez ce produit de sorte que les trous des vis soient alignés avec ceux du support, puis serrez les vis aux trois emplacements de chaque côté.

Utilisez les vis à tête bombée (5 mm × 8 mm) ou les vis à tête plate (5 mm × 9 mm), en fonction de la forme des trous de vis du support.



Si le cliquet interfère avec l'installation, vous pouvez le replier complètement vers le bas.

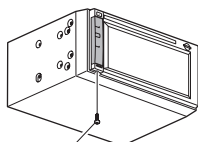


- Support de montage radio d'usine
- Tableau de bord ou console
- Vis à tête bombée ou vis à tête plate  
Veillez à utiliser les vis fournies avec ce produit.

## Fixation de la façade amovible

6000NEX 5000NEX X8610BS

Si vous n'avez pas l'intention de retirer la façade amovible, vous pouvez la fixer en place avec la vis fournie.



Vis (2 mm × 4 mm)





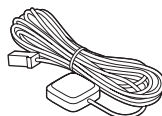
# Installation

## Installation de l'antenne GPS

### ⚠ ATTENTION

Ne coupez pas le câble d'antenne GPS pour le raccourcir et n'utilisez pas d'extension pour le rallonger. Le fait d'intervenir sur le câble d'antenne risque d'entraîner un court-circuit ou un dysfonctionnement et d'endommager de manière irréversible ce produit.

## Pièces fournies



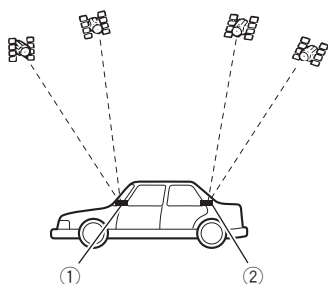
Antenne GPS



Plaque métallique

## Remarques sur l'installation

- L'antenne doit être installée sur une surface plane bien réceptive aux ondes radio. Les ondes radio ne peuvent pas être captées correctement par l'antenne si la réception des satellites est gênée.

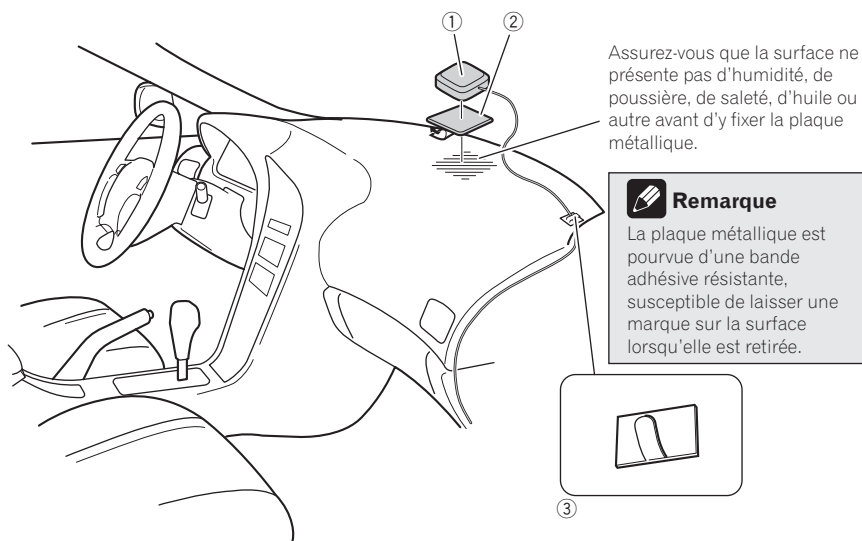


- ① Tableau de bord
- ② Lunette arrière
- Si vous installez l'antenne GPS à l'intérieur du véhicule, utilisez la plaque métallique fournie avec le système. La sensibilité de réception sera faible si elle n'est pas utilisée.
- Ne coupez pas la plaque métallique, car la sensibilité de l'antenne GPS en serait réduite.
- Ne tirez pas le fil pour retirer l'antenne GPS. Celle-ci est fixée à l'aide d'un aimant très puissant. Vous risqueriez d'arracher le fil.
- Aucune peinture ne doit être appliquée sur l'antenne GPS afin de ne pas réduire ses performances.

## Installation de l'antenne dans le véhicule (sur le tableau de bord ou la lunette arrière)

### ⚠ AVERTISSEMENT

N'installez pas l'antenne GPS par dessus un capteur ou une bouche d'air du tableau de bord du véhicule, car cela pourrait perturber le fonctionnement normal du capteur ou de la bouche d'air et compromettre la capacité de la plaque métallique sous l'antenne GPS d'assurer une fixation correcte et sûre sur le tableau de bord.



- ① Antenne GPS
- ② Plaque métallique  
Décollez la pellicule protectrice à l'arrière.
- ③ Serre-fils  
Utilisez des serre-fils vendus séparément pour fixer le fil conducteur aux endroits nécessaires dans le véhicule.

Fixez la plaque métallique sur une surface aussi plate que possible située de manière à ce que l'antenne GPS soit orientée vers une vitre. Posez l'antenne GPS sur la plaque métallique. (L'antenne GPS est immobilisée par son propre aimant.)

#### ✎ Remarque

La plaque métallique est pourvue d'une bande adhésive résistante, susceptible de laisser une marque sur la surface lorsqu'elle est retirée.

#### ✎ Remarques

- Lors de la fixation de la plaque métallique, ne la coupez pas en petits morceaux.
- Les vitres de certains modèles de véhicules ne laissent pas passer les signaux des satellites GPS. Dans ce cas, installez l'antenne GPS à l'extérieur du véhicule.

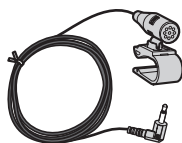


# Installation

## Installation du microphone

- Installez le microphone dans un endroit permettant une bonne réception de la voix du conducteur.
- Éteignez ce produit (ACC OFF) avant de connecter le microphone.

### Pièces fournies



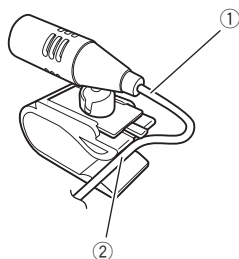
Microphone



Bande adhésive à double face

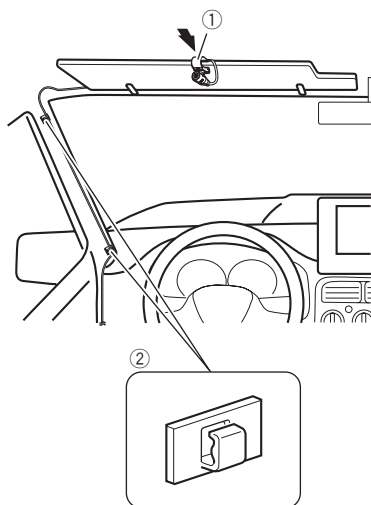
## Installation sur le pare-soleil

### 1 Insérez le fil du microphone dans la fente.



- ① Fil du microphone
- ② Fente

### 2 Fixez l'agrafe pour micro au pare-soleil.



- ① Agrafe pour micro

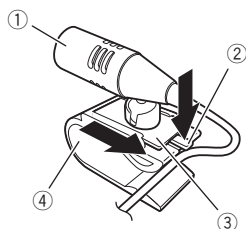
- ② Serre-fils

Utilisez des serre-fils vendus séparément pour fixer le fil conducteur aux endroits nécessaires dans le véhicule.

Installez le microphone sur le pare-soleil lorsqu'il est en position relevée. La reconnaissance vocale est impossible lorsque le pare-soleil est en position abaissée.

## Installation sur la colonne de direction

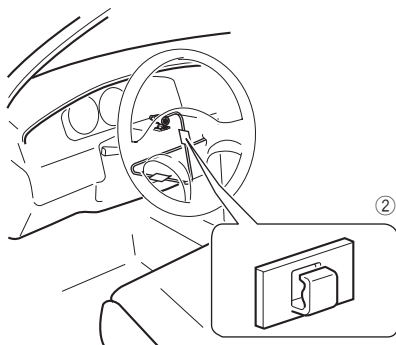
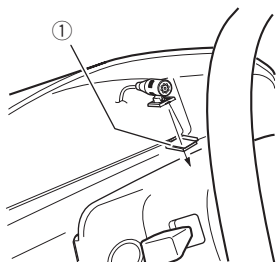
1 Retirez la base du microphone de l'agrafe pour micro en faisant glisser la base du microphone tout en enfonçant la languette.



- ① Microphone
- ② Languette
- ③ Base du microphone
- ④ Agrafe pour micro

2 Montez le microphone sur la colonne de direction.

Installez le microphone sur la colonne de direction, à distance du volant.



- ① Bande adhésive à double face
- ② Serre-fils  
Utilisez des serre-fils vendus séparément pour fixer le fil conducteur aux endroits nécessaires dans le véhicule.

## Réglage de l'angle du microphone

L'angle du microphone peut être ajusté.



## Après l'installation

### Après avoir installé ce produit

#### 1 Raccordez à nouveau la borne négative (-) de la batterie du véhicule.

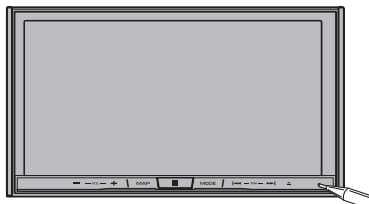
Vérifiez une nouvelle fois que toutes les connexions ont été bien faites et que ce produit est correctement installé. Remettez en place les éléments démontés du véhicule, puis rebranchez le câble négatif (-) sur la borne négative (-) de la batterie.

#### 2 Mettez le moteur en marche.

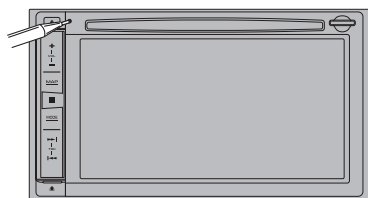
#### 3 Appuyer sur le bouton RESET.

Appuyez sur le bouton **RESET** de ce produit à l'aide d'un objet pointu comme la pointe d'un stylet.

8000NEX 7000NEX



6000NEX 5000NEX X8610BS



- Certains réglages et contenus enregistrés ne sont pas réinitialisés.

#### 4 Modifiez les réglages si nécessaire.

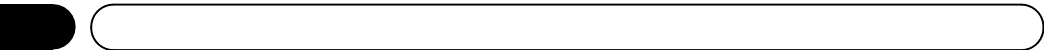
- ➔ Pour en savoir sur leur fonctionnement, reportez-vous au Manuel de fonctionnement.

5 Roulez sur une route sans obstacle jusqu'à ce que le GPS commence à recevoir le signal normalement.



#### Remarque

Une fois l'installation terminée, vérifiez le bon fonctionnement du véhicule dans un endroit sécurisé.





## **PIONEER CORPORATION**

1-1, Shin-ogura, Saiwai-ku, Kawasaki-shi,  
Kanagawa 212-0031, JAPAN

## **PIONEER ELECTRONICS (USA) INC.**

P.O. Box 1540, Long Beach, California 90801-1540, U.S.A.  
TEL: (800) 421-1404

## **PIONEER ELECTRONICS OF CANADA, INC.**

340 Ferrier Street, Unit 2, Markham, Ontario L3R 2Z5, Canada  
TEL: 1-877-283-5901  
TEL: 905-479-4411

## **PIONEER EUROPE NV**

Haven 1087, Keetberglaan 1, B-9120 Melsele, Belgium/Belgique  
TEL: (0) 3/570.05.11

## **PIONEER ELECTRONICS ASIACENTRE PTE. LTD.**

253 Alexandra Road, #04-01, Singapore 159936  
TEL: 65-6472-7555

## **PIONEER ELECTRONICS AUSTRALIA PTY. LTD.**

5 Arco Lane, Heatherton, Victoria, 3202, Australia  
TEL: (03) 9586-6300

## **PIONEER ELECTRONICS DE MEXICO, S.A. de C.V.**

Bldv.Manuel Avila Camacho 138 10 piso  
Col.Lomas de Chapultepec, Mexico, D.F. 11000  
TEL: 55-9178-4270

## **先鋒股份有限公司**

台北市內湖區瑞光路407號8樓  
電話：886-(0)2-2657-3588

## **先鋒電子（香港）有限公司**

香港九龍長沙灣道909號5樓  
電話：852-2848-6488

© 2014 PIONEER CORPORATION.  
All rights reserved.

© 2014 PIONEER CORPORATION.  
Tous droits de reproduction et de  
traduction réservés.