

Pioneer



<http://www.pioneerelectronics.com>
<http://www.pioneerelectronics.ca>

4"X6"

130W MAX.

TS-G4643R

2-Way Speaker / HP 2 Voies / Altavoz 2 Vías

- IMPP COMPOSITE CONE /
CÔNE COMPOSITE EN PP INJECTÉ
- Ø30 mm (1-3/16" Dia.) PEI BALANCED DOME TWEETER /
HP AIGU À DÔME ÉQUILIBRÉ PEI Ø30 mm

US/EURO
COMPATIBLE

INJECTION
MOLDED
CONE

CUSTOM-FIT/HP PERSONNALISÉS
GENERAL MOTORS • VOLKSWAGEN
MERCEDES-BENZ

TS-G4643R

HP 2 Voies

- PUISSANCE MUSICALE MAXIMUM 130 W
- PUISSANCE NOMINALE 20 W
- HP GRAVE 95 mm × 153 mm
- HP AIGU Ø30 mm DÔME ÉQUILIBRÉ
- IMPEDANCE 4 OHMS
- SENSIBILITE 89 dB (±1,5 dB)
- BANDE PASSANTE 40 Hz À 26 kHz (-20 dB)
- POIDS BRUT 0,90 kg

Pioneer

US/EURO
COMPATIBLE

INJECTION
MOLDED
CONE

HP PERSONNALISÉS
GENERAL MOTORS • VOLKSWAGEN
MERCEDES-BENZ

4"×6"

130W/MAX.



XVIUC

1 PAIRE

PIONEER CORPORATION

Enregistrez votre produit au
<http://www.pioneerelectronics.com>
<http://www.pioneerelectronics.ca>

TS-G4643R

2-Way Speaker

- MAX. MUSIC POWER 130 W
- NOMINAL POWER 20 W
- WOOFER 4"×6"
- TWEETER 1-3/16" Dia. BALANCED DOME
- IMPEDANCE 4 OHMS
- SENSITIVITY 89 dB (±1.5 dB)
- FREQUENCY RESPONSE 40 Hz TO 26 kHz (-20 dB)
- GROSS WEIGHT 0.90 kg 2 lbs

Pioneer

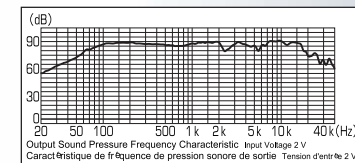
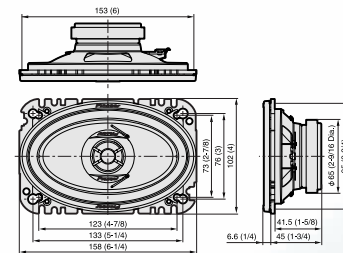
US/EURO
COMPATIBLE

INJECTION
MOLDED
CONE

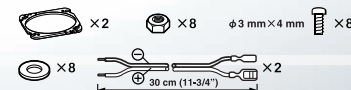
CUSTOM-FIT
GENERAL MOTORS • VOLKSWAGEN
MERCEDES-BENZ

4"×6"

130W/MAX.



- PARTS INCLUDED
- PIÈCES COMPRIS



XVIUC

1 PAIR

Register your product at
<http://www.pioneerelectronics.com>
<http://www.pioneerelectronics.ca>
PIONEER CORPORATION

TS-G4643R

HP 2 Voies

US/EURO
COMPATIBLE

P INJECTION
MOLDED
CONE

4"×6"

HP PERSONNALISÉS
GENERAL MOTORS • VOLKSWAGEN
MERCEDES-BENZ

130W/MAX.

Pioneer



4"×6"

130W/MAX.

TS-G4643R

2-Way Speaker

US/EURO
COMPATIBLE

P INJECTION
MOLDED
CONE

CUSTOM-FIT
GENERAL MOTORS • VOLKSWAGEN
MERCEDES-BENZ

Pioneer

Used wisely, your new sound equipment can provide fun and enjoyment. Since hearing damage from loud noise is often undetectable until it is too late, Pioneer and the Consumer Electronics Association recommend you avoid prolonged exposure to excessive noise. Under constant exposure such as sustained listening, sound levels above 85 decibels can be dangerous without hearing protection. (For reference, a garbage disposal or loud shouting at 3 feet away are around 80 decibels; a food blender or gas lawn mower at 3 feet away are around 90 decibels.) The longer your exposure and / or higher the sound level, the greater the danger of permanent hearing damage. Also, playing loud music or other sounds in a vehicle can hinder your ability to hear traffic or emergency vehicles. We recommend using low volume levels when driving so you can still hear sounds outside your vehicle. Pioneer disclaims all liability for hearing loss, bodily injury or property damage as a result of use or misuse of this product.

- Do not fail to read the instructions on the flap to the opposite side.
- Ne manquez pas de lire les instructions sur le volet sur le côté opposé.
- Asegúrese de leer las instrucciones sobre la solapa al lado opuesto.
- Não deixe de ler as instruções mencionadas na aba do lado oposto.

⚠ WARNING



Dear Customer:

Your purchase of Pioneer equipment is only the beginning of your musical enjoyment. Pioneer and the Consumer Electronics Association want you to get the most out of your equipment by using it at a safe sound level; a level that lets the sound come through clearly without annoying blaring or distortion — and, most importantly, without affecting your sensitive hearing.

Sound can be deceiving. Over time your hearing "comfort level" adapts to higher volumes of sound. So what sounds "normal" can actually be loud and harmful to your hearing. Set your equipment at a safe level BEFORE your hearing adapts.

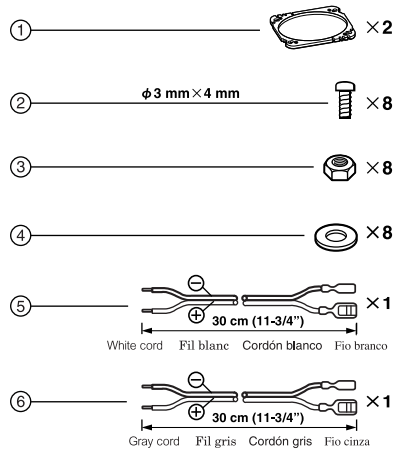
To establish a safer level :

- Start your volume control at a low setting.
- Slowly increase the sound until you can hear it comfortably and clearly, without distortion.

Once you have established a comfortable sound level :

- Set the dial and leave it there.
- Taking a minute to do this now will help to preserve hearing.

● PARTS INCLUDED
● PIECES COMPRISES
● PIEZAS INCLUIDAS
● PECAS INCLUIDAS



⚠ WARNING :

Handling the cord on this product or cords associated with accessories sold with the product will expose you to chemicals listed on proposition 65 known to the State of California and other governmental entities to cause cancer and birth defect or other reproductive harm. Wash hands after handling.

⚠ CAUTION

1. Do not touch the speaker flexible wire ②.
2. Do not change the direction of the speaker terminal assembly ③.
3. Make sure lead and speaker terminals do not contact metal.
4. When making connections, refer also to the instruction manual of the car stereo used.

⚠ ATTENTION

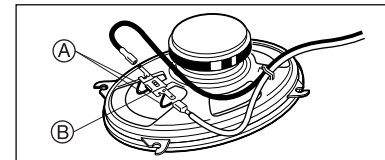
1. Ne jamais toucher le fil flexible de haut-parleur ②.
2. Ne pas modifier l'orientation de plaquelette de connexions du haut-parleur ③.
3. S'assurer que les fils et les bornes de haut-parleurs ne touchent pas une pièce métallique.
4. Le branchement s'opère après consultation de la notice d'instructions de l'autoradio qui est utilisé.

⚠ PRECAUCION

1. No se debe tocar el alambre flexible ② del altavoz.
2. No cambiar la dirección del ensamblaje de terminal del altavoz ③.
3. Asegurarse de que los terminales del altavoz y el hilo conductor no están en contacto con el metal.
4. Para hacer la conexión consultar también el manual de instrucciones que se provee para el "reproductor".

⚠ PRECAUÇÃO

1. Não toque no fio flexível do alto-falante ②.
2. Não mude a direção de montagem do terminal do alto-falante ③.
3. Asegure-se de que o fio e os terminais do alto-falantes não entrem em contacto com metal.
4. Quando da realização das conexões, favor referir-se também ao manual de instruções do estereo de carro que está sendo usado.



- Do not fail to read the instructions on the flap to the opposite side.
- Ne manquez pas de lire les instructions sur le volet sur le côté opposé.
- Asegúrese de leer las instrucciones sobre la solapa al lado opuesto.
- Não deixe de ler as instruções mencionadas na aba do lado oposto.

TS-G4643R

130W MAX.

Flush-Mount Car Speaker
4" X 6" (95 mm X 153 mm)
COAXIAL 2-WAY

Haut-Parleurs à Montage Encastré
Pour Automobile
2 VOIES COAXIAL 95 mm X 153 mm

Altavoz De Montaje Al Ras Para
Automóvil
95 mm X 153 mm COAXIAL DE 2 VIAS

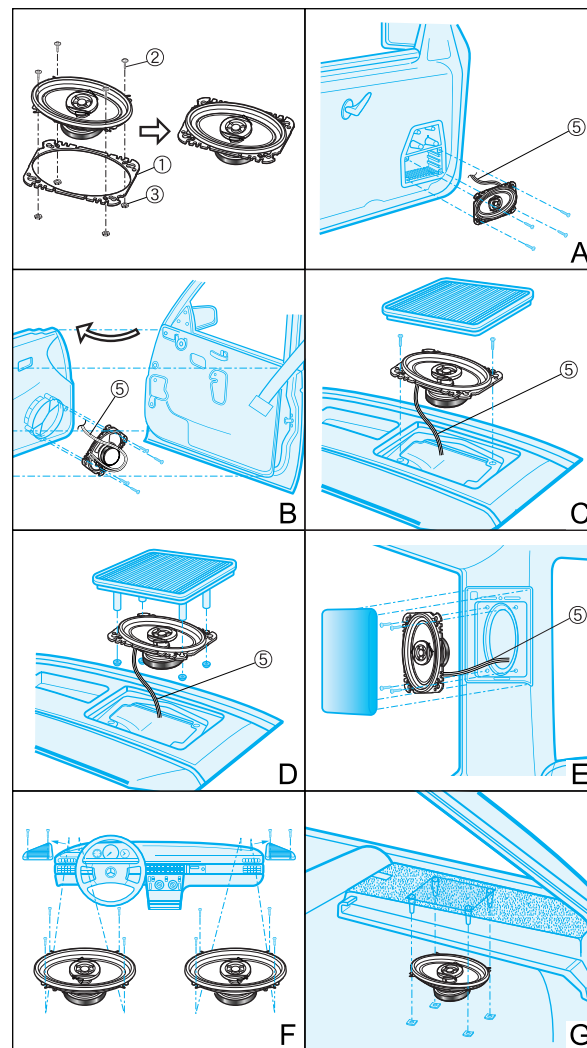
Be sure to read this instruction manual before installing this speaker.
Prière de lire obligatoirement ce manuel d'installation avant de monter les haut-parleurs.

Antes de instalar el altavoz es importante que lea estas instrucciones.
Leia este manual de instruções antes de instalar o alto-falante.

- EXAMPLE OF MOUNTING
- EJEMPLO DE MONTAJE
- EJEMPLO DE MONTAJE
- EXEMPLO DE MONTAGEM

- HOW TO INSTALL
- MODE D'INSTALLATION
- INSTALACION
- COMO INSTALAR

MAKE	MODEL	YEAR	FACTORY LOCATION	ILLUSTRATION		
CONSTRUCTEUR	MODELE	ANNEES	EMPLACEMENT	ILLUSTRATION		
FABRICANTE	MODELO	AÑOS	DE LA FÁBRICA	ILUSTRACIÓN		
FABRICANTE	MODELO	ANOS	DA FÁBRICA	ILUSTRACIÓN		
GM	BUICK	SKYLARK	1992~1998	FRONT DOOR	A	
		LE SABRE CUSTOM	1992~1999	DASHBOARD	C	
	CHEVROLET/GMC	CAVALIER	1995~2005	FRONT DOOR	A	
		ASTRO / SAFARI	1996~2005	REAR PILER	E	
		MALIBU	1997~2003	FRONT DOOR	A	
		CAPRICE CLASSIC / IMPALA SS	1991~1996	FRONT DOOR	A	
		S-10 BLAZER / PICKUP	1982~2005	DASHBOARD	D	
		S-15 JIMMY / PICKUP	1982~2005	DASHBOARD	D	
		SUBURBAN	1992~1994	DASHBOARD	C	
		BLAZER / YUKON FULL SIZE	1992~1994	DASHBOARD	C	
		CK-PICKUP / SIERRA FULL SIZE		1988~1994	DASHBOARD	C
				1995~1999	REAR SIDE	E
		CK-PICKUP EXTENDED CAB	1997~1999	DASHBOARD	C	
		SILVERADO / SIERRA	1999~2007	REAR SIDE	E	
PONTIAC	GRAND AM	1992~1998	FRONT DOOR	A		
	GRAND PRIX	1988~1991	DASHBOARD	D		
		1992~1993	FRONT DOOR	A		
	BONNEVILLE	1987~1991	DASHBOARD	D		
		1992~1999	FRONT DOOR	B		
	SUNFIRE	1995~2005	FRONT DOOR	A		
OLDSMOBILE	ACHIEVA	1992~1998	FRONT DOOR	A		
V.W.	GOLF	1983~1998	REAR SIDE	G		
MERCEDES	S SERIES	1986~1991	DASHBOARD	F		



Register your product at / Enregistrez votre produit au : <http://www.pioneerelectronics.com> <http://www.pioneerelectronics.ca>