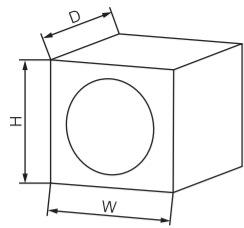


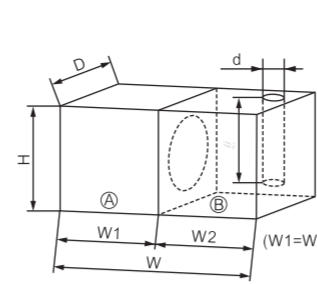
■ Sealed ■ Cios ■ Vedada ■ Vedada



| Model Modèle Modelo | W | H | D | Volume Volume Volumen Volume |
|-------------------------------|------------------|------------------|------------------|---------------------------------------|
| TS-W309S4/TS-W309D4/TS-W309D2 | 15-5/8" (396 mm) | 15-5/8" (396 mm) | 12-3/8" (314 mm) | 1.25 cu.ft (35.4 liters) |
| TS-W259S4/TS-W259D4 | 13-7/8" (351 mm) | 13-7/8" (351 mm) | 10-5/8" (269 mm) | 0.8 cu.ft (22.6 liters) |

| Model Modèle Modelo | Tight Tigrít Ajustada Ajustada | Recommended Recommandé Recomendada Recomendada | Deep Profondeur Profunda Profunda |
|-------------------------------|---|---|--|
| TS-W309S4/TS-W309D4/TS-W309D2 | 0.85 cu.ft (24.1 liters) | 1.25 cu.ft (35.4 liters) | 1.75 cu.ft (49.5 liters) |
| TS-W259S4/TS-W259D4 | 0.65 cu.ft (18.4 liters) | 0.8 cu.ft (22.6 liters) | 1.25 cu.ft (35.4 liters) |

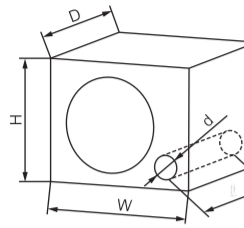
■ Bandpass ■ Passe-bande ■ Pasabanda ■ Bandpass



| Model Modèle Modelo | W | H | D | d × ℓ | Volume Volume Volumen Volume |
|---------------------------|------------------|------------------|------------------|-----------------------------------|---------------------------------------|
| TS-W309S4 | 19" (481 mm) | 15-1/8" (385 mm) | 15-1/8" (385 mm) | 3" Dia. (φ 76 mm) × 4.5" (114 mm) | Ⓐ 0.9 cu.ft (25.5 liters) |
| TS-W309D4 | | | | Ⓑ 0.9 cu.ft (25.5 liters) | |
| TS-W309D2 | | | | Ⓒ 0.6 cu.ft (17.0 liters) | |
| TS-W259S4 | 17-3/4" (449 mm) | 13-1/8" (332 mm) | 13-1/8" (332 mm) | 3" Dia. (φ 76 mm) × 6.5" (165 mm) | Ⓐ 0.6 cu.ft (17.0 liters) |
| TS-W259D4 | | | | Ⓑ 0.6 cu.ft (17.0 liters) | |

| Model Modèle Modelo | Tight Tigrít Ajustada Ajustada | Recommended Recommandé Recomendada Recomendada | Deep Profondeur Profunda Profunda |
|---------------------------|---|---|--|
| TS-W309S4 | Ⓐ 0.7 cu.ft (19.8 liters) | Ⓐ 0.9 cu.ft (25.5 liters) | Ⓐ 1.1 cu.ft (31.1 liters) |
| TS-W309D4 | Ⓑ 0.7 cu.ft (19.8 liters) | Ⓑ 0.9 cu.ft (25.5 liters) | Ⓑ 1.1 cu.ft (31.1 liters) |
| TS-W309D2 | | | |
| TS-W259S4 | Ⓐ 0.45 cu.ft (12.7 liters) | Ⓐ 0.6 cu.ft (17.0 liters) | Ⓐ 0.8 cu.ft (22.6 liters) |
| TS-W259D4 | Ⓑ 0.45 cu.ft (12.7 liters) | Ⓑ 0.6 cu.ft (17.0 liters) | Ⓑ 0.8 cu.ft (22.6 liters) |

■ Ported ■ Transféré ■ Puerta ■ Portado

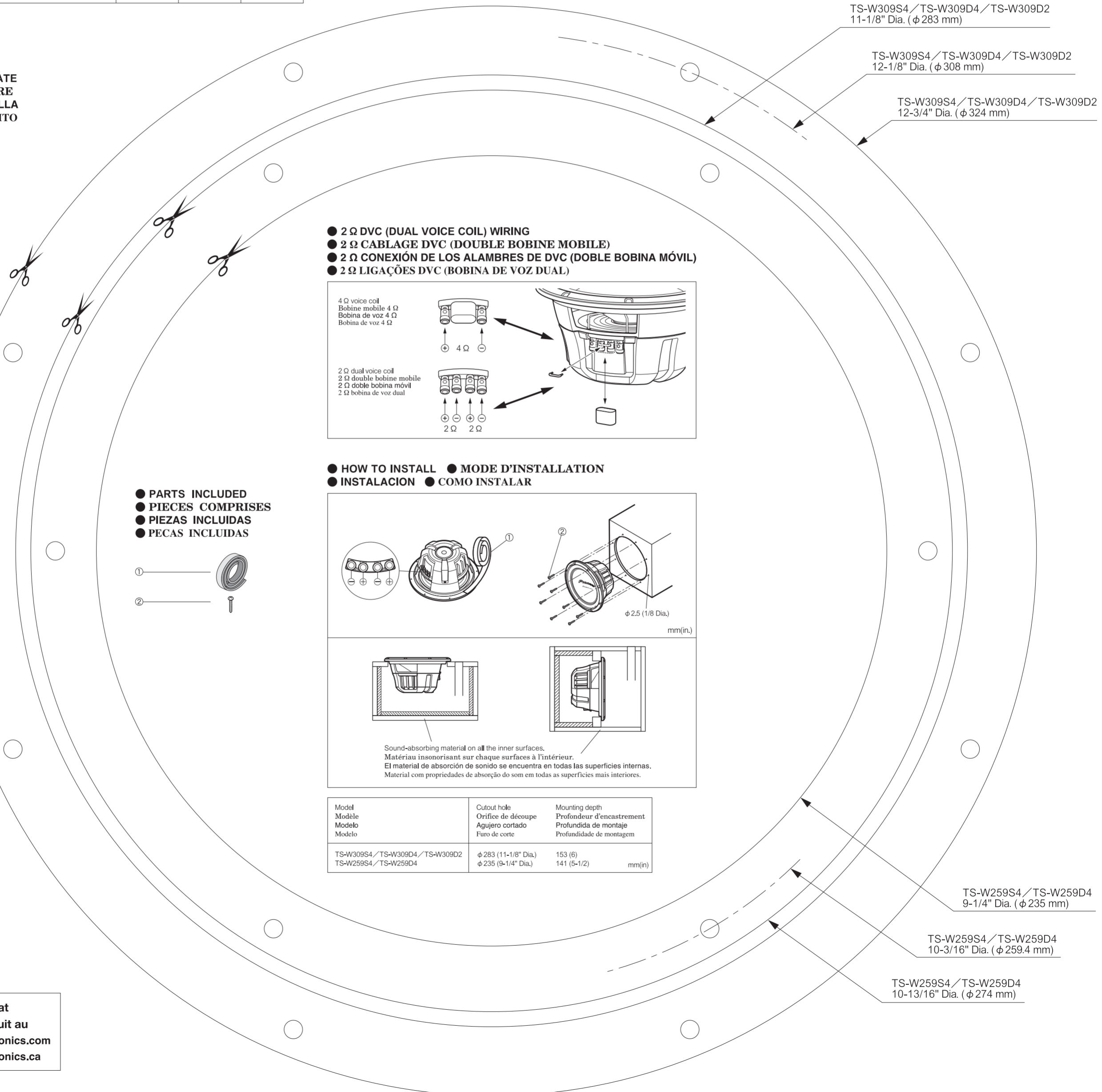


| Model Modèle Modelo | W | H | D | d × ℓ | Volume Volume Volumen Volume |
|---------------------------|------------------|------------------|------------------|-----------------------------------|---------------------------------------|
| TS-W309S4 | 18-1/8" (461 mm) | 14-5/8" (373 mm) | 13-1/4" (338 mm) | 3" Dia. (φ 76 mm) × 5.5" (140 mm) | 1.5 cu.ft (42.5 liters) |
| TS-W309D4 | | | | 3" Dia. (φ 76 mm) × 5" (127 mm) | |
| TS-W309D2 | | | | 3" Dia. (φ 76 mm) × 5.5" (140 mm) | |
| TS-W259S4 | 15-5/8" (396 mm) | 13-7/8" (353 mm) | 12-3/8" (314 mm) | 3" Dia. (φ 76 mm) × 7.5" (191 mm) | 1.1 cu.ft (31.1 liters) |
| TS-W259D4 | | | | 3" Dia. (φ 76 mm) × 8" (203 mm) | |

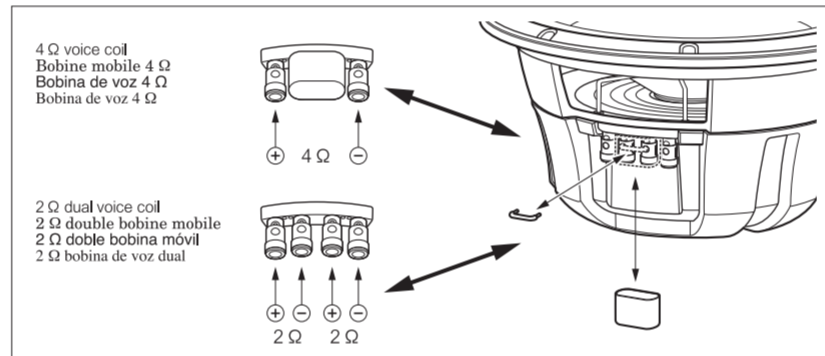
| Model Modèle Modelo | Tight Tigrít Ajustada Ajustada | Recommended Recommandé Recomendada Recomendada | Deep Profondeur Profunda Profunda |
|-------------------------------|---|---|--|
| TS-W309S4/TS-W309D4/TS-W309D2 | 1.25 cu.ft (35.4 liters) | 1.5 cu.ft (42.5 liters) | 2.0 cu.ft (56.6 liters) |
| TS-W259S4/TS-W259D4 | 0.9 cu.ft (25.5 liters) | 1.1 cu.ft (31.1 liters) | 1.5 cu.ft (42.5 liters) |

※ W, W1, W2, D, H : External Dimensions
 PIONEER recommends the speaker enclosure be manufactured with 3/4" MDF particle board.
 ※ W, W1, W2, D, H : Dimensions externes
 PIONEER recommande que le coffret du haut-parleur soit fait de panneau d'aggloméré MDF de 19 mm.
 ※ W, W1, W2, D, H : Dimensiones externas
 PIONEER recomienda que el gabinete del altavoz sea elaborado con madera multilaminar de 19 mm MDF.
 ※ W, W1, W2, D, H : Dimensões externas
 A PIONEER recomenda que a caixa de som seja fabricada com placas de partículas 19 mm MDF.

● TEMPLATE
 ● CALIBRE
 ● PLANTILLA
 ● GABARITO

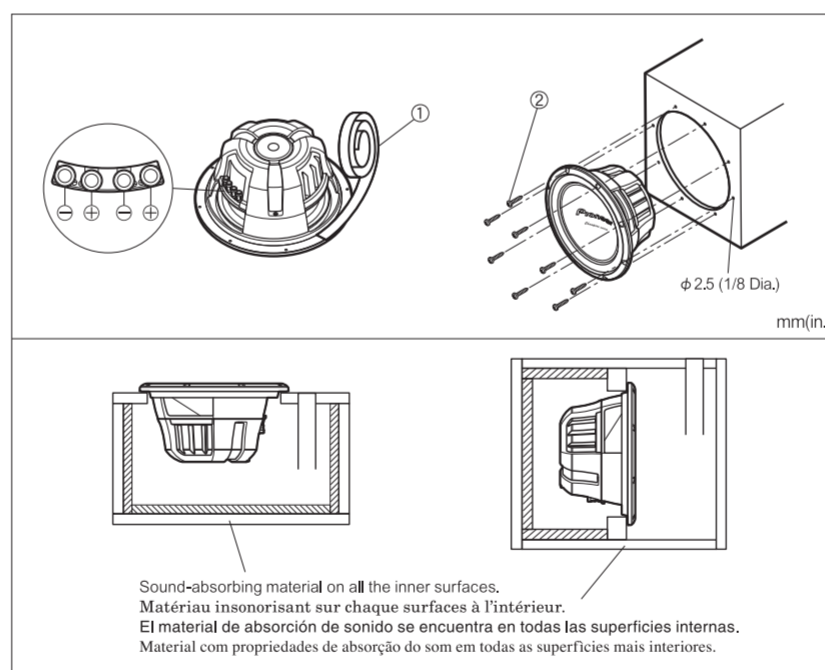
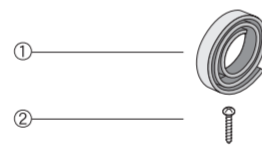


● 2 Ω DVC (DUAL VOICE COIL) WIRING
 ● 2 Ω CABLAGE DVC (DOUBLE BOBINE MOBILE)
 ● 2 Ω CONEXIÓN DE LOS ALAMBRES DE DVC (DOBLE BOBINA MÓVIL)
 ● 2 Ω LIGAÇÕES DVC (BOBINA DE VOZ DUAL)



● HOW TO INSTALL ● MODE D'INSTALLATION
 ● INSTALACION ● COMO INSTALAR

● PARTS INCLUDED
 ● PIECES COMPRISES
 ● PIEZAS INCLUIDAS
 ● PECAS INCLUIDAS



| Model Modèle Modelo | Cutout hole Orifice de découpe Agujero cortado Furo de corte | Mounting depth Profondeur d'encastrement Profundidad de montaje Profundidade de montagem |
|-------------------------------|---|---|
| TS-W309S4/TS-W309D4/TS-W309D2 | φ 283 (11-1/8" Dia.) | 153 (6) |
| TS-W259S4/TS-W259D4 | φ 235 (9-1/4" Dia.) | 141 (5-1/2) |

Register your product at
 Enregistrez votre produit au
<http://www.pioneerelectronics.com>
<http://www.pioneerelectronics.ca>