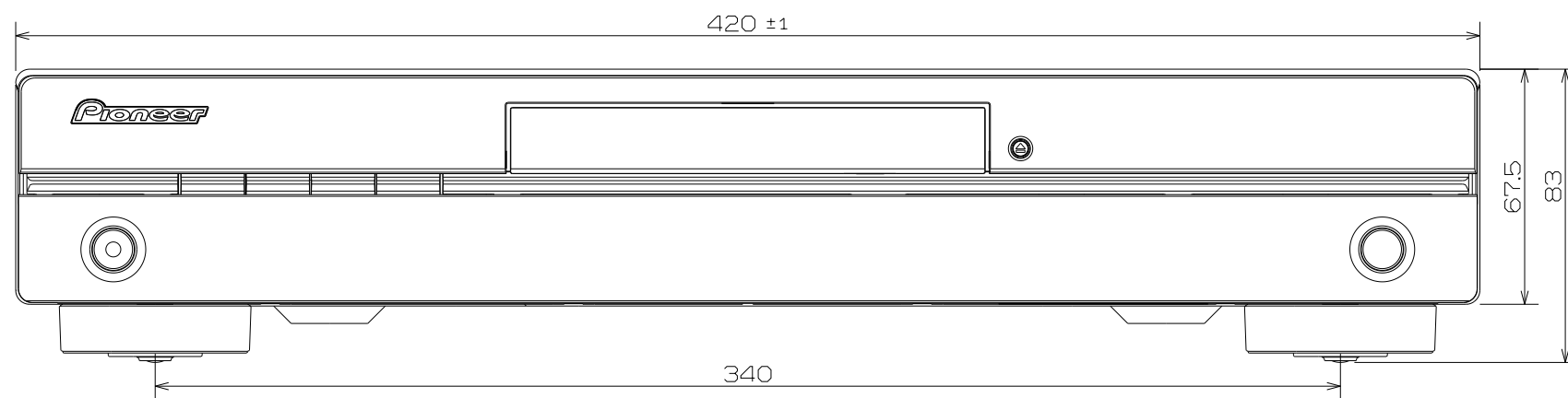
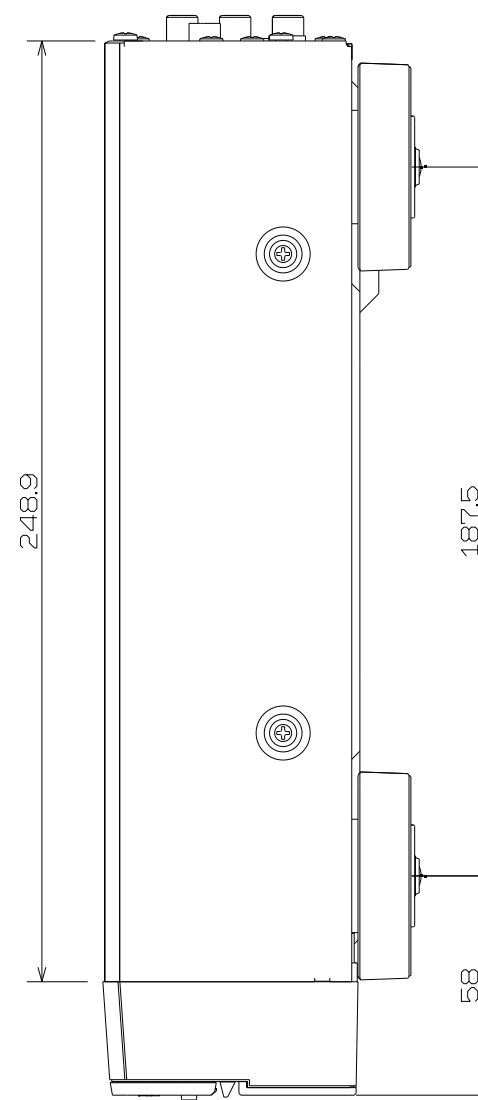
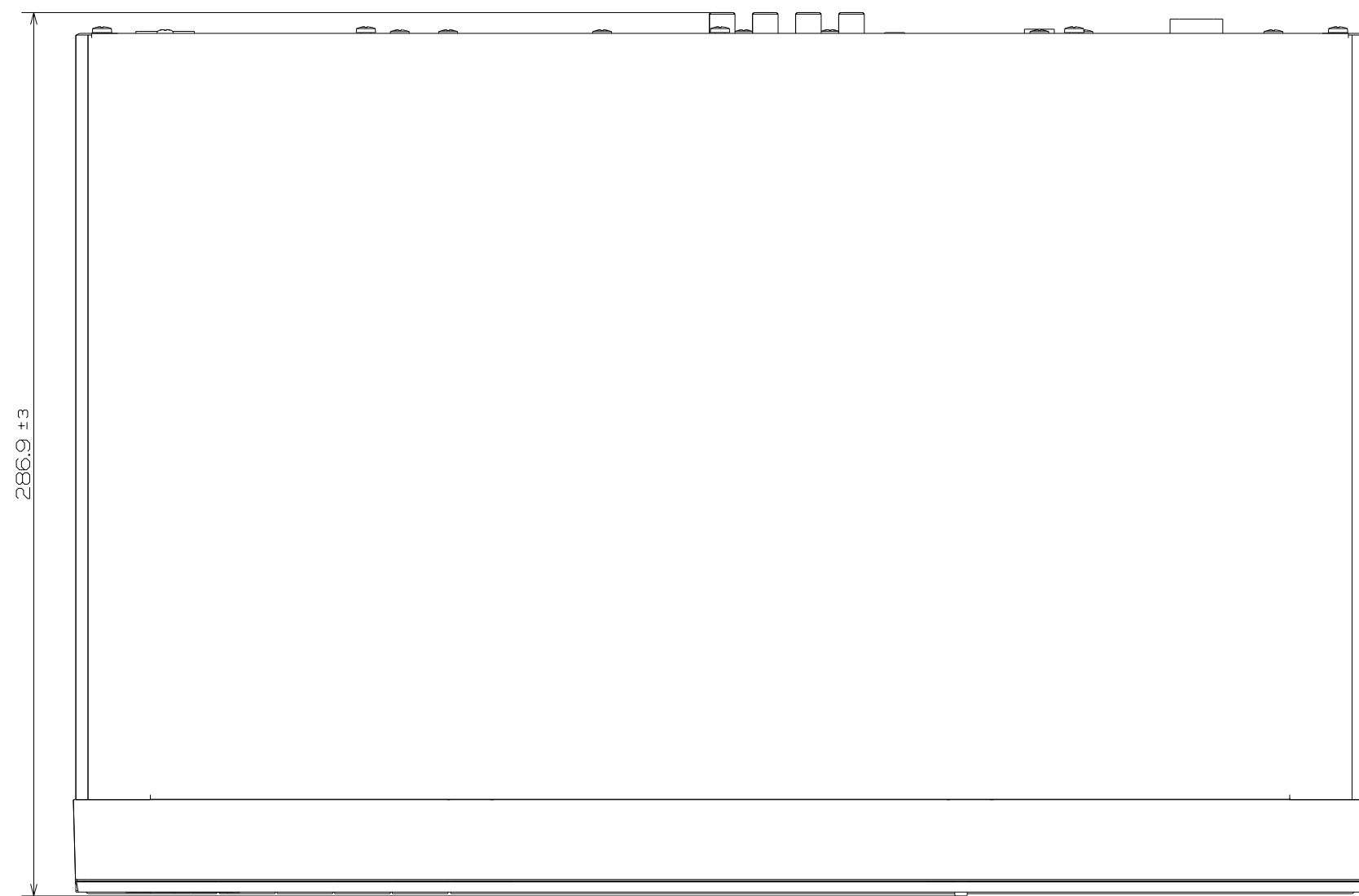


OUTLINE DIMENSION DRAWING(4)

BDP-23FD/UXJCA



A3

Scale 1:2