

Pioneer *sound.vision.soul*

Speaker System

Enceintes acoustiques

Sistema de altavoces

揚聲器系統

扬声器系统

S-2EX

Operating Instructions

Mode d'emploi

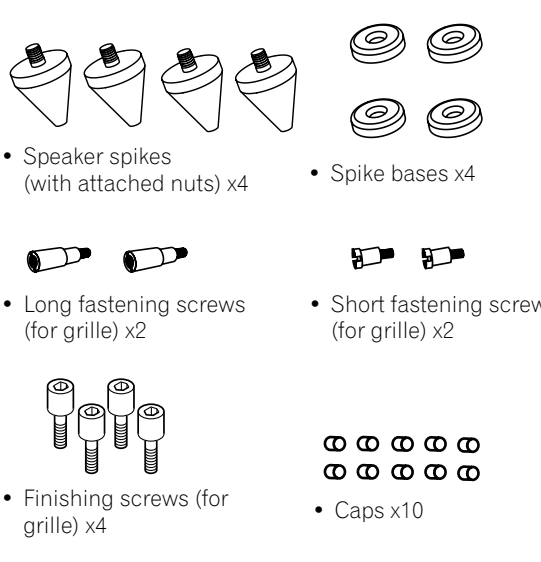
Manual de instrucciones

操作手冊

使用说明书

Thank you for buying this Pioneer product. Please read through these operating instructions so you will know how to operate your model properly. After you have finished reading the instructions, put them away in a safe place for future reference.

What's in the box



- Speaker spikes (with attached nuts) x4
- Spike bases x4
- Long fastening screws (for grille) x2
- Short fastening screws (for grille) x2
- Finishing screws (for grille) x4
- Caps x10
- Grille x1
- Operating instructions

Features of this speaker system

- Construction follows leading-edge TAD technology
- Beryllium dual-concentric tweeter
- Aramid/carbon fiber reinforced composite 18 cm woofer
- Perfect time alignment design

Before you start

- The nominal impedance of this speaker system is 6 Ω . Connect the speaker system to an amplifier with a load impedance ranging from 4 Ω to 16 Ω (a model with "4 – 16 Ω " displayed on the speaker output terminals).
- Do not touch the speaker cones as they are easily damaged.

In order to prevent damage to the speaker system resulting from input overload, please observe the following precautions:

- Do not supply power to the speaker system in excess of the maximum permissible input.
- When connecting or disconnecting anything in your AV system, make sure the amplifier is switched off.
- When using a graphic equalizer to emphasize loud sounds in the high-frequency range, do not use excessive amplifier volume.
- Do not try to force a low-powered amplifier to produce loud volumes of sound (the amplifier's harmonic distortion will be increased, and you may damage the speaker).

Caution: installation

- Do not place the speaker on an unstable surface. It could present a hazard if it falls, as well as damaging the equipment. If placing the speaker on a thick carpet, we recommend using the supplied speaker spikes for stability.
- Switch off and unplug your AV equipment and consult the instructions when connecting up components. Make sure you use the correct connecting cables.
- Do not put a TV or other AV equipment on top of this speaker. It could present a hazard if it falls, as well as damaging the equipment.
- Do not install your speakers overhead on the ceiling or wall. If improperly attached, the speaker grille can fall and cause damage or personal injury.
- Do not attach these speakers to the wall or ceiling. They may fall off and cause injury.

Caution: in use

- Do not use the speaker to output distorted sound for long periods of times. This can result in a fire hazard.
- Do not sit or stand on the speaker, or let children play on the speaker.
- Do not put large or heavy objects on top of the speaker.

WARNING: Handling the cord on this product or cords associated with accessories sold with the product will expose you to chemicals listed on proposition 65 known to the State of California and other governmental entities to cause cancer and birth defect or other reproductive harm.

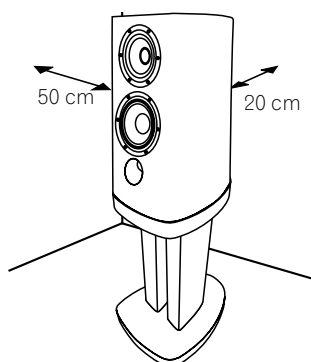
Wash hands after handling

D36-P4_A_En

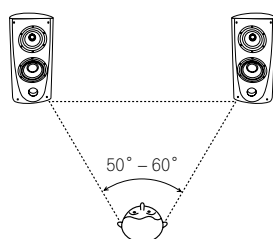
Installing your speaker

Please observe the following points when installing speakers:

- These speakers are bookshelf-type speakers which will give their best performance when placed on a solid, level surface off the floor. Placing the speakers directly on the floor will result in boomy, undefined sound. Ideally, the tweeters should be at about ear level when seated in your listening position. We recommend using the CP-2EX speaker stand for optimal sound and stability. *If you choose to use the CP-2EX speaker stand, make sure you secure it with the screws provided.*
- Sounds played through speaker systems are easily affected in subtle ways by the conditions in the listening space.
- For good sound, the speaker should be about 20 cm away from the back wall and at least 50 cm away from the side wall. If the room has a lot of reverberation, we recommend hanging heavy fabric on the walls, and/or putting a carpet on the floor to damp the sound. For best results, cover walls completely.



- Place speakers equal distances from your listening position for good stereo sound. Use speaker cords of the same length for each speaker.



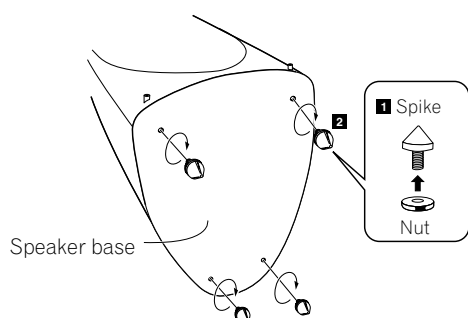
- If you are using a set of speakers for your TV sound, install the speakers at equal distances either side of the TV and point them in the same direction as the TV.
- Do not place the speaker where it will be in direct sunlight, and avoid positioning it near heaters and air conditioners. This may cause warping and discoloration of the speaker cabinet and damage the speaker.

Important

- Pioneer assumes no liability whatsoever for damages resulting from assembly, improper mounting, insufficient reinforcement, misuse of the product, acts of nature, etc.

Using the spikes

This speaker system includes spikes that you can use to isolate the speaker from the floor. Spikes are recommended when placing the speakers on a thick carpet (for added stability), or for better sound when placing the speakers on a hard reverberant surface (such as a concrete or wood floor). Use the supplied spike bases to avoid scratching the floor or other surface where the speaker is placed.



1 Attach the spikes to the nuts provided.

2 Attach all four spikes to the threaded metal inserts at the base of the speaker.

3 Choose the location for speaker placement then put the spike bases on the floor.

4 Place the speaker upright so that the spikes are resting on the spike bases on the floor.

Make sure the speaker is stable and resting squarely on all four spikes.

Caution: when using the spikes

- Note that these spikes are sharp metal and can cause damage to flooring. Make sure to lay down a cloth or suitable base before setting up.
- The speaker is very heavy (about 28 kg) and can cause serious damage or injury if you are attempting to adjust the spikes with the speaker standing or leaning. Make sure to lay down a cloth and make spike adjustments with the speaker laying flat. Two people or more during placement and setup is advised.

Connecting to an amplifier

Before connecting to your amplifier, make sure that the amp is switched off.

This speaker does not include speaker cables used for connecting to a stereo. Note the following when selecting speaker cables.

- Use heavy-gauge speaker cable if possible, and keep the cables to the minimum necessary length.
- If the length of cable required for left and right speakers differs, use cables of the same length, matched to the longer distance.
- Cables have differing characteristics. Keep this in mind when using any cable.
- Select cables with as little resistance as possible, and make sure the cables to the speaker terminals and amp are firm and secure.

CAUTION

These speaker terminals carry **HAZARDOUS LIVE voltage**. To prevent the risk of electric shock when connecting or disconnecting the speaker cables, disconnect the power cord before touching any uninsulated parts.

D3-4-2-2-3_A_En

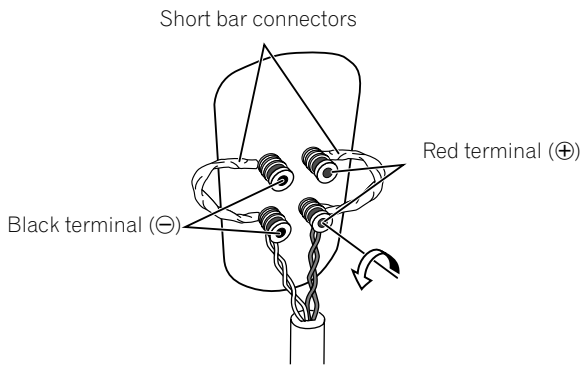
Connecting the cables

1 Switch off the power to your amplifier.

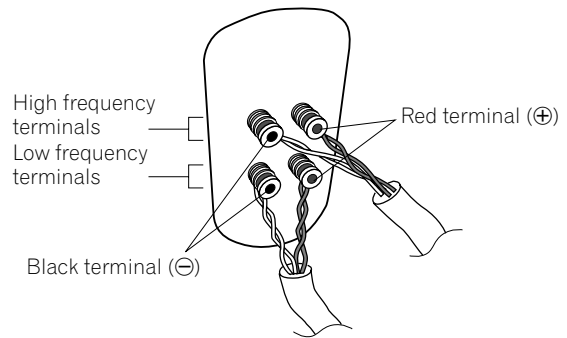
2 Connect the speaker cables to the input terminals (lower) on the back of the speaker. For input terminal polarity, red is positive (+) and black is negative (-).

Grasp the cap knobs on the lower input terminals and rotate them to the left (counter-clockwise), insert the speaker cable wires into the holes in the terminal posts, then tighten the knobs to secure the short bar as well as the wires.

- You can also use banana plugs for this connection. To do so, you must first remove the caps from the terminal posts.



2 Insert a speaker cable into each of the terminal post holes, then tighten the knobs.



3 Connect the other ends of the cables to the amp's speaker output terminals (for more details, refer to your amp owner's manual).

- After connecting the plugs, pull lightly on the cables to make sure that the ends of the cables are securely connected to the terminals. Poor connections can create noise and interruptions in the sound.
- If the cables' wires happen to be pushed out of the terminals, allowing the wires to come into contact with each other, it places an excessive additional load on the amp. This may cause the amp to stop functioning, and may even damage the amp.
- When using a set of speakers connected to an amplifier, you won't be able to obtain the normal stereo effect if the polarity (\oplus, \ominus) of one of the speakers (left or right) is reversed.

Caution: when bi-wiring

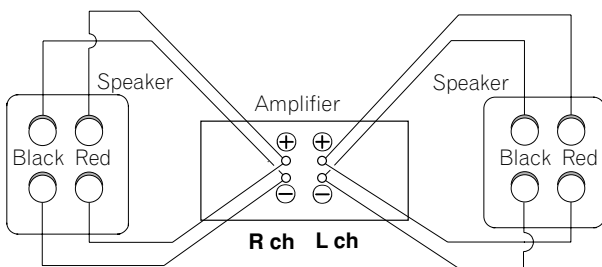
Note that in this setup, connecting the cables with the polarity reversed may seriously degrade the tone; refer to the section "Connecting the cables" again and confirm that the cables are connected properly.

3 Connect the matched pairs to the same speaker terminals on your amp (taking care not to get the polarity reversed).

Make sure to use the same type of cable for the low-frequency and the same type for the high-frequency connections.

Bi-wiring Connections

Bi-wiring requires two cables for each speaker, one for high frequencies and one for low frequencies. Using separate cables for the high end and low end improves the sound.

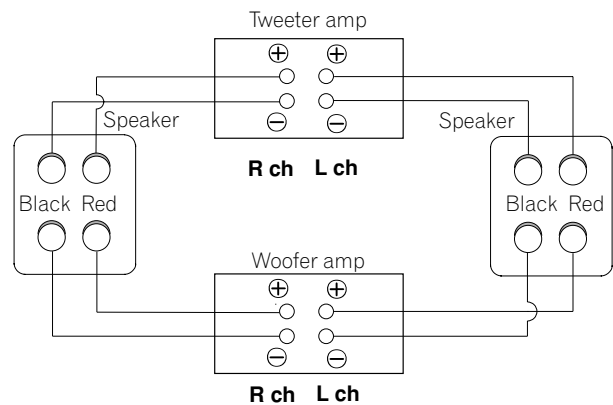


1 Loosen the cap knobs on the left input terminals and remove the two short bars.

In this state, the low-frequency speakers and the higher-frequency speakers are completely independent. Store the short bars in a safe place for later use. The lower terminals are for the bass, and the upper terminals are for midrange and treble sounds.

When bi-amping

Bi-amping is an even more powerful way of connecting your speakers. Just as with bi-wiring, the input terminal short bars are removed, but here the low-frequency terminals are connected to a separate, dedicated low-frequency amp, and the high-frequency terminals are connected to a dedicated high-frequency amp.



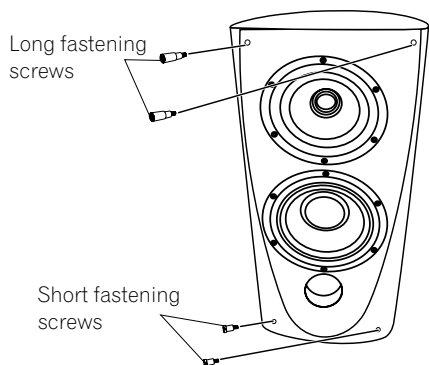
Attaching and removing the front grille

The front grille of this speaker system is removable. Follow the instructions below to attach/remove the grilles.

Attaching the grille

1 Insert the supplied fastening screws into the four holes provided on the front of the speaker.

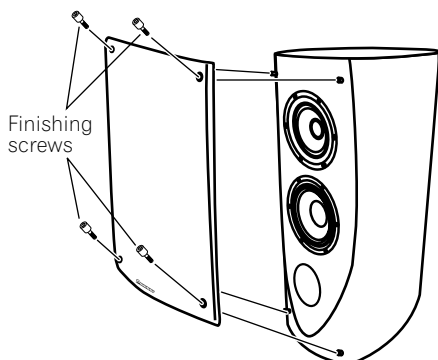
Use your fingers (not a screwdriver) to secure the screws to the front of the speaker.



2 Line up the holes on the grille with the protruding ends of the screws on the front of the speaker and press firmly.

3 Insert the supplied finishing screws into the four holes on the front of the grille and tighten to secure.

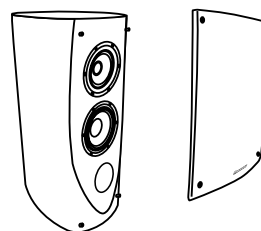
Use your fingers to tighten the finishing screws.



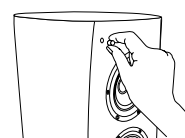
Removing the grille

1 Loosen, then remove the finishing screws from the four corners on the front of the grille.

2 After detaching the grille, remove the fastening screws from the four holes on the front of the speaker.



Optionally, you can insert the supplied caps into the holes.



Important

- Do not use a screwdriver (or hex wrench) to tighten the screws. Overtightening could damage the speaker.
- When not in use, store the screws with these operating instructions for safekeeping.

Magnetic shielding

This speaker system is magnetically shielded. However, depending on the installation location, color distortion may occur if the speaker system is installed extremely close to the screen of a television set.

If this happens, turn off the television, then turn it on again after 15 min to 30 min. If the problem persists, place the speaker system away from the television set.

Cleaning the speaker cabinet

With normal use, wiping with a dry cloth should be sufficient to keep the cabinet clean. If necessary, clean with a cloth dipped in a neutral cleanser diluted five or six times with water, and wrung out well. Do not use furniture wax or cleansers.

Never use thinners, benzene, insecticide sprays or other chemicals on or near this unit since these will corrode the surfaces.

Specifications

Enclosure	Bass-reflex bookshelf type (magnetically shielded)
Configuration	3-way
Woofer	18 cm (7 ¹ / ₁₆ inch) cone
Tweeter	14 cm (5 ¹ / ₂ inch) cone / 3.5 cm (1 ³ / ₈ inch) dome
Nominal impedance	6 Ω
Frequency response	34 Hz to 100 kHz
Sensitivity	86.5 dB (2.83 V)
Maximum input power	200 W
Exterior dimensions	291 (W) mm × 565 (H) mm × 425 (D) mm 11 ⁷ / ₁₆ (W) in. × 22 ¹ / ₄ (H) in. × 16 ³ / ₄ (D) in.
Weight	28 kg / 61 lbs. 12 oz.

Supplied accessories

Speaker spikes (with attached nuts)	×4
Spike bases	×4
Long fastening screws (for grille)	×2
Short fastening screws (for grille)	×2
Caps	×10
Finishing screws (for grille)	×4
Grille	×1
Operating instructions	×1



Note

- Specifications and design subject to possible modification without notice, due to improvements.



Remember

- Real, natural wood is used in the construction of the speaker system cabinets. They feature a wonderful color and depth that is much more attractive than plastic veneers and similar materials.

No two pieces of natural wood are exactly alike. Keep this point in mind as you enjoy these speakers.



With the cooperation of AIR Studios, this speaker has been designated AIR Studios Monitor Reference.



is a trademark placed on a product with Pioneer's Phase Control technology. This technology enables high-grade sound reproduction through each component by improving overall phase matching.



Dear Customer:

Selecting fine audio equipment such as the unit you've just purchased is only the start of your musical enjoyment. Now it's time to consider how you can maximize the fun and excitement your equipment offers. This manufacturer and the Electronic Industries Association's Consumer Electronics Group want you to get the most out of your equipment by playing it at a safe level. One that lets the sound come through loud and clear without annoying blaring or distortion-and, most importantly, without affecting your sensitive hearing.

Sound can be deceiving. Over time your hearing "comfort level" adapts to higher volumes of sound. So what sounds "normal" can actually be loud and harmful to your hearing. Guard against this by setting your equipment at a safe level BEFORE your hearing adapts.

To establish a safe level:

- Start your volume control at a low setting.
- Slowly increase the sound until you can hear it comfortably and clearly, and without distortion.

Once you have established a comfortable sound level:

- Set the dial and leave it there.

Taking a minute to do this now will help to prevent hearing damage or loss in the future. After all, we want you listening for a lifetime.

We Want You Listening For A Lifetime

Used wisely, your new sound equipment will provide a lifetime of fun and enjoyment. Since hearing damage from loud noise is often undetectable until it is too late, this manufacturer and the Electronic Industries Association's Consumer Electronics Group recommend you avoid prolonged exposure to excessive noise. This list of sound levels is included for your protection.

Decibel Level Example

30	Quiet library, soft whispers
40	Living room, refrigerator, bedroom away from traffic
50	Light traffic, normal conversation, quiet office
60	Air conditioner at 20 feet, sewing machine
70	Vacuum cleaner, hair dryer, noisy restaurant
80	Average city traffic, garbage disposals, alarm clock at two feet.

THE FOLLOWING NOISES CAN BE DANGEROUS UNDER CONSTANT EXPOSURE

90	Subway, motorcycle, truck traffic, lawn mower
100	Garbage truck, chain saw, pneumatic drill
120	Rock band concert in front of speakers, thunderclap
140	Gunshot blast, jet plane
180	Rocket launching pad

Information courtesy of the Deafness Research Foundation.

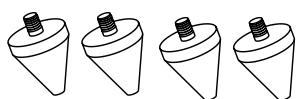


S001_En

Published by Pioneer Corporation.
Copyright © 2006 Pioneer Corporation.
All rights reserved.

Nous vous remercions d'avoir acheté ces enceintes acoustiques Pioneer. Veuillez lire attentivement ce mode d'emploi de manière à pouvoir utiliser votre modèle correctement. Après avoir lu ces explications, conservez-les en lieu sûr pour éventuellement les consulter plus tard.

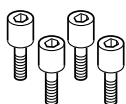
Contenu de l'emballage



- Pointes de découplage d'enceinte (avec écrous fixés) x4



- Longues vis de fixation (pour grille) x2



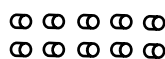
- Vis de fixation (pour grille) x4



- Bases pour pointes de découplage x4



- Courtes vis de fixation (pour grille) x2



- Capuchons x10

- Grille x1

- Mode d'emploi

Caractéristiques de cette enceinte acoustique

- Construction intégrant la technologie TAD à front d'impulsion
- Tweeter concentrique double au béryllium
- Woofer de 18 cm en matériau composite renforcé de fibre aramide/carbone
- Design à alignement horaire parfait

Avant de commencer

- L'impédance nominale de ces enceintes acoustiques est de 6 Ω . Raccordez ces enceintes à un amplificateur dont l'impédance de charge va de 4 Ω à 16 Ω (un modèle pour lequel "4 – 16 Ω " est indiqué sur les bornes de sortie de haut-parleurs).
- Ne touchez pas les cônes des haut-parleurs, car vous pourriez les endommager facilement.

Pour éviter des dégâts que subirait les enceintes acoustiques par suite d'une surcharge de courant à l'entrée, respectez les précautions suivantes :

- Ne fournissez pas aux enceintes acoustiques un courant électrique dépassant l'entrée maximale autorisée.
- Avant de brancher ou de débrancher un composant à votre système audiovisuel, assurez-vous que l'amplificateur est hors tension.
- Si vous utilisez un égaliseur graphique pour accentuer les sons dans la plage des hautes fréquences, n'élevez pas trop le volume de l'amplificateur.

- Ne poussez pas un amplificateur à faible puissance à produire un volume sonore très puissant, car la distorsion harmonique de l'amplificateur augmentera et vous risquez alors d'endommager le haut-parleur.

Précautions à l'installation

- Ne placez pas les enceintes acoustiques sur une surface instable car, en tombant, elles pourraient vous blesser et être endommagées. Si vous placez les enceintes acoustiques sur un tapis épais, nous vous conseillons d'utiliser les pointes de découplage fournies pour améliorer leur stabilité.
- Mettez votre système audiovisuel hors tension et débranchez-le, puis consultez le mode d'emploi avant de brancher des composants. Prenez soin d'utiliser correctement les cordons de raccordement.
- Ne placez pas un téléviseur ou tout autre appareil audiovisuel sur le dessus de ces enceintes acoustiques. En tombant, il pourrait vous blesser ou être endommagé.
- N'installez pas les enceintes en hauteur sur un mur ou au plafond, car si elle est mal attachée, la grille de l'enceinte peut tomber et provoquer des dégâts ou des blessures à des personnes.
- Ne fixez pas ces haut-parleurs sur un mur ou au plafond, car ils pourraient tomber et causer des blessures.

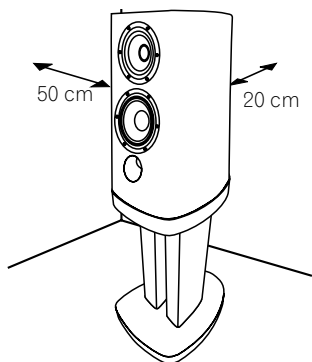
Précautions à l'emploi

- N'utilisez pas les enceintes pour produire des sons distordus pendant une longue période, car ceci pourrait provoquer un incendie.
- Ne montez pas et ne vous asseyez pas sur les enceintes et ne laissez pas des enfants jouer sur celles-ci.
- Ne posez pas de grands objets pesants sur le dessus des enceintes.

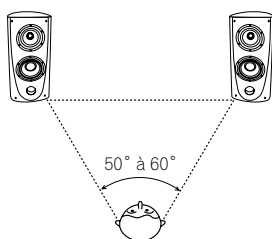
Installation des enceintes acoustiques

Observez les points suivants lors de l'installation des enceintes :

- Ces enceintes acoustiques sont de type bibliothèque; elles déploieront donc leurs meilleures performances en étant posées sur une surface solide, à l'horizontale et dégagée du plancher. Si elles sont disposées directement sur le plancher, les sons seront cavernes et mal définis. Idéalement parlant, les tweeters doivent se trouver approximativement au niveau des oreilles lorsque vous êtes assis à la position d'écoute. Pour optimiser le son et la stabilité, nous conseillons donc d'employer le socle CP-2EX. *Si vous choisissez d'utiliser le socle d'enceinte CP-2EX, prenez soin de le fixer avec les vis fournies.*
- Les sonorités reproduites par les enceintes acoustiques sont facilement affectées par les conditions du local d'écoute.
- Pour une qualité acoustique optimale, l'enceinte doit se trouver à environ 20 cm d'une paroi à l'arrière et à au moins 50 cm d'une paroi latérale. Si la salle d'écoute provoque de fortes réverbérations, nous conseillons de placer des tissus épais sur les murs et/ou un tapis sur le plancher, afin d'amortir les sons. Pour des résultats optimaux, recouvrez complètement les murs.



- Placez les enceintes à égale distance de votre position d'écoute, afin d'obtenir une bonne image stéréo. Utilisez des cordons d'enceinte de même longueur pour les deux enceintes acoustiques.



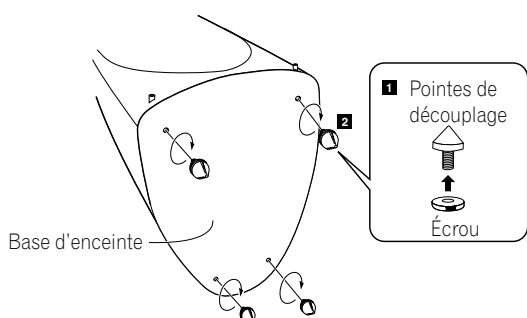
- Si vous utilisez un jeu d'enceintes acoustiques pour restituer les sons d'un téléviseur, installez les enceintes à égale distance de part et d'autre du téléviseur et orientez-les dans le même sens que le téléviseur.
- N'installez pas les enceintes en plein soleil et évitez de les placer près d'appareils de chauffage ou de climatiseurs, car ceci pourrait gondoler et décolorer le coffret des enceintes et endommager leurs haut-parleurs.

Important

- Pioneer n'assume aucune responsabilité en cas de dégâts causés par un assemblage et un montage inadéquats, un renforcement insuffisant, une erreur d'utilisation, des catastrophes naturelles, etc.

Utilisation des pointes de découplage

Cette enceinte acoustique est fournie avec des pointes de découplage, utilisables pour l'isoler du plancher. L'emploi de ces pointes est recommandé si vous placez les enceintes acoustiques sur un tapis épais (leur stabilité est alors accrue) ou pour obtenir une meilleure restitution si les enceintes sont placées sur une surface dure et réverbérante (telle qu'un pavé de béton ou un plancher). Utilisez les plaquettes pour pointes de découplage fournies, afin d'éviter de griffer le plancher ou d'autres surfaces sur lesquelles les enceintes sont posées.



1 Fixez les pointes au moyen des écrous fournis.

2 Fixez tous les quatre points dans les cavités métalliques filetées dans la base de l'enceinte.

3 Déterminez l'endroit de l'installation de l'enceinte, puis posez les bases des pointes sur le sol.

4 Placez l'enceinte à la verticale, de sorte que les pointes soient posées sur leur base à même le sol.

Assurez-vous que l'enceinte est stable et qu'elle repose parfaitement sur les quatre pointes.

Attention à l'emploi des pointes de découplage

- Notez que ces pointes de découplage sont pointues et métalliques et qu'elles peuvent donc endommager le plancher. Veillez donc à les poser sur un linge ou une autre surface appropriée.
- L'enceinte acoustique est très lourde (environ 28 kg) et elle peut entraîner des dégâts ou des blessures si vous essayez d'ajuster les pointes en la laissant debout ou inclinée. Veillez donc à la déposer à plat sur un tissu avant d'ajuster les pointes. Pour l'installation ou le réglage, il est conseillé de travailler à deux ou plusieurs personnes.

Branchement à un amplificateur

Avant d'effectuer les branchements à un amplificateur, assurez-vous que celui-ci est hors tension.

Les câbles d'enceintes, nécessaires pour le branchement à un ampli, ne sont pas fournis avec cette enceinte acoustique. Lors du choix de câbles d'enceintes, tenez compte des points suivants.

- Si possible, utilisez des câbles d'enceinte de gros calibre et d'une longueur minimale.
- Si la longueur des câbles pour les enceintes gauche et droite est différente, ajustez les deux câbles à la distance la plus longue des deux.
- Les câbles ont chacun des caractéristiques différentes. Tenez compte de ce point lorsque vous les choisissez.
- Sélectionnez des câbles dont la résistance est la moindre possible et veillez à ce que les connexions des câbles soient solides sur les enceintes et sur l'amplificateur.

ATTENTION

Les bornes des haut-parleurs sont sous une **tension ACTIVE DANGEREUSE**. Pour éviter tout risque de décharge électrique lors du branchement et du débranchement des câbles de haut-parleur, débranchez le cordon d'alimentation avant de toucher des parties non isolées.

D3-4-2-3_A_Fr

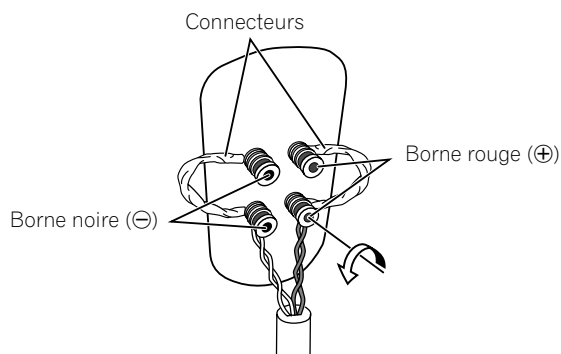
Branchement des câbles

1 Mettez l'amplificateur hors tension.

2 Branchez les câbles d'enceinte sur les bornes d'entrée (inférieures) à l'arrière de l'enceinte. En ce qui concerne les polarités des bornes, la rouge est positive (+) et la noire est négative (-).

Saisissez le bouton-capuchon sur les bornes d'entrée inférieure et tournez-le vers la gauche (sens antihoraire), insérez les fils du câble d'enceinte dans l'orifice du montant de borne, puis tournez le bouton pour immobiliser la barrette et les fils.

- Vous pouvez également utiliser une fiche-banane pour cette connexion. Pour cela, vous devrez d'abord enlever le capuchon présent sur le montant de borne.

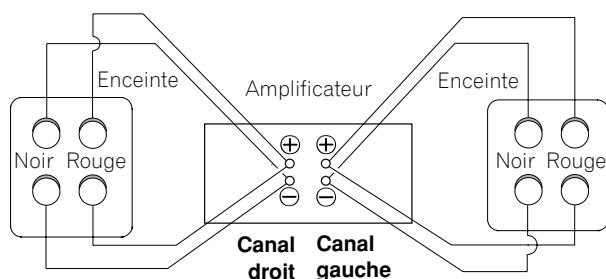


3 Raccordez l'autre bout des câbles sur les bornes de sortie d'enceinte de l'amplificateur (pour plus d'informations, consultez le mode d'emploi de votre amplificateur).

- Après avoir branché les câbles sur les bornes, tirez légèrement sur ceux-ci pour vous assurer que leur extrémité est parfaitement immobilisée sur les bornes. De mauvaises connexions sont la source de parasites, voire d'interruption des sons.
- Si les fils des câbles ressortent des bornes et s'ils entrent en contact mutuellement, l'amplificateur subira une charge additionnelle, ce qui peut l'obliger à s'arrêter, voire l'endommager.
- A l'emploi d'un jeu d'enceintes raccordé à un amplificateur, si la polarité (+, -) d'une des enceintes acoustiques (gauche ou droite) est inversée, vous n'obtiendrez pas un effet stéréophonique normal.

Branchements bifilaires

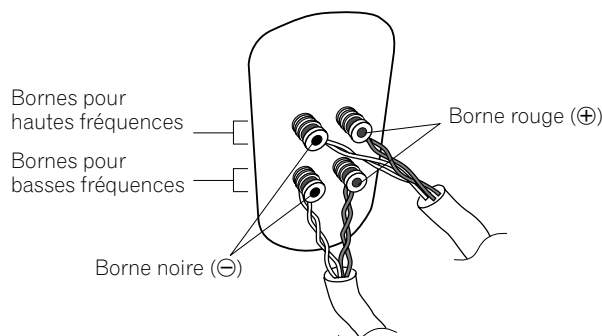
Le branchement bifilaire suppose l'emploi de deux câbles pour chaque enceinte, l'un pour les hautes fréquences et l'autre pour les basses fréquences. L'emploi de câbles séparés pour le haut et le bas du spectre sonore améliore la performance acoustique.



1 Desserrez le bouton-capuchon sur les bornes d'entrée gauches et déposez les deux connecteurs.

Dans cet état, les haut-parleurs des basses fréquences et ceux des hautes fréquences sont complètement indépendants. Rangez ces connecteurs en lieu sûr en vue de leur réutilisation ultérieure. Les bornes du bas sont destinées aux basses fréquences et les bornes du haut sont destinées au médium et aux aigus.

2 Insérez un câble d'enceinte dans chacun des orifices de montant de borne, puis serrez les boutons.



Attention lors d'un branchement bifilaire

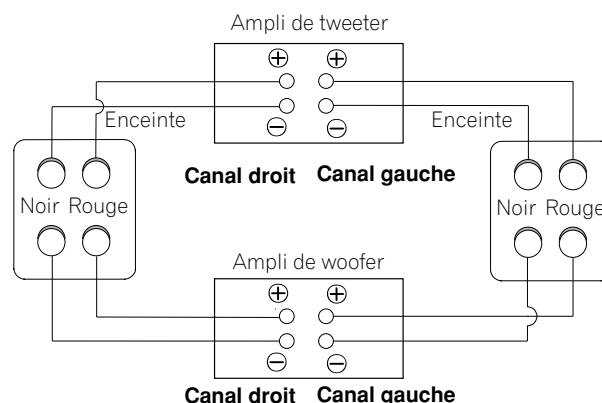
Notez qu'avec cet agencement, une inversion de la polarité des câbles risque de dégrader sérieusement les tonalités. Reportez-vous à nouveau à la section "Branchement des câbles" et assurez-vous que les câbles sont correctement raccordés.

3 Branchez les paires correspondantes sur les mêmes bornes d'enceintes de votre amplificateur, en veillant à ne pas inverser les polarités.

Prenez soin d'utiliser le même type de câble pour les branchements des basses fréquences et pour ceux des hautes fréquences.

A l'emploi d'une bi-amplification

Une bi-amplification est une méthode encore plus performante de branchement d'enceintes acoustiques. Comme dans le cas d'un branchement bifilaire, les connecteurs des bornes d'entrée sont enlevés, mais dans ce cas, les bornes des basses fréquences sont raccordées à un amplificateur séparé réservé aux basses fréquences, tandis que les bornes des hautes fréquences sont raccordées à un ampli pour hautes fréquences.



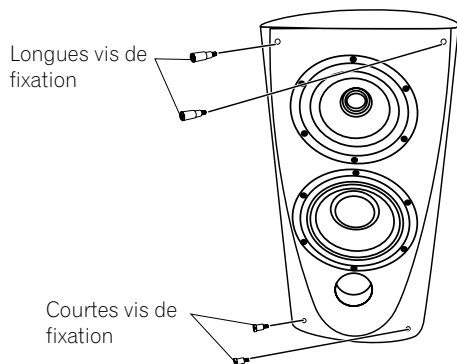
Fixation et retrait de la grille avant

La grille avant de cette enceinte acoustique est amovible. Procédez comme suit pour fixer ou retirer la grille.

Fixation de la grille

1 Insérez les vis de blocage fournies dans les quatre orifices prévus sur l'avant de l'enceinte acoustique.

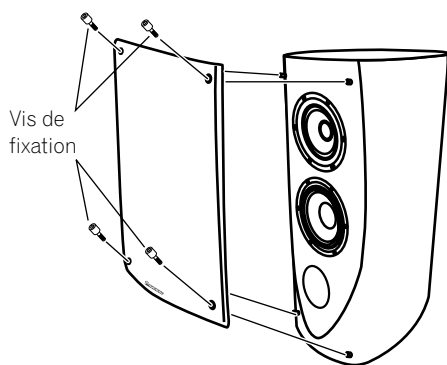
Serrez les vis sur l'avant de l'enceinte avec les doigts (et pas avec un tournevis).



2 Alignez les orifices prévus sur la grille avec les bouts saillants des vis sur l'avant de l'enceinte et appuyez fermement.

3 Insérez les vis de finition fournies sur les quatre orifices à l'avant de la grille et serrez pour les fixer.

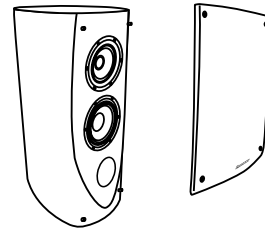
Serrez les vis de finition avec les doigts.



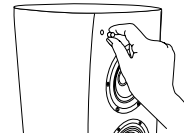
Dépose de la grille

1 Desserrez puis déposez les vis de finition des quatre coins à l'avant de la grille.

2 Après avoir retiré la grille, enlevez les vis de fixation insérées dans les quatre orifices sur l'avant de l'enceinte.



Vous pouvez éventuellement insérer les capuchons fournis dans les orifices.



Important

- Ne vous servez pas d'un tournevis (ou d'une clé hexagonale) pour serrer les vis. Un serrage excessif pourrait endommager l'enceinte.
- Lorsque vous ne les utilisez pas, rangez les vis avec ce mode d'emploi en vue de leur utilisation ultérieure.

Blindage magnétique

Ces enceintes acoustiques sont pourvues d'un blindage magnétique. Cependant, selon l'endroit de leur installation, une distorsion des couleurs peut se produire si ces enceintes sont disposées tout près d'un téléviseur.

Dans cette éventualité, mettez le téléviseur hors tension, puis remettez le sous tension 15 min à 30 min plus tard. Si la difficulté subsiste, écarter les enceintes par rapport au téléviseur.

Nettoyage du coffret de l'enceinte

Normalement, il suffira de frotter le coffret de ces enceintes avec un linge sec pour maintenir leur propreté. Au besoin, trempez un linge dans un détergent neutre allongé de 5 à 6 fois son volume d'eau et essorez bien le linge avant de l'utiliser pour frotter le coffret.

N'utilisez pas de cire ou de détergent pour mobilier. N'employez jamais de diluant, benzine, insecticide en atomiseur ou autre produit chimique sur les coffrets ou à proximité, car cela endommagerait leurs surfaces.

Fiche technique

Coffret	Type bibliothèque, baffle reflex (à blindage magnétique)
Configuration	3 voies
Woofers	Cône de 18 cm (7 ¹ / ₁₆ pouces)
Tweeter	Cône de 14 cm (5 ¹ / ₂ pouces) / Dôme de 3,5 cm (1 ³ / ₈ pouces)
Impédance nominale	6 Ω
Réponse de fréquence	34 Hz à 100 kHz
Sensibilité	86,5 dB (2,83 V)
Puissance d'entrée maximum	200 W
Dimensions extérieures	
.....	291 (L) mm × 565 (H) mm × 413 (P) mm
.....	11 ⁷ / ₁₆ (L) pouces × 22 ¹ / ₄ (H) pouces × 16 ³ / ₄ (P) pouces
Poids	28 kg / 61 livres 12 onces

Accessoires fournis

Pointes de découplage d'enceinte (avec écrous fixés)	x4
Bases pour pointes de découplage	x4
Longues vis de fixation (pour grille)	x2
Courtes vis de fixation (pour grille)	x2
Capuchons	x10
Vis de fixation (pour grille)	x4
Grille	x1
Mode d'emploi	x1



Remarque

- Spécifications et design sous réserve de modifications sans préavis en raison d'améliorations éventuelles.



Rappel

- Du véritable bois naturel est utilisé pour la construction des coffrets de ces haut-parleurs. Ils se caractérisent par une couleur et une profondeur remarquables, nettement plus attrayantes que celles des placages en plastique et autres matériaux comparables.

Mais jamais deux morceaux de bois naturel ne seront exactement les mêmes. Gardez cette réalité à l'esprit en écoutant les sons de vos haut-parleurs.



Grâce à la collaboration des AIR studios, cette enceinte s'est vu décerner la qualification "AIR Studios Monitor Reference".



Cette marque de fabrique est apposée sur un produit, doté de la technologie Contrôle de Phase de Pioneer.

Cette technologie rend possible une restitution sonore de haute qualité par chaque composant grâce à l'amélioration de la correspondance générale de phase.

Publication de Pioneer Corporation.

© 2006 Pioneer Corporation.

Tous droits de reproduction et de traduction réservés.

Muchas gracias por la adquisición de este producto Pioneer. Lea todo este manual de instrucciones para aprender a operar correctamente su modelo. Después de haber leído las instrucciones, guarde el manual en un lugar seguro para poderlo consultar en el futuro.

Contenido de la caja



Características de estos sistemas de altavoces

- Han sido fabricadas con la innovadora tecnología TAD
- Altavoz de agudos doble concéntrico de berilio
- Altavoz de graves de 18 cm compuesto y reforzado con fibra de arámida/carbón
- Diseño perfecto para esta época

Antes de comenzar

- La impedancia nominal de este sistema de altavoces es de 6 Ω . Conecte el sistema de altavoces a un amplificador que tenga una impedancia de carga de 4 Ω a 16 Ω (un modelo que tenga inscrito "4 – 16 Ω " en los terminales de salida de altavoces del amplificador).
- No toque las membranas de los altavoces porque pueden dañarse con facilidad.

Para evitar daños en el sistema de altavoces debido a una sobrecarga de entrada, tenga presente las precauciones siguientes:

- No suministre potencia al sistema de altavoces si excede la entrada máxima permisible.
- Cuando conecte o desconecte cualquier dispositivo de su sistema audiovisual, asegúrese de que la alimentación del amplificador esté desconectada.
- Cuando emplee un ecualizador gráfico para acentuar los sonidos altos de la gama de agudos, no aplique un volumen excesivo del amplificador.
- No trate de forzar a un amplificador de poca potencia para que produzca altos volúmenes de sonido (se incrementaría la distorsión armónica del amplificador, y podría dañarse el altavoz).

Precaución: instalación

- No ponga el altavoz sobre una superficie inestable. Correría el peligro de caídas, pudiendo ocasionar heridas y daños en el equipo. Si pone el altavoz sobre una alfombra gruesa, le recomendamos emplear los pernos para obtener mayor estabilidad.
- Desconecte la alimentación y desenchufe su equipo audiovisual y consulte las instrucciones antes de conectar componentes. Asegúrese de emplear unos cables de conexión adecuados.
- No ponga ningún televisor ni otros equipos audiovisuales sobre este altavoz. Correría el peligro de caídas, pudiendo ocasionar heridas y daños en el equipo.
- No instale los altavoces en una posición elevada ni en la pared. La rejilla de altavoz, si se monta incorrectamente, puede caerse y ocasionar daños o heridas personales.
- No instale estos altavoces en la pared ni en el techo. Podrían caerse y provocar lesiones.

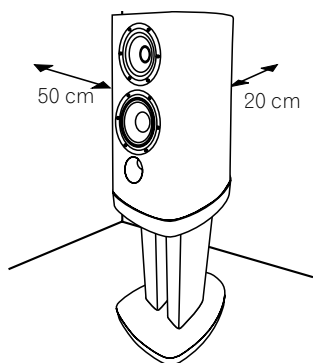
Precaución: durante la utilización

- No emplee el altavoz para emitir sonido distorsionado durante largos períodos de tiempo. Correría el peligro de incendios.
- No se suba ni se siente encima del altavoz, y no permita que los niños jueguen sobre el altavoz.
- No ponga objetos grandes ni pesados sobre el altavoz.

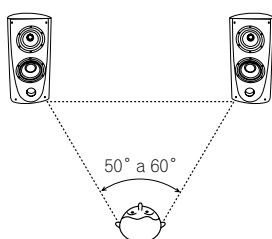
Instalación del altavoz

Observe las advertencias siguientes para la instalación de altavoces:

- Estos altavoces son del tipo estante, y ofrecen su mejor rendimiento cuando se ponen sobre una superficie sólida y nivelada apartada del piso. Si se ponen los altavoces directamente sobre el piso se producirá un sonido con retumbo y sin definición. De forma ideal, los altavoces de agudos deben quedar aproximadamente al nivel de los oídos cuando está sentado en la posición de audición. Le recomendamos emplear el soporte de altavoz CP-2EX para conseguir el óptimo sonido y estabilidad. *Si opta por emplear el soporte de altavoz CP-2EX, deberá fijarlo con los tornillos suministrados.*
- Los sonidos reproducidos por los sistemas de altavoces quedan fácil y sutilmente afectados por las condiciones del lugar de audición.
- Para obtener buen sonido, el altavoz deberá estar a unos 20 cm de la pared posterior y por lo menos a 50 cm de la pared lateral. Si la habitación tiene mucha reverberación, le recomendamos que cuelgue tela gruesa en las paredes, y/o que ponga una alfombra en el piso para amortiguar el sonido. Para obtener los mejores resultados, cubra las paredes por completo.



- Ponga los altavoces equidistantes con respecto a su posición de audición para obtener un buen sonido estereofónico. Emplee cables de conexión de la misma longitud para cada altavoz.



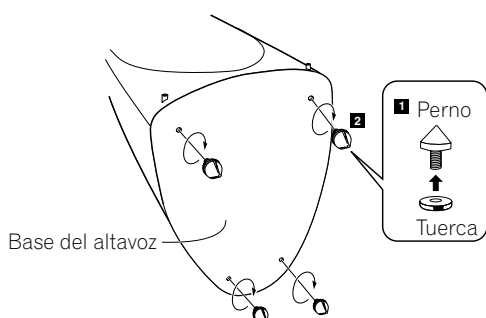
- Si emplea un juego de altavoces para el sonido de su televisor, éstas deben quedar equidistantes respecto al televisor y orientadas en su misma dirección.
- No ponga los altavoces en un lugar donde puedan quedar bajo la luz directa del sol, y tampoco cerca de estufas o acondicionadores de aire. Podría producirse deformación y decoloración de la caja acústica y podrían dañarse los altavoces.

Importante

- Pioneer no se hace responsable por ningún tipo de daño debido al montaje y a la instalación inadecuadas, al refuerzo insuficiente, a la utilización indebida del producto, a desastres naturales, etc.

Utilización de los pernos

Este sistema de altavoces incluye pernos que usted podrá utilizar para aislar del piso el altavoz. Se recomienda emplear los pernos cuando se ponen los altavoces sobre una alfombra gruesa (para mayor estabilidad), o para mejorar el sonido cuando se colocan sobre una superficie dura reverberante (como pueda ser un piso de hormigón o de madera). Emplee las bases de los pernos para evitar rayadas en el piso o en otras superficies.



1 Coloque los pernos en las tuercas suministradas.

2 Monte los cuatro pernos en las piezas metálicas roscadas que hay en la base del altavoz.

3 Seleccione la ubicación de instalación del altavoz y luego ponga las bases de los pernos en el piso.

4 Ponga recto el altavoz para que los pernos se apoyen en las bases de los pernos sobre el piso.

Asegúrese de que el altavoz quede estable y bien asentado sobre los cuatro pernos.

Precaución: Cuando utilice los pernos

- Tenga presente que estos pernos son metálicos y puntiagudos y pueden dañar la moqueta. Asegúrese de poner un paño o base adecuada antes del montaje.
- El altavoz pesa mucho (unos 28 kg) y puede ocasionar heridas graves si intenta ajustar los pernos con el altavoz de pie o inclinado. Asegúrese de poner un paño en el suelo para realizar los ajustes de los pernos con el altavoz acostado. Se aconseja realizar la colocación y la instalación entre dos o más personas.

Conexión al amplificador

Antes de la conexión al amplificador, asegúrese de que la alimentación del amplificador esté desconectada.

Este altavoz no se suministra con los cables para la conexión a un equipo estéreo. Tenga en cuenta lo siguiente para la selección de los cables.

- Emplee un cable de gran calibre, y de la mínima longitud necesaria.
- Si la longitud necesaria para los cables izquierdo y derecho es distinta, emplee cables de la misma longitud, aplicando la distancia más larga.
- Cuando adquiera los cables, tenga en cuenta que cada modelo difiere en sus características.
- Seleccione cables de la mínima resistencia posible, y asegúrese de que las conexiones de los cables al amplificador y al altavoz sean firmes y sólidas.

PRECAUCIÓN

Por estos terminales de altavoz circula **tensión ACTIVA que es PELIGROSA**. Para evitar el peligro de descargas eléctricas al conectar o desconectar los cables de altavoz, desenchufe el cable de alimentación antes de tocar las partes de los cables que no están aisladas.

D3-4-2-3_A_5p

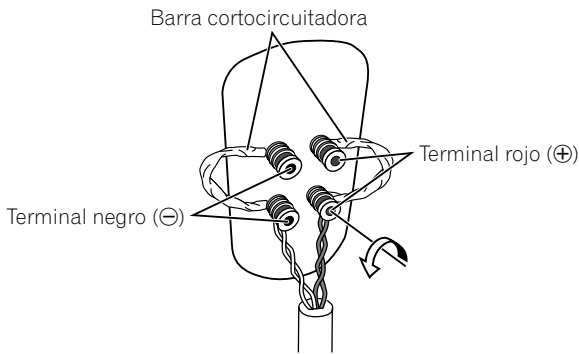
Conexión de los cables

1 Desconecte la alimentación del amplificador.

2 Conecte el extremo de un cable a los terminales de entrada (inferiores) de la parte posterior. En cuanto a la polaridad de los terminales, el rojo es positivo (+) y el negro es negativo (-).

Gire hacia la izquierda los bornes de cada terminal e inserte el cable en los terminales, y apriete luego los bornes para fijar la barra cortocircuitadora y los cables.

- Podrá emplear también clavijas fijadas previamente en el cable para efectuar esta conexión. Para ello, primero deberá extraer los bornes de los terminales.

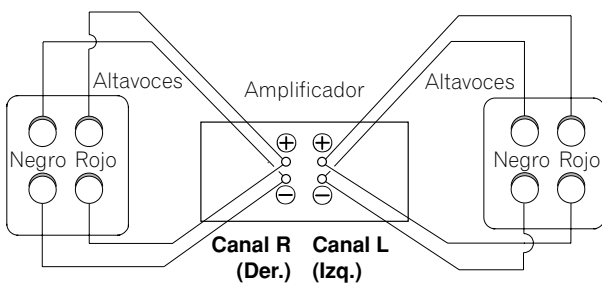


3 Conecte el otro extremo del cable a los terminales de salida de altavoz en el amplificador, en el canal asignado a al altavoz y manteniendo la polaridad (para más detalles al respecto, consulte el manual de instrucciones del amplificador).

- Después de haber efectuado la conexión tire ligeramente del cable para asegurar la seguridad y solidez de la conexión. Las conexiones defectuosas pueden ocasionar ruido e interrupciones del sonido.
- Si los conductores de los cables se salen de los terminales, y los conductores se ponen en contacto entre sí, se aplicará una carga adicional excesiva en el amplificador. Esto puede hacer que el amplificador deje de funcionar, y puede causar incluso daños en el amplificador.
- Cuando emplee un juego de altavoces conectados a un amplificador, no podrá obtener el efecto estéreo normal si se ha invertido la polaridad (+, -) de uno de los altavoces (izquierdo o derecho).

Bicableado

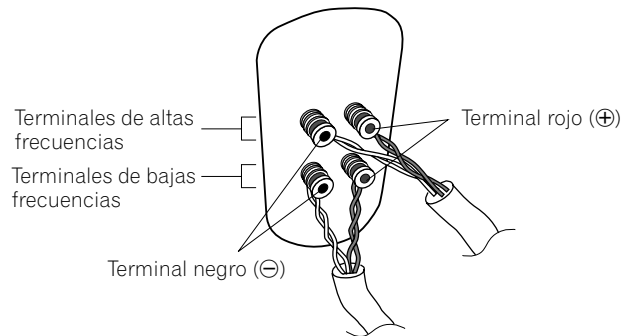
Para realizar el bicableado se necesitan dos cables para cada altavoz, uno para las altas frecuencias y el otro para las bajas frecuencias. El empleo de cables separados para las altas y las bajas frecuencias mejora el sonido.



1 Afloje los bornes de los terminales de entrada izquierdos y extraiga las dos barras cortocircuitadoras.

En este estado, los altavoces de bajas frecuencias son completamente independientes de los altavoces de las frecuencias más altas. Guarde las barras cortocircuitadoras en un lugar seguro para poderlas utilizar en el futuro. Los terminales inferiores son para los graves, y los terminales superiores son para los sonidos medios y los agudos.

2 Inserte el extremo de un cable en cada uno de los terminales, y apriete entonces los bornes.



Precaución: cuando se emplea bicableado

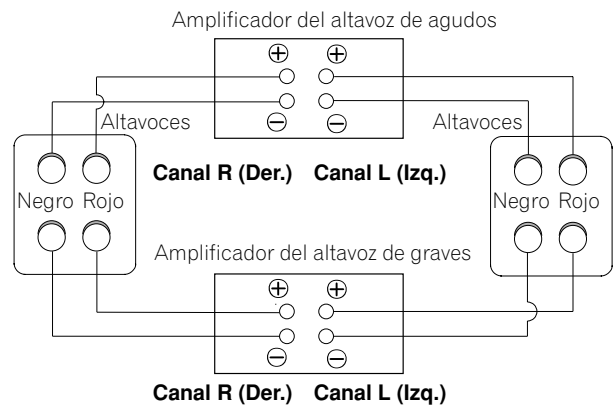
Tenga presente que en esta configuración, la conexión de los cables con la polaridad invertida puede degradar seriamente el sonido; consulte de nuevo la sección "Conexión de los cables" y confirme que los cables hayan sido conectados correctamente.

3 Conecte el par de cables correspondiente a cada canal de un altavoz al terminal correspondiente del amplificador (derecho o izquierdo) y conservando la polaridad.

Asegúrese de emplea el mismo tipo de cable para las conexiones de bajas frecuencias y el mismo tipo para las de altas frecuencias.

Cuando se utiliza biamplificación

El empleo de dos amplificadores es una forma de mejorar el rendimiento de los altavoces. Del mismo modo que con el bicableado, se extraen las barras cortocircuitadoras del terminal de en los altavoces, pero los terminales del woofer (altavoz de graves) se conectan a un amplificador distinto, exclusivo para bajas frecuencias, y los terminales del tweeter (altavoz de agudos) se conectan a un amplificador exclusivo para altas frecuencias.



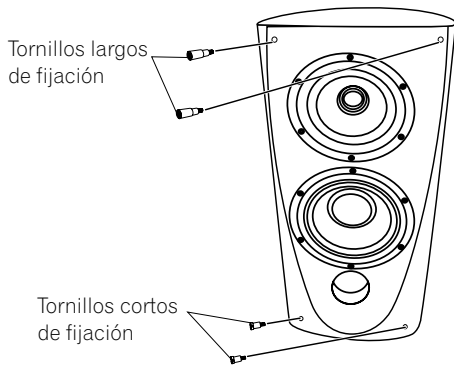
Colocación y extracción de la rejilla frontal

La rejilla frontal de este sistema de altavoces es extraíble. Siga las instrucciones de abajo para colocar/extraer las rejillas.

Colocación de la rejilla

1 Inserte los tornillos de fijación suministrados en los cuatro orificios provistos en el panel frontal.

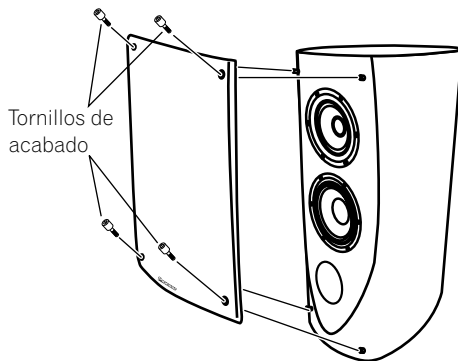
Emplee los dedos (y no un destornillador) para enroscar los tornillos en la parte frontal del altavoz.



2 Alinee los orificios de la rejilla con los extremos salientes de los tornillos del panel frontal y empuje con firmeza.

3 Inserte los tornillos de acabado suministrados en los cuatro orificios de la parte frontal de la rejilla y apriételes para fijarlos.

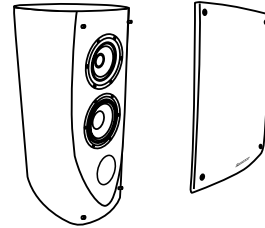
Apriete a mano los tornillos de acabado.



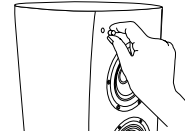
Extracción de la rejilla

1 Afloje, y luego extraiga los tornillos de acabado de las cuatro esquinas de la parte frontal de la rejilla.

2 Después de separar la rejilla, extraiga los tornillos de fijación de los cuatro orificios de la parte frontal del altavoz.



Opcionalmente, podrá insertar las tapas suministradas en los orificios.



Importante

- No emplee un destornillador (ni llave hexagonal) para apretar los tornillos. El apriete excesivo podría dañar el altavoz.
- Cuando no los utilice, guarde los tornillos junto con este manual de instrucciones para que no se pierdan.

Protección magnética

El sistema del altavoz tiene protección magnética. Sin embargo, dependiendo del lugar de instalación, pueden producirse distorsiones de color en la pantalla del televisor si los sistemas de altavoces están cerca de él.

Si así sucede, apague el televisor, y vuélvalo a encender después de 15 minutos a 30 minutos. Si el problema persiste, aparte del televisor el sistema del altavoz.

Limpieza

En condiciones normales de utilización, emplee un paño seco para frotar la superficie y mantener limpias las cajas acústicas. Si es necesario, límpielas con un paño humedecido en un detergente neutro diluido en cinco o seis partes de agua, y enjuáguelo bien. No emplee cera para muebles ni detergentes.

No utilice nunca, ni en la unidad como cerca de ella, disolventes, bencina, pulverizadores de insecticida u otros productos químicos, ya que estos productos podrían corroer la superficie.

Especificaciones

Tipo	Tipo estante con reflexión de graves (con protección magnética)
Configuración	3 vías
Altavoz de graves	Cono de 18 cm
Altavoz de agudos	Cono de 14 cm / domo de 3,5 cm
Impedancia nominal	6 Ω
Respuesta en frecuencia	34 Hz a 100 kHz
Sensibilidad	86,5 dB (2,83 V)
Potencia de entrada máxima	200 W
Dimensiones exteriores	291 (An) mm x 565 (Al) mm x 413 (Prf) mm
Peso	28 kg

Accesorios suministrados

Pernos de altavoz (con tuercas incorporadas)	x 4
Bases de pernos	x 4
Tornillos largos de fijación (para la rejilla)	x 2
Tornillos cortos de fijación (para la rejilla)	x 2
Tapas	x 10
Tornillos de acabado (para la rejilla)	x 4
Rejilla	x 1
Manual de instrucciones	x 1



Nota

- Especificaciones y diseño sujetos a posibles cambios sin previo aviso debido a mejoras del producto.



Recuerde

- Se usa madera real y natural en la fabricación de los armarios del sistema de altavoces. Por ello, el color y profundidad de su acabado es agradable y mucho más atractivo que los chapados plásticos y materiales similares.

No hay dos piezas de madera que sean totalmente iguales. Recuérdelo mientras disfruta de sus altavoces.



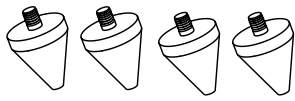
Con la colaboración de AIR Studios, este altavoz ha sido designado como AIR Studios Monitor Reference.



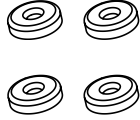
es una marca comercial que llevan los productos que incorporan la tecnología de control de fase de Pioneer. Esta tecnología permite la reproducción del sonido de alta calidad a través de cada componente mediante la mejora de la correspondencia de fase general.

銘謝購買日本先鋒公司產品。如您知道本型機器如何正確操作時，煩請熟悉以下的操作手冊。並在讀完後，請放在安全的地方保管，以備後日參考用。

包裝箱中的內容



- 揚聲器長螺釘
(帶安裝螺母)×4



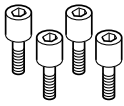
- 長螺釘底座×4



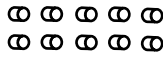
- 長的緊固螺絲扣
(護網用)×2



- 短的緊固螺絲扣
(護網用)×2



- 精細螺絲
(護網用)×4



- 螺帽×10

- 護網×1

- 操作手冊

本揚聲器系統的特徵

- 繼承最先端的TAD技術
- 採用鈹雙重錐形高音揚聲器
- 內裝聚醯胺纖維/炭素纖維加強綜合的18 cm 低音揚聲器
- 完善的時間調整設計

開始之前

- 本揚聲器系統標稱阻抗6 Ω。請將揚聲器系統連接到負載阻抗為4 Ω~16 Ω (揚聲器輸出端子標有“4 -16 Ω”的型號)範圍內的增幅器。
- 由於極易損壞，請勿觸摸揚聲器的圓錐體。

為防止輸入超載致使揚聲器系統受損壞，請遵守下列所示使用前的注意事項：

- 請勿對揚聲器提供超出輸入最大容許量的電源。
- 當您要連接或卸下AV系統的任何端子時，請確實確認增幅器已經關電。
- 為強調高頻率的大音響而使用圖形等化器時，請勿過度使用增幅器的音量。
- 請試一下勿使低音頻的增幅器輸出大音量的噪音。(由于增幅器諧波失真而加大音量有可能破壞揚聲器。)

注意：設置

- 請勿將揚聲器放置在不穩定的平台。這樣掉下來時，會受害或使裝置設備損壞。若揚聲器安置在厚的地毯上時，我們建議使用提供的穩定揚聲器的固定長螺釘用具。
- 連接組件時，請關掉AV設備並把插銷拔下來。請參考使用說明書，務必確認清楚正確的連接電纜。
- 請勿在揚聲器上放置電視機或其他AV機器設備。掉下時，會受到災害或使設備破損。
- 請勿將揚聲器安置在頭上的天花板或牆壁上。安裝不正確時，揚聲器護網有可能落下而損壞或帶來人體的傷害。
- 請勿將揚聲器安置在牆壁或天花板上。落下時有可能帶來傷害。

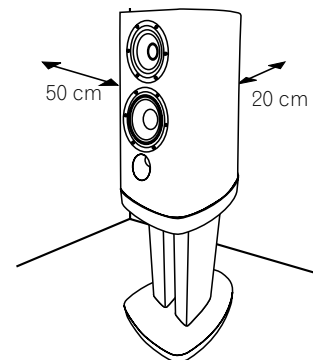
注意：在使用時

- 使用本揚聲器請勿長時間輸出失真的音響，這會帶來火災的危險。
- 請勿坐在或站在揚聲器上面或讓小孩子在揚聲器的上面遊玩。
- 請勿在揚聲器上放置大型物或重量大的物件。

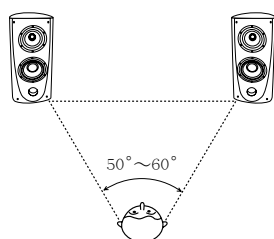
揚聲器的設置

安置揚聲器時請遵守下列要點：

- 本揚聲器為書架型，放置於離地板穩定的平面時，能發揮它最佳的特性。將揚聲器直接放在地板上時，會帶有嗡嗡響和模糊的聲音。在理想上高頻揚聲器的音色坐在聽賞的位置大體上應該可以聽得見。為了能夠獲取最佳的音色和穩定性，建議使用CP-2EX揚聲器支架。
若選擇使用CP-2EX揚聲器支架時，請確認一下使用附件的螺絲固定。
- 透過揚聲器播放的音色，根據無形的空間狀態音效容易受到微妙的影響。
- 為了得到優雅的音色，揚聲器至少從背面牆壁距離20 cm，從側面牆壁大約要離開50 cm。如果房間有許多反射回音時，建議牆壁最好挂上有厚度重量的布簾或地板鋪上地毯來防止聲音的振動。為了取得最佳的效果最好牆壁都全部遮蓋起來。



- 為取得良好的立體聲音效，請將揚聲器放置於聽賞位置等距離的地方。各揚聲器請使用同樣長度的軟線。



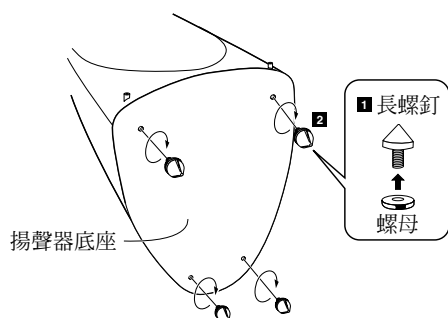
- 如果電視機聲音使用整套的揚聲器，請將揚聲器放置於任何方向都等距離的地方，同時將揚聲器和電視機都朝向同樣的方向。
- 請勿把揚聲器放在陽光直接照射得到的地方，同時避免放置於電熱器和空調機的附近。這樣說不定會引起揚聲器機箱變形和變色以及損壞到揚聲器。

重要

- 日本先鋒公司對於部件的組裝，錯誤設置、加強不夠充分、誤用以及由自然行為所引起的故障，不負責一切損害的賠償責任。

使用長螺釘

本揚聲器系統包括附件長螺釘，可使揚聲器隔離地板。建議安置揚聲器在厚的地毯(為增加穩定性)或為堅固的反射回音(譬如水泥或地板)上，以獲得較好的音效。利用附件的長螺釘底座以避免損傷地板或其它揚聲器安置地方的表面。



- 將長螺釘安裝在附件的螺母上。
 - 將4個長螺釘全部安裝在揚聲器底座帶金屬的插座上。
 - 選擇揚聲器設定的位置，將長螺釘底座安置在地板上。
 - 長螺釘乘放在地板上的長螺釘底座上，然後請將揚聲器直立放置。
- 穩固揚聲器並確認4個長螺釘全部放置於四角形的位置上。

注意：當使用長螺釘時

- 由於長螺釘是鋒利的金屬，請留意可能會使地板受到損傷。因此，安裝前請先確認在地板上鋪上布塊或適當的底座。
- 揚聲器非常重(約有28 kg)，揚聲器立著或是依靠著的狀態時嘗試調整長螺釘時，會帶有重大的損傷或負傷的可能。請確認墊上一層毛布使揚聲器平躺放著的狀態下進行長螺釘的調整。建議在設置及安裝時請用2個人以上來進行。

增幅器的連結

在連結增幅器之前，請先確認增幅器的電源已經關閉。

本揚聲器並不附帶立體聲設備的揚聲器電纜，在選用揚聲器電纜時請注意下列事項。

- 儘可能選用粗的揚聲器電纜，必要保持最短的所需長度。
- 當左右長度不同時左右皆使用較長端的長度(相同長度的長度)。
- 無論選用那一種電纜，請留意電纜各有不同的特性。
- 儘可能選用阻抗小的電纜並確保對揚聲器端子和增幅器間的連接能夠非常確實牢固。

注意

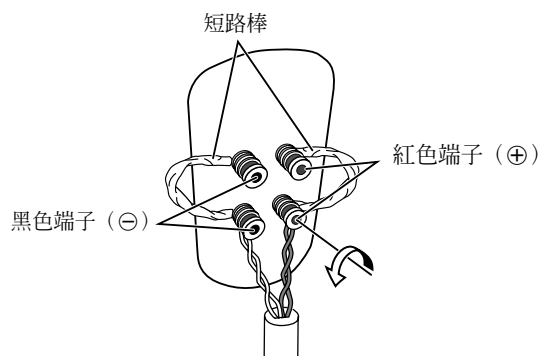
揚聲器端子帶有**有害的電壓**。連接或切斷電源線時，為避免觸電之風險，請在接觸任何未絕緣部分前先將電源切斷。

D3-4-2-3_A_ChH

電纜的連結

- 關閉增幅器的電源。
- 連接揚聲器接線於揚聲器背面的輸入端(下方)。輸入端子的極性是紅色為正極(+)，而黑色為負極(-)。在下面位置上的輸入端子旋鈕向左旋轉(反時鐘方向)，並將揚聲器電纜插入到輸入端子的孔內，然後旋緊輸入端子的旋鈕並固定好短絡棒及接線。

- 本連接作業可用香蕉插頭來做連結。做此之前必須先從端座上除去蓋子。

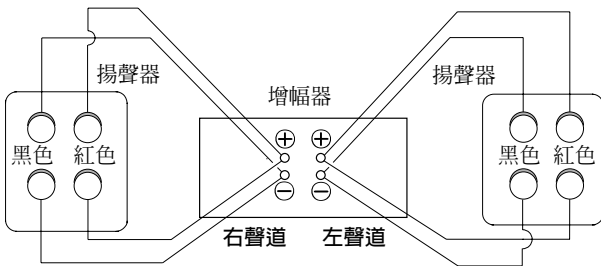


3 將電纜的另一端連接於增幅器的揚聲器輸出端子上(詳細請參照增幅器的操作手冊)。

- 當連結插座後，請輕拉一下電纜的短部與端子是否確實的連接好。不良的連結，將導致噪音與聲音的中斷。
- 如果電纜的接線時有脫落，使接線互相接觸導致增幅器的過度負荷，這樣可能造成增幅器停止工作或損壞。
- 使用連接於增幅器的揚聲器套接時，揚聲器(左右)的正負極(⊕, ⊖) 連接錯誤的話，將無法得到正確的立體聲效果。

雙線連接

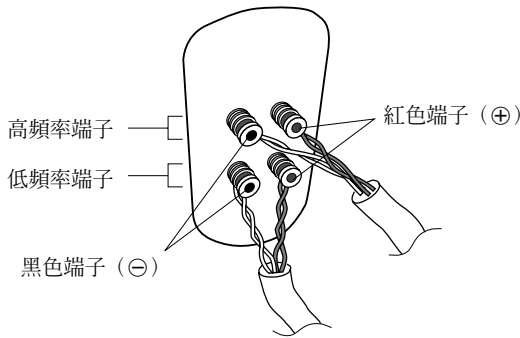
雙線連接時每個揚聲器需要二條接線。一條連接高音用，另一條接低音用。利用高音低音採用不同接線來改善音色。



1 向左鬆開輸入端子旋鈕，移除二個短路棒。

在這個狀態，高頻率揚聲器與低頻率揚聲器是完全分開獨立的。保存短路桿以供後日使用。下面的端子是供低音用的，上面的端子是中、高音用。

2 將揚聲器電纜分別連接於各個輸入端子的插孔中，然後旋緊輸入端子旋鈕。



注意：當使用雙線連結時

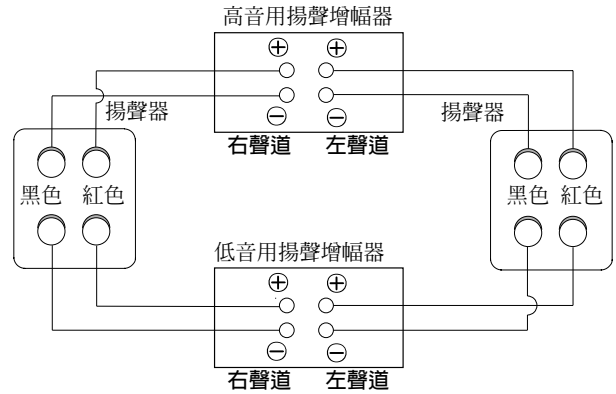
本設定如果極性的連接設定有錯誤，會嚴重地降低音質。請再參照“電纜的連結”並確認接線是否正確連接。

3 將雙配連接到增幅器相同的揚聲器端子(注意勿使正負電極相反)。

低頻率的連接請用同型號的電纜、高頻率的連接也同樣請使用同型號的電纜。

雙增幅器

雙增幅器是揚聲器連接的強有力的方法。利用雙搭接時，輸入端子的短絡棒已被取下，低頻率端子連接於獨立的專用低頻增幅器上，而頻率端子連接於專用的高頻率增幅器上。

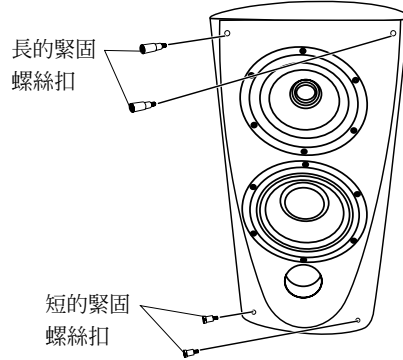


前面護網的裝卸

本揚聲器的前面護網可以裝卸。護網的安裝/卸下請按照下面的指示。

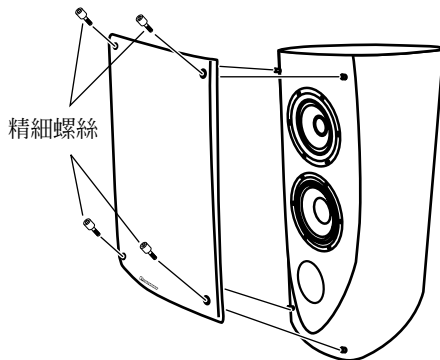
安裝護網

1 將附件的緊固螺絲扣插入揚聲器前面的4個插孔。用手指將螺絲固定於揚聲器前面(不用螺絲刀)。



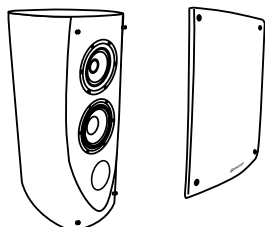
2 請將揚聲器的前面凸出的螺絲端部，對齊護網上的孔並結實地按下。

3 請將附件的精細螺絲插入於護網前面的4個孔，並請用手指擰緊精細螺絲。請用手指擰緊精細螺絲。

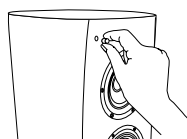


取下護網

- 1 鬆開位於護網四周的精細螺絲之後，並把它卸下來。
- 2 取下護網之後，從揚聲器前面的4個孔中，取下緊固螺絲扣。



可隨意選擇嗜好的附件螺帽插入孔中。



重要

- 請勿用螺絲刀(或六角扳手)擰緊螺絲。過度用力擰緊會使揚聲器損傷。
- 不使用時，請將螺絲和本操作手冊一起保管。

磁性屏蔽

本揚聲器系統帶有磁性屏蔽。但根據設置的位置，揚聲器系統極端靠近電視機組時，可能發生彩色失真。

發生這種情況時，請關斷電源之後，經過15分~30分才重新打開電源。如果還繼續發生這種現象請將揚聲器系統離開電視機的位置放置。

揚聲器機箱的維護

平常使用時，只用乾布擦拭就能充分保持機箱的乾淨。必要時請用5~6倍的水加入中性洗衣劑液，然後用充分擰乾水的擦布擦拭。請勿用家具用的打蠟或清潔劑。

由於表面會受到侵蝕，在本裝置上或附近請絕對勿使用稀釋劑、揮發油、殺虫劑或其他化學藥品。

規格

機殼	低音反射書架型(防磁式)
配置	3路
低音揚聲器	18 cm錐形
高音揚聲器	14 cm錐形 / 3.5 cm球頂型
標稱阻抗	6 Ω
頻率響應	34 Hz~100 kHz
靈敏度	86.5 dB (2.83 V)
最大輸入功率	200 W
外形尺寸	291 (寬) mm × 565 (高) mm × 413 (深) mm
重量	28 kg

附件	
揚聲器長螺釘(帶安裝螺母)	×4
長螺釘底座	×4
長的緊固螺絲扣(護網用)	×2
短的緊固螺絲扣(護網用)	×2
螺帽	×10
精細螺絲(護網用)	×4
護網	×1
操作手冊	×1

備註

- 規格及設計有因產品改善而有所變更，恕不另行通知。

請記住

- 完全採用天然原木製作的揚聲器系統的機箱結構。精美的色彩和濃度為最大的特色。比塑料、合板及類似的材料選更富有魅力。
天然原木不可能兩張完全相同的。請記住這點觀賞本揚聲器的樂趣。



承蒙AIR Studios公司的協助、本揚聲器被指定為AIR Studios Monitor Reference 的規範。

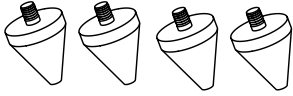


是根據日本先鋒公司開發的相控制的技術概念。這是通過從錄音到播放改善階段匹配特性的產品所授予的商標。

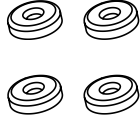
日本先鋒公司出版。
版權 © 2006 日本先鋒公司。
版權所有。

感谢您购买日本先锋公司产品。请通读本使用说明书，以便掌握如何正确操作本装置。读完本使用说明书后，请保管在安全场所，以备日后作为参考使用。

包装箱内的零部件



- 扬声器销钉
(在安装螺母) ×4



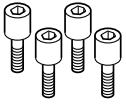
- 销钉座×4



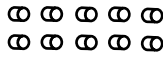
- 长紧固螺丝
(扬声器架子用) ×2



- 短紧固螺丝
(扬声器架子用) ×2



- 装饰螺丝
(扬声器架子用) ×4



- 帽×10

- 扬声器架子×1

- 使用说明书

本扬声器系统的特色

- 结构遵循尖端TAD技术
- 铍两同心高音扬声器
- 芳族聚酰胺/碳纤维增强组合18 cm低音扬声器
- 完善的时间校正设计

开始使用之前

- 本扬声器系统的标称阻抗为6 Ω。将扬声器系统连接到负载阻抗在4 Ω~16 Ω范围内的放大器（扬声器输出端子上标记有“4 - 16 Ω”的型号）。
- 由于极其易于损伤，请勿触摸扬声器纸盆。

为防止由于输入过载而造成扬声器系统损伤，请遵守下列注意事项：

- 不要超过最大容许输入向扬声器系统供电。
- 连接或拆卸任何所使用的视听装置时，确认放大器的电源被断开。
- 使用图像均衡器来增强高频率范围内的大声音时，请勿使用过度的放大器音量。
- 不要试图让低功率放大器产生大音量（放大器的谐波失真将增大，而可能会损伤扬声器）。

注意：设置

- 不要将扬声器放在不稳定的表面上。如果它落下，可能会导致危险，以及损伤装置。如果要扬声器放在厚地毯上，为了扬声器的稳定，建议使用附件扬声器销钉。
- 连接组件时，断开视听装置的电源并参照使用说明。确认使用正确的连接电缆。
- 不要在本扬声器的顶面上安放电视机或其他视听装置。如果它落下，可能会导致危险，以及损坏装置。
- 不要将扬声器安装在头上方的顶棚或墙壁上。如果固定不正确，扬声器架子可能会落下，导致扬声器损坏或人身伤害。
- 不要将扬声器安装在墙壁或顶棚上。它们可能会落下而导致伤害。

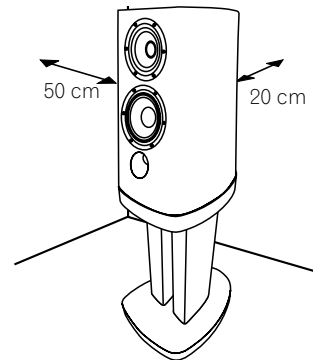
注意：使用中

- 不要使用扬声器来长时间输出失真的声音。这样可能会导致火灾危险。
- 不要在扬声器上坐下或站立，或让儿童在扬声器上游戏。
- 不要在扬声器顶面上安放物品。

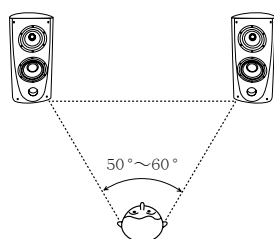
设置扬声器

设置扬声器时，请遵守下列要点：

- 本扬声器为书架式扬声器，在离开地板的坚固，平坦的表面上安放时提供最佳的特性。将扬声器直接安放在地板上将会造成轰鸣的，模糊的声音。理想的是，高音扬声器应在坐在欣赏位置时来到大约耳朵的水平。本公司建议使用CP-2EX型扬声器支架以获得最佳声音和稳定性。
如果选择使用CP-2EX型扬声器支架，请确认用附件螺丝加以固定。
- 通过扬声器系统播放的声音易于受到收听空间中条件的影响。
- 为获得良好的声音，扬声器应从背面墙壁离开约20 cm，从侧面墙壁离开至少50 cm。如果房间混响很多，建议墙壁上挂起厚织物，及/或地板上铺放地毯来衰减声音。为获得最佳结果，完全罩住墙壁。



- 为获得良好的立体声音响，将扬声器安放在从收听位置同等的距离。对各扬声器使用长度相同的扬声器导线。



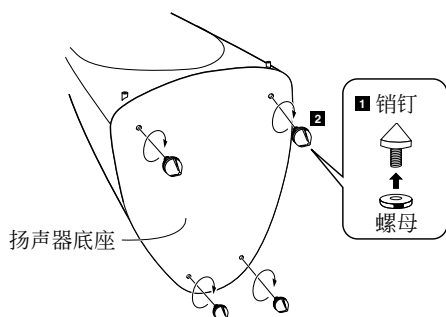
- 如果为电视声音使用一组扬声器，将扬声器设置于从电视机各侧面相同的距离，并使其指向与电视机相同的方向。
- 不要将扬声器安放在阳光直射的地方，以及使其避免位于取暖装置或空调器附近。否则可能会导致扬声器箱的翘曲和退色及扬声器的损坏。

重要

- 对于因装配、安装不适当、加固不充分、产品误使用、自然行为等而造成的损坏，日本先锋公司概不负其责任。

使用销钉

本扬声器系统配备销钉，可用以使扬声器从地板分离。在将扬声器安放在厚地毯上（为增加稳定性）时，或在将扬声器安放在硬的混响表面（如混凝土或木地板）上而要获得良好的声音时，建议使用销钉。使用附件销钉垫来避免划伤安放扬声器的地板或其他表面。



- 1 将销钉安装到附件螺母。
- 2 将4个销钉全部安装到位于扬声器底座的带螺纹的金属嵌入件。
- 3 选择用于设置扬声器的位置，然后将销钉座安放在地板上。
- 4 竖直安放扬声器以使销钉坐落在地板上的销钉座上。确认扬声器稳定并方方正正地坐落在全部4个销钉上。

注意：使用销钉时

- 应注意销钉为尖锐的金属而造成地板损伤。装配前确认铺有布或放有适合的底座。
- 本扬声器极其沉重（约28 kg），如果在扬声器竖立或倚靠的状态试图调整销钉可能会导致严重的损伤或伤害。确认铺上布并以平躺放倒扬声器的状态进行销钉的调整。建议更换和设定由2个以上的人员来进行。

连接到放大器

连接到放大器之前，确认扬声器的电源被断开。

本扬声器不包括用于连接到立体声装置的扬声器电缆。选择扬声器电缆时，需注意下列事项。

- 如果可能，使用粗号扬声器电缆，并保持电缆最小必要长度。
- 如果左和右扬声器需要的电缆长度不同，使用同一长度的，符合较长距离的电缆。
- 电缆具备不同的特性。使用任何电缆时，应牢记这一项。
- 尽可能选择电阻尽量小的电缆，并确认连接到扬声器端子和放大器的电缆确实和牢固。

注意

这些扬声器端子带有危险的带电电压。为了防止触电危险，连接或拆接扬声器电缆时，要在触摸任何未绝缘零部件之前拔下电源线。

D3-4-2-2-3_A_ChK

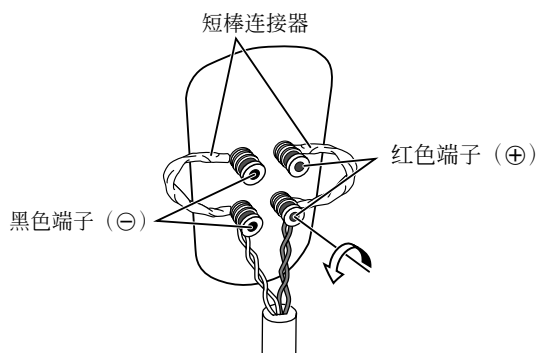
连接电缆

1 断开放大器的电源。

2 将扬声器电缆连接到位于扬声器背面上的输入端子（下面）。关于输入端子的极性，红色为正极（+）以及黑色为负极（-）。

拿住下面输入端子的帽旋钮，然后向左（逆时针）旋转，将扬声器电缆导线插入端子柱的孔中，然后紧固旋钮来固定短棒以及电缆导线。

- 本连接亦可使用香蕉插头。使用香蕉插头进行时，必须首先从端子柱取下帽。

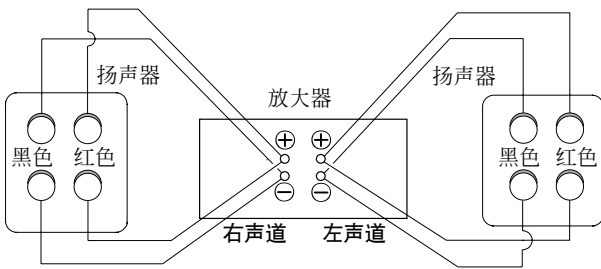


3 将电缆的另一端连接到放大器的扬声器端子（有关详情，见放大器的使用说明书）。

- 连接插头后，轻轻拉电缆来确认电缆尾端紧固连接到端子。连接不良可能会造成噪音和声音中断。
- 万一电缆导线从端子脱落，会使导线相互接触，给放大器施加过度的，额外的负载。这可能会造成放大器停止其功能，甚至可能损坏放大器。
- 使用一组连接到放大器的扬声器时，如果扬声器（左或右）的极性（⊕，⊖）相反，可能无法获得正常的立体声效果。

双接线连接

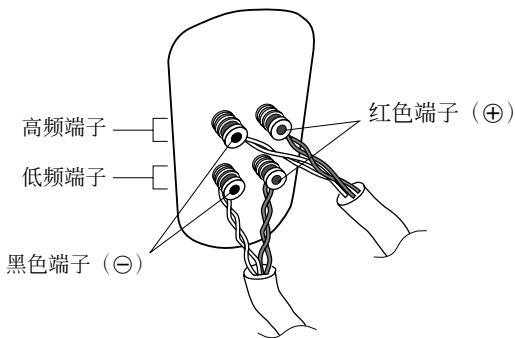
双接线对各扬声器需要2条电缆，1条用于高频率，另1条用于低频率。对高端和低端使用独立的电缆会改进音响。



1 旋松位于左输入端子上的帽旋钮并取下2个短棒。

在此情况，低频率扬声器和高频率扬声器完全独立。将短棒保管在安全的地方，以备日后使用。位于下面的端子供低音使用，上面的端子供中音和高音使用。

2 将扬声器导线插入各端子柱孔中，然后紧固旋钮。



注意：进行双接线时

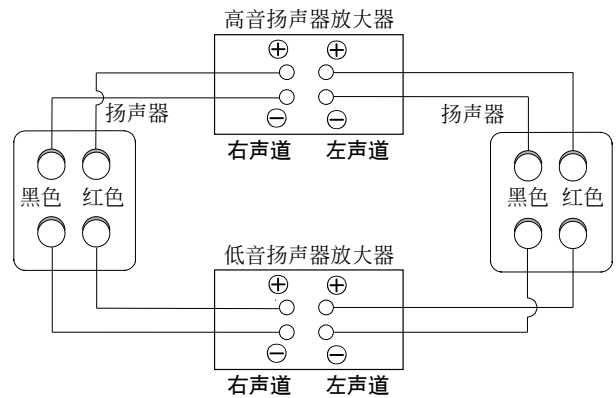
需注意在本步骤，极性相反连接电缆可能会严重降低音调。请重新参考“连接电缆”一节并确认电缆被正确连接。

3 连接匹配的一对电缆到放大器上相同的扬声器端子（注意极性不要相反）。

确认对低频率连接使用相同类型的电缆以及对高频率连接使用相同类型的电缆。

进行双放大时

双放大为扬声器的连接提供更强劲的方法。利用双放大时，输入端子的短棒被取下，但低频率端子被连接到独立的，专用的低频率放大器，而高频率端子被连接到专用的高频率放大器。



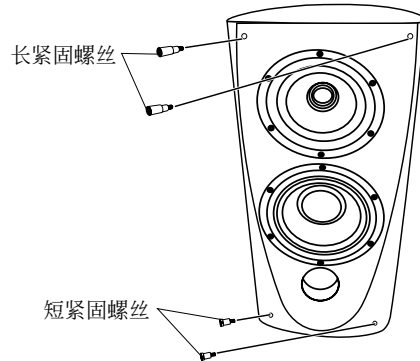
安装或拆卸扬声器架子

本扬声器系统的前面架子为可拆卸式。安装或拆卸扬声器架子需遵守下列指示。

安装扬声器架子

1 将附件紧固螺丝插入位于扬声器正面上的4个孔中。

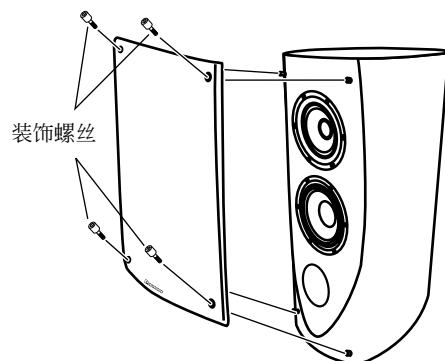
用手指（不是螺丝刀）来将螺丝固定在扬声器正面上。



2 对好扬声器架子上的孔和扬声器正面上螺丝端部的突出并牢牢按下。

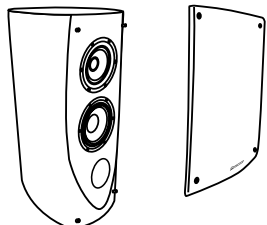
3 将附件装饰螺丝插入位于扬声器架子正面上的4个孔中。

用手指紧固装饰螺丝。

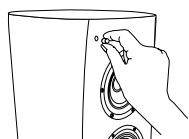


拆卸扬声器架子

- 1 从扬声器架子上4个角落旋松并取下装饰螺丝。
- 2 拆卸扬声器架子后，从扬声器正面上的4个孔中取下紧固螺丝。



视需可以将附件帽插入孔中。



重要

- 不要使用螺丝刀（或六角扳手）来紧固螺丝。过度紧固可能会损伤扬声器。
- 不使用时，将螺丝与使用说明书一起保管以便进行妥善的保管。

磁屏蔽

本扬声器系统为磁屏蔽式。但是，依设置位置，如果扬声器系统极端接近电视机的屏幕，可能会产生彩色失真。

遇此情况时，断开电视机电源，然后在15分~30分钟后重新接通电源。如果问题仍然存在，使扬声器系统远离电视机。

清洁扬声器箱

在正常使用情况，用一块干布应能够足以保持扬声器箱清洁。如果需要，用浸渍于以5或6倍水稀释的中性洗涤剂溶液中后充分拧绞的干布来擦拭。不要使用家具蜡或洗涤剂。

绝对不要在本装置上或附近使用稀释剂、石油精、杀虫喷雾剂或其他化学物品。由于它们会侵蚀装置表面。

规格

扬声器箱	低音反射书架式（磁屏蔽）
配置	3路
低音扬声器	18 cm纸盆
高音扬声器	14 cm纸盆/3.5 cm球顶形
标称阻抗	6Ω
频率响应	34 Hz~100 kHz
灵敏度	86.5 dB (2.83 V)
最大输入功率	200 W
外形尺寸	291 (宽) mm ×565 (高) mm ×413 (深) mm
重量	28 kg

附件	
扬声器销钉（在安装螺母）	×4
销钉座	×4
长紧固螺丝（扬声器架子用）	×2
短紧固螺丝（扬声器架子用）	×2
帽	×10
装饰螺丝（扬声器架子）	×4
扬声器架子	×1
使用说明书	×1

注

- 为改进，规格和设计可能会有更改，恕不另行通知。

请牢记

- 本扬声器系统机箱的结构使用真正的，天然的木材。其特征在于美观的颜色和深度，与塑料合板和类似材料比较，具有更大的魅力。
没有两块完全相似天然木料。请牢记本要点享受本扬声器提供的乐趣。



AIR STUDIOS

在得到AIR Studios的协力之下，本扬声器被指定为AIR Studios Monitor Reference(AIR Studios 监听器参考)。



为标记在配备日本先锋公司相位控制技术产品上的商标。
通过改进整个相位匹配，本技术可供通过各组件重放高品位的声音。

日本先锋公司出版。
版权 © 2006 日本先锋公司。
版权所有。

AFTER-SALES SERVICE FOR PIONEER PRODUCTS

Please contact the dealer or distributor from where you purchased the product for its after-sales service (including warranty conditions) or any other information. In case the necessary information is not available, please contact the Pioneer's subsidiaries (regional service headquarters) listed below:

PLEASE DO NOT SHIP YOUR PRODUCT TO THE COMPANIES at the addresses listed below for repair without advance contact, for these companies are not repair locations.

AMERICA

PIONEER ELECTRONICS (USA) INC.
CUSTOMER SUPPORT DIVISION
P.O. BOX 1760, LONG BEACH, CA 90801-1760, U.S.A.
CUSTOMER SERVICE HOTLINE : (800) 421-1404

EUROPE

PIONEER EUROPE NV
EUROPEAN SERVICE DIVISION
HAVEN 1087, KEETBERGLAAN 1, B-9120 MELSELE, BELGIUM

ASEAN

PIONEER ELECTRONICS ASIACENTRE PTE. LTD.
SERVICE DEPARTMENT
253, ALEXANDRA ROAD #04-01 SINGAPORE 159936

JAPAN AND OTHERS

PIONEER CORPORATION (HEAD OFFICE)
CUSTOMER SUPPORT CENTER
4-1, MEGURO 1-CHOME, MEGURO-KU, TOKYO 153-8654 JAPAN

S016_En

PIONEER CORPORATION

4-1, Meguro 1-Chome, Meguro-ku, Tokyo 153-8654, Japan

PIONEER ELECTRONICS (USA) INC.

P.O. BOX 1540, Long Beach, California 90810-1540, U.S.A. TEL: (800) 421-1404

PIONEER ELECTRONICS OF CANADA, INC.

300 Allstate Parkway, Markham, Ontario L3R OP2, Canada TEL: 1-877-283-5901

PIONEER EUROPE NV

Haven 1087, Keetberglaan 1, B-9120 Melsele, Belgium TEL: 03/570.05.11

PIONEER ELECTRONICS ASIACENTRE PTE. LTD.

253 Alexandra Road, #04-01, Singapore 159936 TEL: 65-6472-7555

PIONEER ELECTRONICS AUSTRALIA PTY. LTD.

178-184 Boundary Road, Braeside, Victoria 3195, Australia, TEL: (03) 9586-6300

PIONEER ELECTRONICS DE MEXICO S.A. DE C.V.

Blvd.Manuel Avila Camacho 138 10 piso Col.Lomas de Chapultepec, Mexico,D.F. 11000 TEL: 55-9178-4270

K002_A_En

日本先锋公司

日本国东京都目黑区目黑1-4-1

生产工厂：东莞百音电子有限公司

地址：中国广东省东莞市南城区白马村振兴工业园先锋路

经销商：先锋电子(中国)投资有限公司

地址：中国上海市淮海中路775号新华联大厦西栋18楼

产品原产地：中国制造
出版日期：2005年12月27日

K002MND_A_XCN