

INSTALLATION MANUAL

PLASMA DISPLAY MOUNT MODEL

PWM-6121

For service and parts contact:

Premier Mounts

3130 E. Miraloma Ave

Anaheim, CA USA 92806

Phone: (800) 368-9700 Fax: (800) 832-4888

Visit us at: www.mounts.com

- Safety & precautions
- Mount diagrams
- Parts List
- Installing the mounting bracket
- Installing the mount
- Electrical
- Securing the mounts
- Additional security

Safety & Precautions

WARNING Safety precaution measures must be practiced at all times during the installation of this product. Use proper safety gear and tools for the installations procedure to prevent personal injury or damage to the plasma displays or plasma mounts.

WARNING!

The wall or ceiling structure must be capable of supporting at least five (5) times the weight of plasma display. If not, the wall or ceiling must be reinforced. Proper installation procedure by qualified personnel as outlined in the installation instructions must be adhered to. Failure to do so could result in serious personal injury

The entire installation instructions should be fully read and understood, including all of the safety symbols and safety precautions, before beginning installation. The installation instructions should be read, understood and followed to prevent personal injury or property damage. Keep these installation instructions in an easily accessible location for future reference.



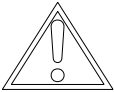
Indicates that the power plug is to be disconnected from the power outlet.



Contact Premier Mounts for any questions



Safety precautions must be taken at all times.



Warning and caution in general



A secured structure wooden stud wall must always support the weight or load of the plasma. Always confirm the center of the wood stud before beginning the installation.



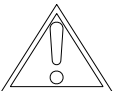
Do not install in locations where there is vibration, movement or danger of impact. Failure to do so could result in plasma cracking or falling from the wall causing damage and injury.



Do not install near heater, fireplace, direct sunlight or air conditioning or any other source of direct heat energy. Failure to do so may result in damage to the plasma television and could cause a risk of fire.



At least two qualified people should always perform the installation work. Injury and damage can result from dropping or mishandling the plasma television.



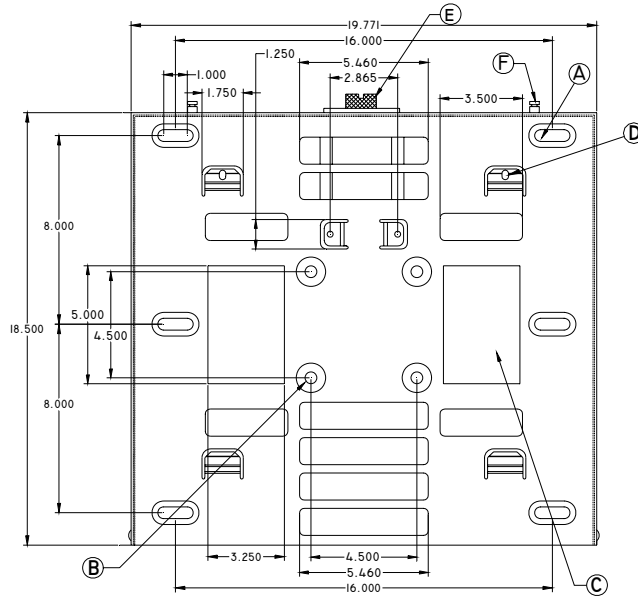
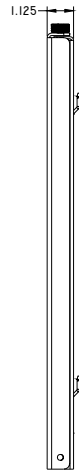
Mounting structure recommended wood studs, solid-flat concrete, and reinforced metal studs. If installing the mount on other than wood studs use (commercially available) suitable hardware.

Mount Diagrams

TILT BACK PLATE

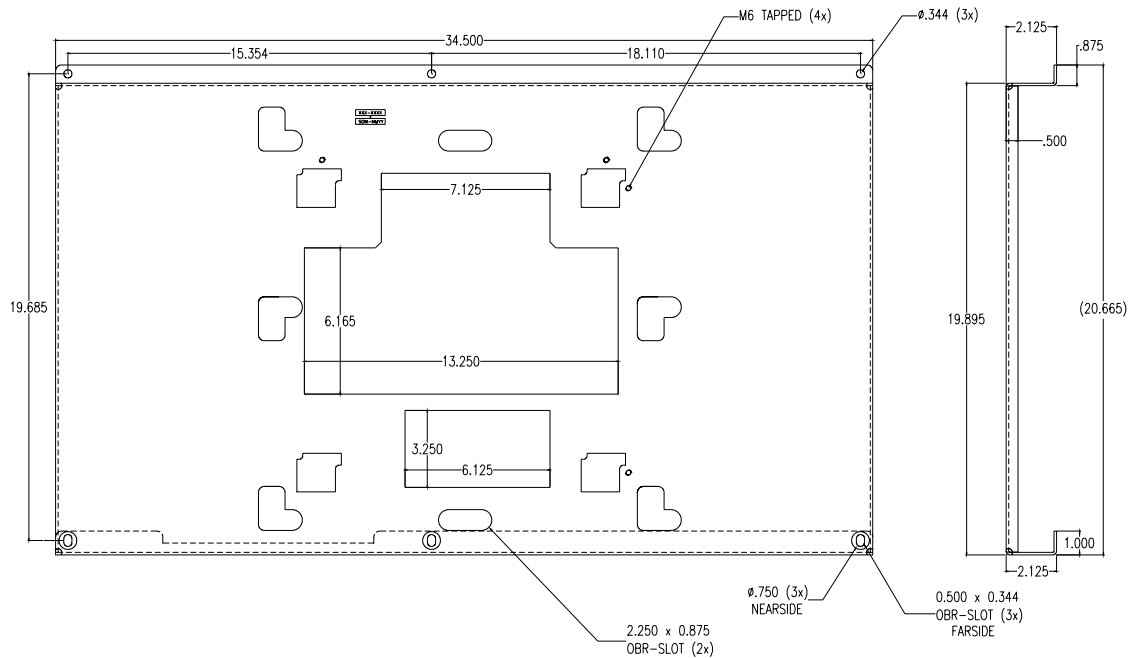
PART#:
PSB-TBP
MATERIAL:
12 (GA) CRS
COLOR:
Black powder coat

- A. Lag bolt access slot.
- B. Mounting points (4.5") used on installations other than wall mounting.
- C. Access hole for power or cables.
- D. Mounting points for additional security screws.



MOUNTING BRACKET

PART#:
Mounting bracket
MATERIAL:
12 (GA) P & O
COLOR:
Black Powder coat



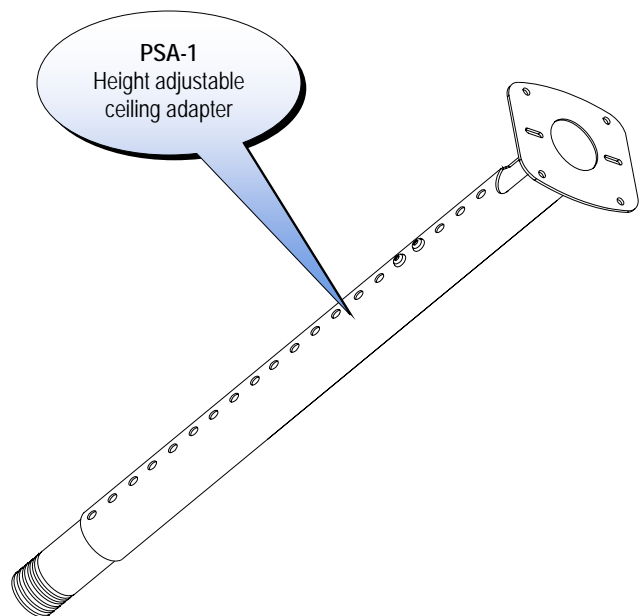
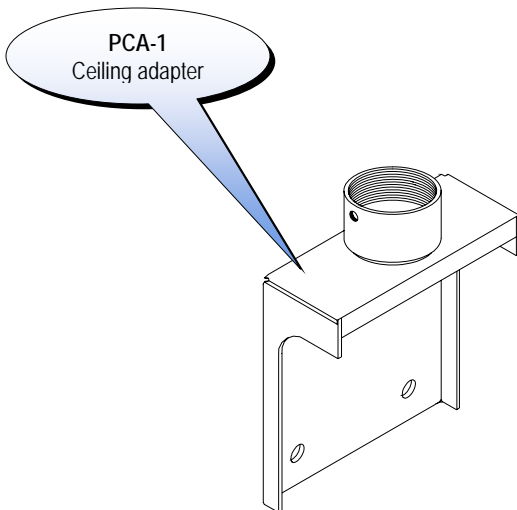
Parts List

HARDWARE LIST

QTY	SIZE	DESCRIPTION
6	5/16" Dia	Lag bolts
1	▪	Mounting bracket
1	▪	PSB-TBP tilt back plate
2	M6 x 12 (mm) Phillip security screws	Used for additional security on tilt mounts, mobile carts, floor stands and ceiling mounts
1	▪	Installations instructions
6	M8 x 20 Phillip screws	Mount hardware

TOOLS NEEDED

- Phillips screwdriver
- Drill gun
- Soft material or a blanket
- Pencil
- 1/4" drill bit
- Level
- Measuring tape
- Wrench with a 1/2" socket
- Stud finder



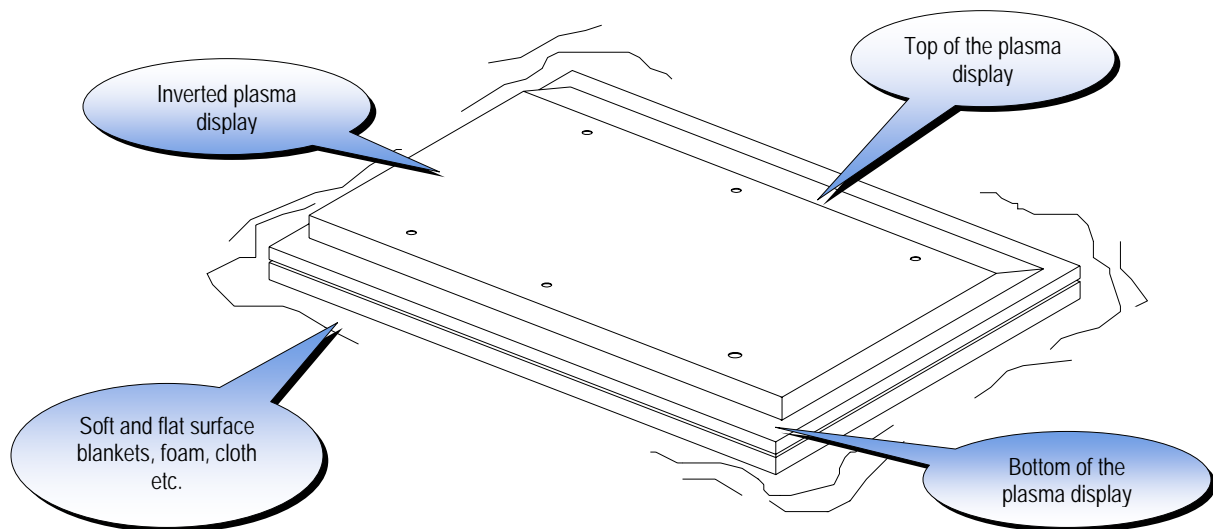
Installing the mounting bracket

WARNING: Proper installation procedure by qualified personnel as outlined in the installation instructions must be adhered to. Failure to do so could result in serious personal injury and possible damage to the plasma display.

Step 1

CAUTION: The plasma displays are fragile and heavy. At least two (2) qualified personnel are strongly recommended for the installation of this product. Invert the plasma display and set it on a flat and soft material such as (blankets, foam, cloth etc.) to prevent any damage to the plasma display. See fig 1.

Fig 1

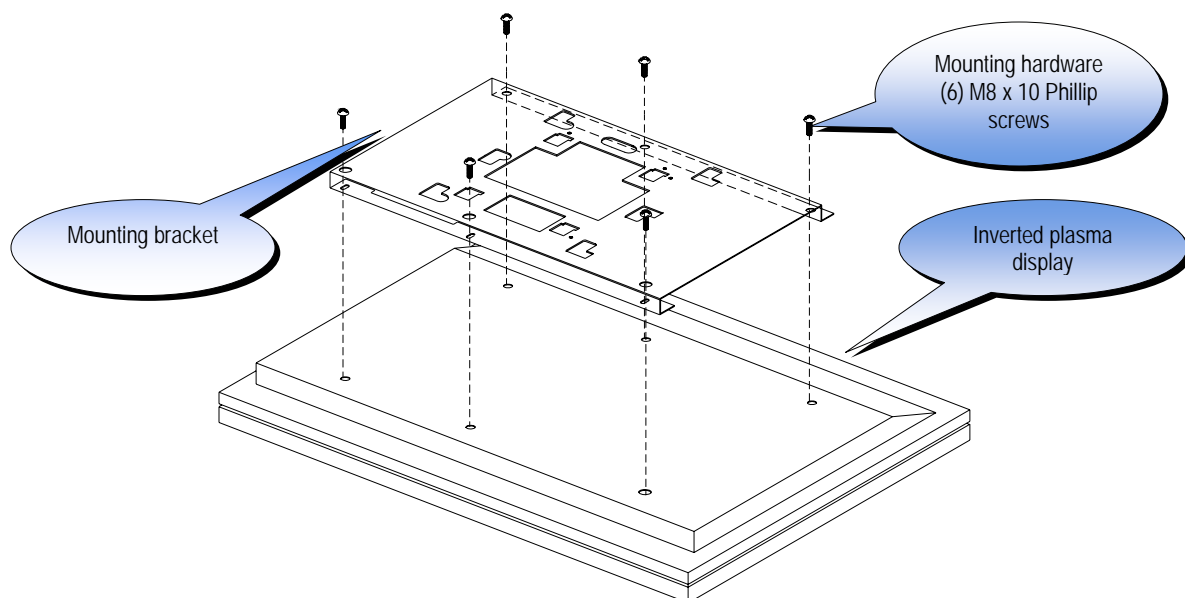


Step 2

Locate the mounting points found on the back of the plasma display, align the mounting holes from the mounting bracket to the holes on the plasma display. Arrow found on the mount must always be pointing to the top of the plasma display before securing it to the plasma display. Loosely install the six (6) M8 x 20 Phillip screws to the plasma then secure the screws with a Phillip screwdriver **CAUTION: Do not over tighten the M8 x 20 Phillip screws.** See fig 2.

WARNING: Do not use a drill gun to secure the screws to the plasma display. A Phillip head screwdriver is preferred.

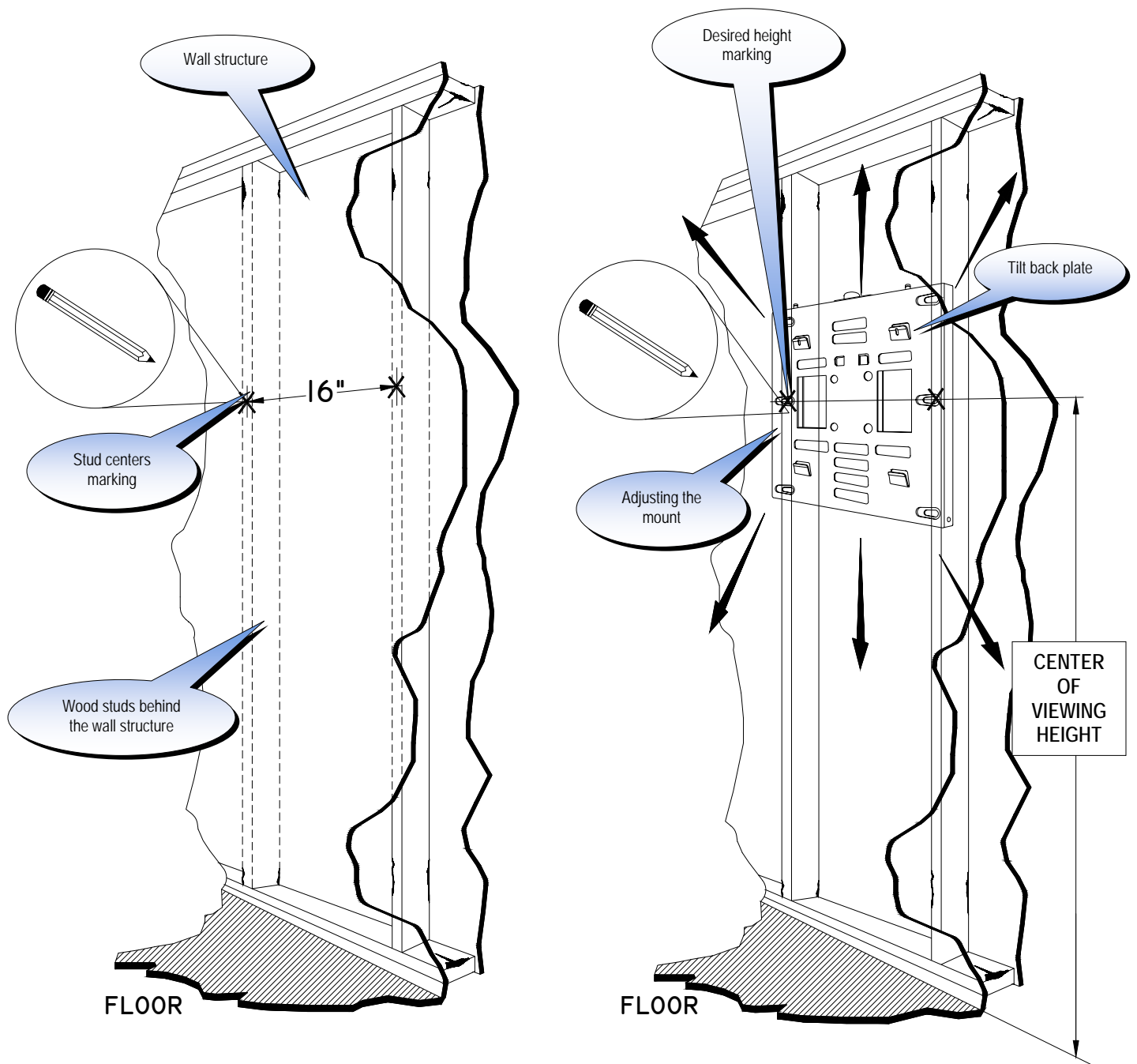
Fig 2



Installing the mounts

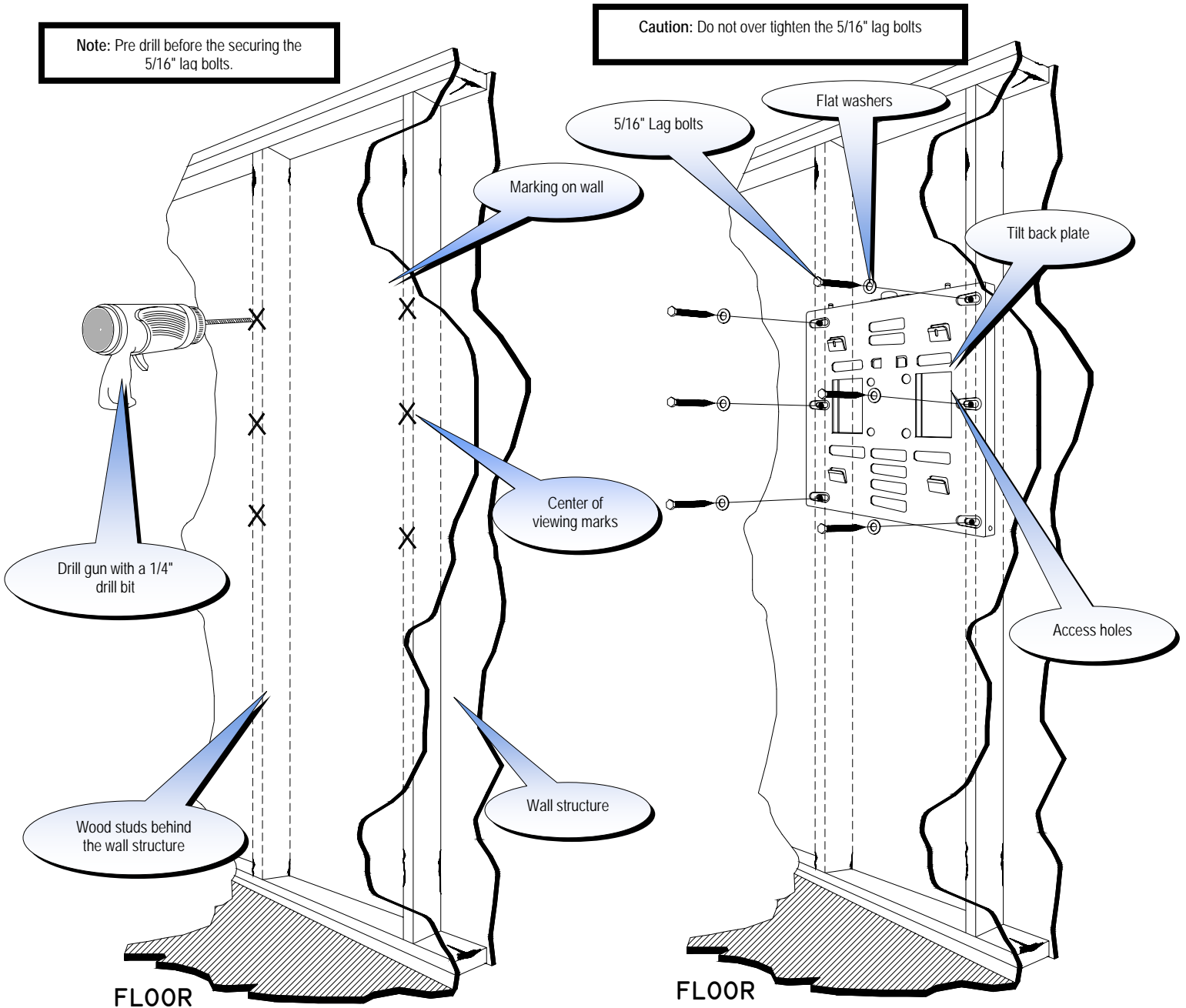
Step 3
CAUTION: The plasma displays are fragile and heavy. At least two (2) qualified personnel are strongly recommended for the installation of this product.
Please verify that your plasma mounting points from the back of the chassis are centered before installing the back plate if not take proper measurements for your installation requirements. Select the area where the plasma will be installed and make sure it can support the weight standards (see warning on page 3). Locate the 16" wood stud centers behind the wall using a (commercially available) stud finder and mark the center of the studs when found. Set the mounting bracket to the wall and mark the desired height by marking the wall mount. See fig 3.

Fig 3



Once the height is determined, use the bubble level to insure that the bracket is level. Next, using a pencil, mark the six (6) lag bolt slot openings on the mounting bracket. Before continuing, confirm the marks are located on the center of the studs. Drill 1/4" pilot holes on the six (6) markings on the wall. Raise the tilt back plate and have someone hold it in place (arrow side away from the wall and pointing up). Put the lag bolt through the flat washers. Screw the lag bolt through the upper left slot opening into the 1/4" pilot hole. Confirm that the wall mount is still leveled and then screw a lag bolt to the upper right side slot opening into the 1/4" pilot hole. Then install the remaining four lag bolts tightly into the wall studs in the lower left and right slot openings on the wall mount. Make any lateral positioning if any then secure the lag bolts. See fig 4.

Fig 4



Electrical

Step 4

All electrical wiring components should be installed at this time to ensure that the plasma display has enough power sources.

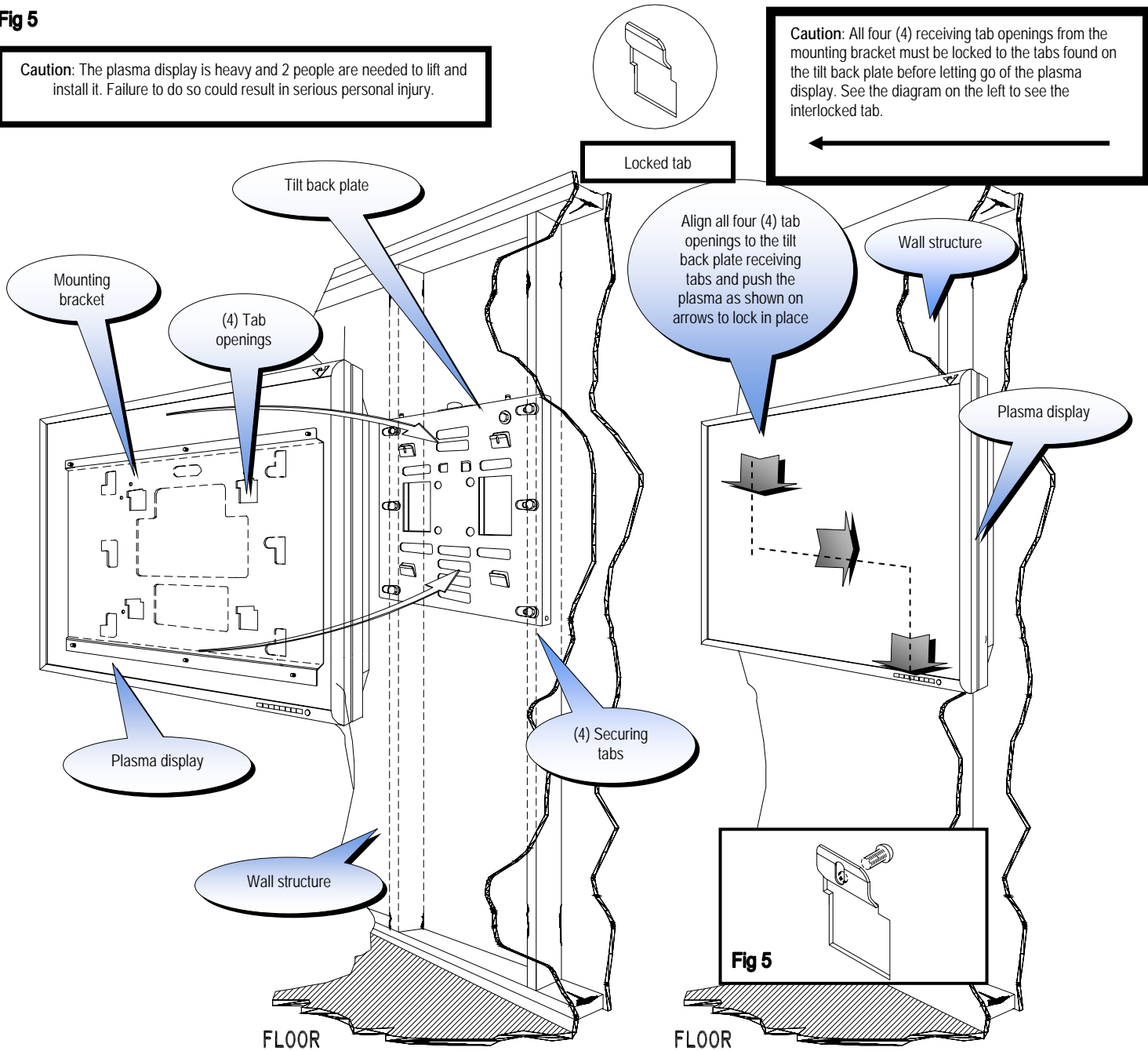
Securing the mount

Step 5
Warning: The plasma display is heavy and 2 people are needed to lift and install it. Failure to do so could result in serious personal injury.
Before placing the plasma on the wall recheck all hardware for proper tightness and security. Before installing, become familiar with the way the plasma mount attaches to the wall mount. Align the four (4) tab openings to the four (4) receiving tabs on the tilt back plate. When all four (4) the tabs are aligned slide the plasma down, right and down again to lock the mounts together. Make sure all (4) tab openings are interlocked with the receiving tabs before letting go of the plasma. See fig 5.

Fig 5

Caution: The plasma display is heavy and 2 people are needed to lift and install it. Failure to do so could result in serious personal injury.

Caution: All four (4) receiving tab openings from the mounting bracket must be locked to the tabs found on the tilt back plate before letting go of the plasma display. See the diagram on the left to see the interlocked tab.



Additional security

Step 6
For additional security gradually tilt the bracket forward using a Phillips screwdriver. Secure the two (2) M6 x 12 (mm) Phillips screws (screws) see fig 6. Do not over tighten the screws. Position the bracket to the desired angle. See fig 6.