

Pioneer *sound.vision.soul*

Wired Marine Remote Control

Télécommande câblée pour bateau

Owner's Manual Mode d'emploi CD-MR70

PIONEER CORPORATION

4-1, MEGURO 1-CHOME, MEGURO-KU, TOKYO 153-8654, JAPAN

PIONEER ELECTRONICS (USA) INC.

P.O. Box 1540, Long Beach, California 90801-1540, U.S.A.

TEL: (800) 421-1404

PIONEER EUROPE NV

Haven 1087, Keetberglaan 1, B-9120 Melsele, Belgium

TEL: (0) 3/570.05.11

PIONEER ELECTRONICS ASIACENTRE PTE. LTD.

253 Alexandra Road, #04-01, Singapore 159936

TEL: 65-6472-1111

PIONEER ELECTRONICS AUSTRALIA PTY. LTD.

178-184 Boundary Road, Braeside, Victoria 3195, Australia

TEL: (03) 9586-6300

PIONEER ELECTRONICS OF CANADA, INC.

300 Allstate Parkway, Markham, Ontario L3R 0P2, Canada

TEL: (905) 479-4411

PIONEER ELECTRONICS DE MEXICO, S.A. de C.V.

Blvd. Manuel Avila Camacho 138 10 piso

Col. Lomas de Chapultepec, Mexico, D.F. 11000

TEL: 55-9178-4270

Published by Pioneer Corporation.

Copyright © 2004 by Pioneer Corporation.

All rights reserved.

Publication de Pioneer Corporation.

Copyright © 2004 Pioneer Corporation.

Tous droits de reproduction et de traduction réservés.

Before you Start

This device complies with Part 15 of the FCC Rules.

Operation is subject to the following two conditions:

(1) This device may not cause harmful interference, and (2) this device must accept any interference received, including interference that may cause undesired operation.

Information to User

Alteration or modification carried out without appropriate authorization may invalidate the user's right to operate the equipment.

WARNING:

Handling the cord on this product or cords associated with accessories sold with the product will expose you to lead, a chemical known to the State of California and other governmental entities to cause cancer and birth defects or other reproductive harm. ***Wash hands after handling.***

Precautions

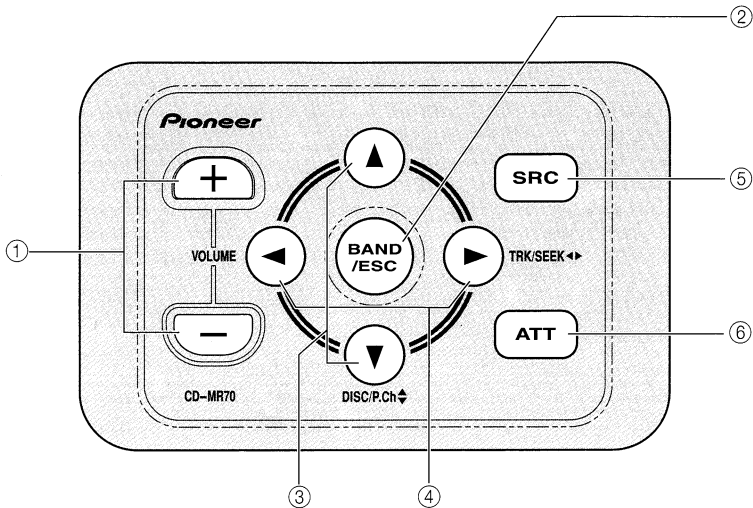
- The remote control is compatible with Pioneer Head Units with a wired remote input only.
- The remote control is for boat with a 12 V (+) DC negative ground.
- Make sure the remote control is installed in a location, which does not hinder or interfere with operation of the boat.
- When cutting hole for remote control, check for access and clearance to the rear of remote control. Avoid cutting electrical wiring and operating cables.
- Access to rear of remote control is needed to install and secure mounting bracket. Be sure to use only the specified parts to mount remote securely.
- Clearance of 2 1/2" is needed to allow for depth of remote control without binding or putting strain on remote.
- A flat surface is needed to ensure a watertight seal between the remote control and mounting surface.
- Check the routing of the cables to predict hazards or obstacles when connecting the remote to the Pioneer Head Unit. Do not allow cables to become entangled in surrounding objects.
- Do not splice into electrical cables. Doing so may exceed the current carrying capacity of the wire and result in fire or electric shock.
- After the remote control is installed check all operations.

Accessories

- Remote control unit × 1
- Power extension cable × 1
- Pin plug extension cable × 1
- Tape × 1
- 7 mm nut × 4
- Mounting Bracket × 1

Names of Buttons

Buttons on the Pioneer Head Unit and remote control unit with the same name have the same function.

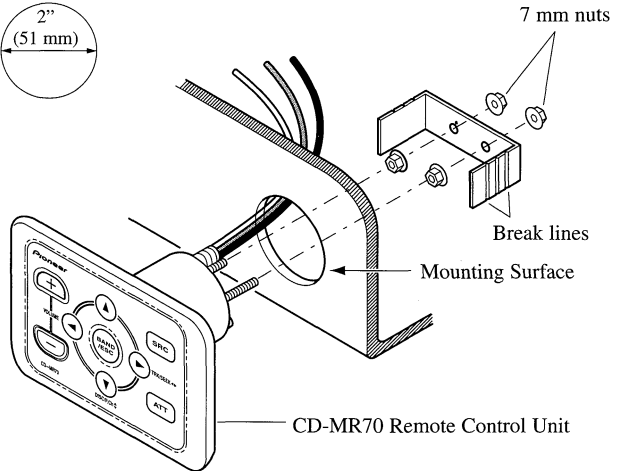
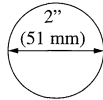


- ① **VOLUME** buttons
- ② **BAND/ESC** button
- ③ **▲▼ (DISC/P.Ch)** buttons
- ④ **◀▶ (TRK/SEEK)** buttons
- ⑤ **SRC (source)** button
- ⑥ **ATT** button

Volume is decreased about one-tenth the set volume (Attenuator).

Begin your Installation

Mounting Hole Cut Dimensions

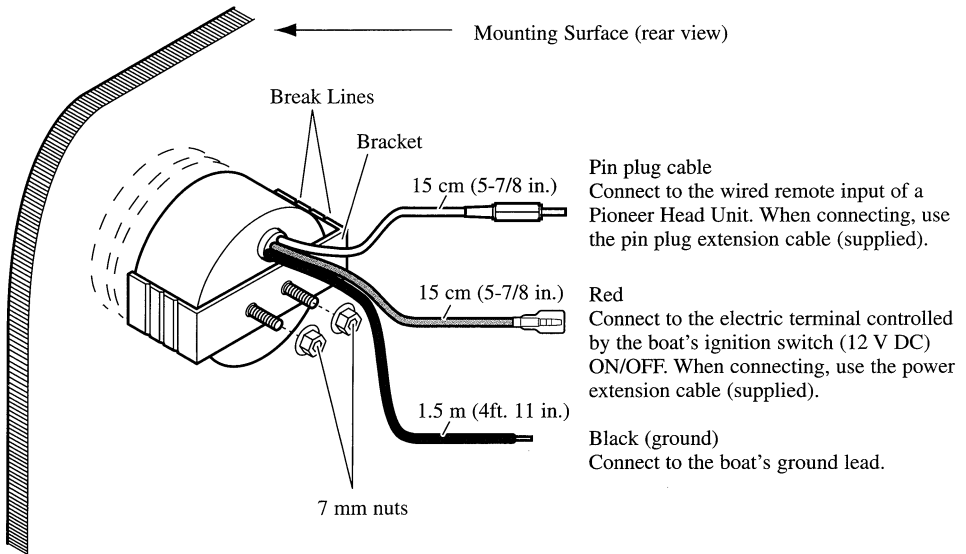


Bracket modification chart

Thickness	Break Lines
3/4"	0
1"	1
1'25"	2
1'5"	3
2"	Reverse bracket

- Check for uneven mounting surface. Make sure surface is flat and enables convenient access to remote control while underway.
- Check behind mounting surface to allow for proper depth, clearance and access to the rear of the remote control. Mounting bracket is secured from rear of the remote control. (Do not allow remote to interfere with wiring or moving objects.)
- Cut or drill a 2"(51 mm) diameter mounting hole.
- Insert the remote control into the 2" mounting hole on the boat and secure it with the enclosed bracket and nuts from behind.
- Mounting bracket has (3) break lines to allow for thickness of the mounting surface. Remove the appropriate number of break lines for your application. (See chart to determine how many break lines to remove for your application.)
- Gasket should seat properly and provide a tight seal between the mounting surface and the remote control.

Connecting the Remote Control Unit

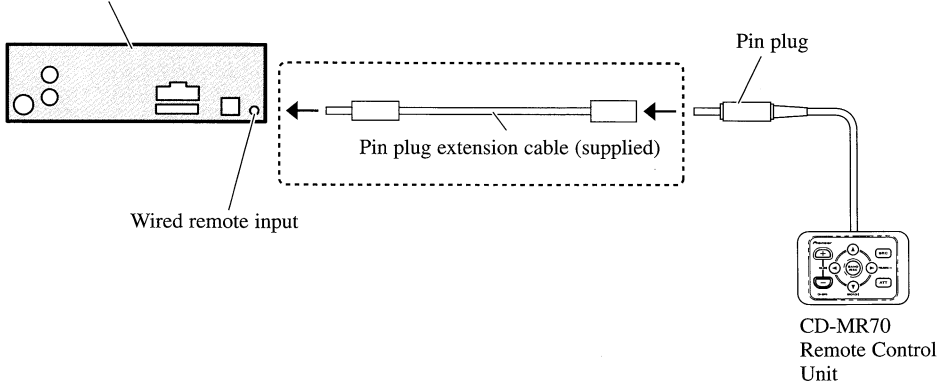


- Connect the remote control to the back of the Head Unit. Route the cable being careful not to allow the cables to become entangled in surrounding objects.
- After connections are finished, check all operations of the remote control.
- Connect cables securely.

System Connections

Connect the wired remote input of a Pioneer Head Unit and the remote control pin plug.

A Pioneer Head Unit with a
wired remote input
(e.g. DEH-P2600)



- When connecting to the remote control pin plug's wired remote input, use the pin plug extension cable (supplied).
- When connecting the pin plug extension cable (supplied) and the remote control pin plug, wrap with tape (supplied) to assure secure connection.

Specifications

Power source	14.4 V DC (10.8 — 15.1 V allowable)
Grounding system	Negative type
Max. current consumption	200 mA
Dimensions	102 (W) × 67 (H) × 46 (D)
Weight	0.12 Kg

Note:

- Specifications and the design are subject to possible modification without notice due to improvements.