

DVD±R/RW Slim Writer 12.7mm Height Slim

DVR-K15

Drawer Loading Type



DVR-K05

Slot Loading Type



■ 8X8 Writing Speed DVD±R

8X DVD±R, 6X DVD-RW, 8X DVD+RW, 24X CD-R, 24X CD-RW

■ Low Power Consumption

: 4.8W at DVD-R 8X Writing (Industry leading low power consumption)

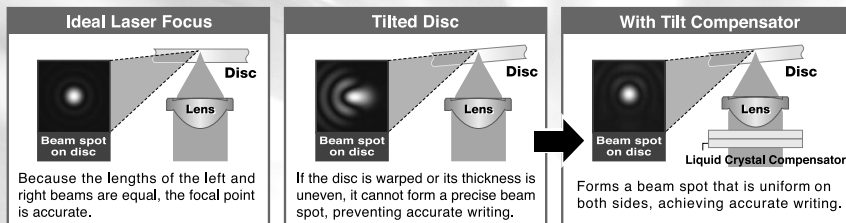
■ 4X DVD Dual/Double Layer Support

4X DVD±R DL, Maximum 8.5Gbyte Recording

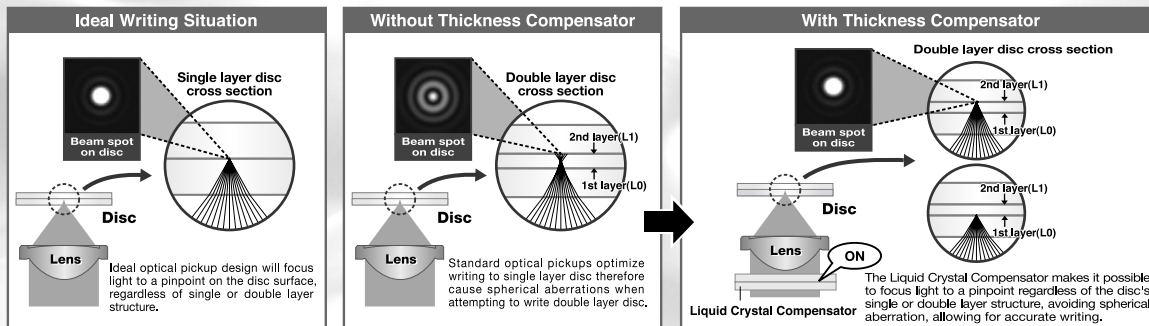
The world leader
in speed & performance

■ Multi Effect Liquid Crystal Compensator

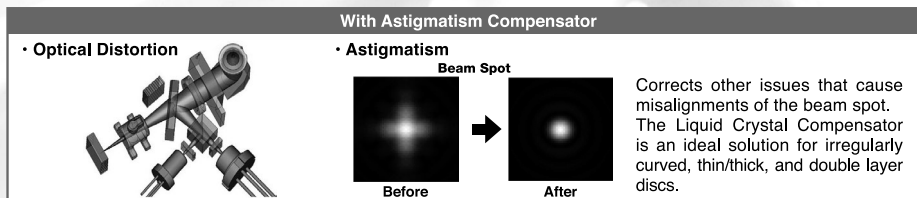
— Tilt Compensator



— Thickness Compensator



— Astigmatism Compensator



■ Pioneer's Superior Mechanism

— Twin Printed Coil Actuator on Pick-Up

Industry leading 0.1g design allows for lightweight optical pickup, which in turn allows for high maneuverability and low power consumption.

— OPU Cooling Function

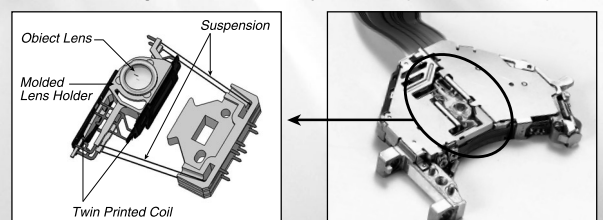
Built in temperature sensor monitors the cooling requirements of the pickup laser. When temperatures rise, the drive automatically stops writing operation for cooling, and restarts writing operation to maintain high media write quality and drive reliability.

— Stepping Motor

The use of a stepping motor allows for highly accurate and reliable sled drive operation, along with quiet seek operation.

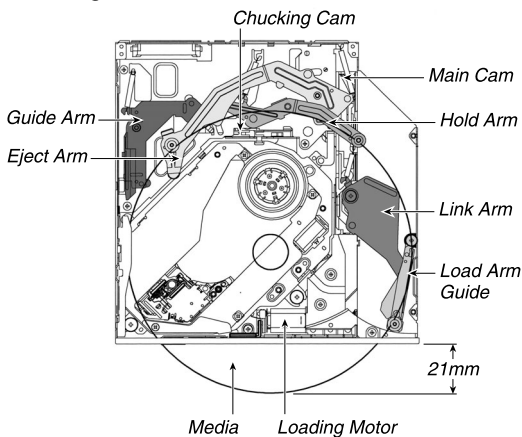
■ Performance Adjusting Firmware

Automatically adjusts between Performance mode and Quiet mode. Achieves an ideal solution by lowering disc rotation for quieter drive performance during DVD Video and Audio CD playback, while speeding up for high performance when required. *Patent pending

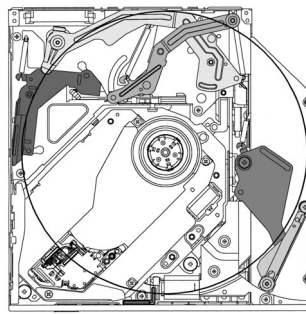


DVR-K05 Loading Image Diagrams

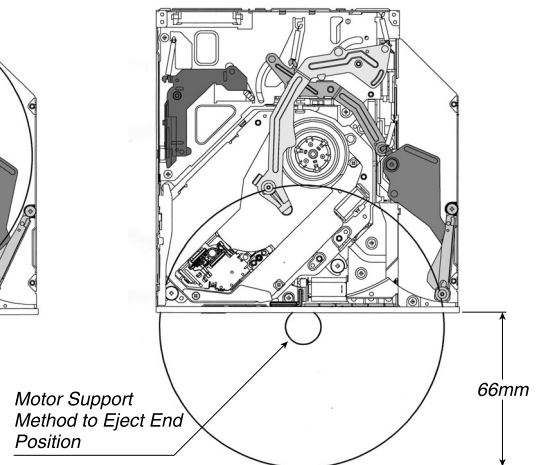
Loading Start Position



Loading End Position



Eject End Position



Specifications

Items	Specifications
Support Media (Read)	DVD-ROM(Single Layer and Dual Layer), DVD-R, DVD-RW, DVD+R, DVD+RW, DVD-R DL, DVD+R DL, DVD-RAM, (DVD-Video), CD-ROM(Mode 1, Mode 2), CD-R, CD-RW, Photo CD, CD Extra, CD TEXT
Support Media (Write)	DVD-R (Ver. 2.0 for General), 4X-Speed DVD-R, 8X-Speed DVD-R, DVD-RW (Ver. 1.0, Ver. 1.1 & Ver. 1.2), 2X-Speed DVD-RW, 4X-Speed DVD-RW, 6X-Speed DVD-RW DVD+R, 4X-Speed DVD+R, 8X-Speed DVD+R, DVD+RW, 4X-Speed DVD+RW, 8X-Speed DVD+RW, DVD-R DL, DVD+R DL, CD-R, Ultra Speed + CD-RW, Multi-Speed CD-RW, High-Speed CD-RW, Ultra-Speed CD-RW <i>*DVD-RAM is not supported.</i>
Interface	ATAPI, ATA-5 (PIO Mode4, Multi-Word DMA Mode2, Ultra-DMA Mode2)
Write Speed	DVD-R 8X Zone-CLV, DVD-RW 6X Zone-CLV, DVD+R 8X Zone-CLV, DVD+RW 8X Zone-CLV, DVD-R DL 4X Zone-CLV, DVD+R DL 4X Zone-CLV, CD-R 24X Zone-CLV, CD-RW 24X CLV (Ultra Speed CD-RW)
Read Speed	DVD-ROM 8X, DVD-R/RW/+R/+RW 8X, DVD-R DL/+R DL 6X, CD-ROM/R/RW 24X
Data Transfer Rate	10,800 KB/sec (DVD-ROM Single Layer 8X CAV Read) 3,600 KB/sec (CD-ROM 24X CAV Read) 10,800 KB/sec (DVD-R, DVD+R/+RW 8X Z-CLV Write) 8,100 KB/sec (DVD-RW 6X Z-CLV Write) 5,400 KB/sec (DVD-R/RW, DVD+R/+RW, DVD-R DL, DVD+R DL 4X Z-CLV Write) 2,700 KB/sec (DVD-R/RW, DVD-R DL 2X CLV Write) 3,240 KB/sec (DVD+R/+RW 2.4X CLV Write) 3,240 KB/sec (DVD+R DL 2.4X CLV Write) 3,600 KB/sec (CD-R 24X Write), 3,600 KB/sec (USCD-RW 24X Write)
Random Access Time	DVD: 150msec. typ. CD: 130msec. typ.
Data Buffer	2MB
Mounting Orientation	Horizontal & Vertical
Dimension	128W x 12.7H x 127D (DVR-K15), 128W x 12.7H x 129D (DVR-K05)
Weight	190g (DVR-K15), 180g (DVR-K05)

The specifications and appearance are as of Mar 2005.

The specifications and appearance are subject to change without notice.

PIONEER CORPORATION 4-1, Meguro 1-chome, Meguro-ku, Tokyo 153-8654, Japan

PIONEER ELECTRONICS(USA)INC.INDUSTRIAL SOLUTIONS BUSINESS GROUP 2265 East 220th Street, Long Beach, CA 90810, USA

PIONEER EUROPE N.V., MULTIMEDIA DIVISION Pioneer House, Hollybush Hill, Stoke Poges, Slough SL2 4QP, UK

PIONEER ELECTRONICS ASIACENTRE PTE.LTD 253 Alexandra Road, #04-01 Singapore 159936

PIONEER (HK) LTD Suites 901-6, 9/F, World Commerce Centre, Harbour City, 11 Canton Road, Tsim Sha Tsui, Kowloon, Hong Kong

PIONEER CHINA HOLDING CO., LTD 18/F, New Hua Lian Mansion (West), 775 Huai Hai Zhong Rd., Shanghai 200020, P.R. China

PIONEER ELECTRONICS AUSTRALIA PTY. LTD. 178-184 Boundary Road, Braeside, Victoria 3195, Australia

PIONEER HIGH FIDELITY TAIWAN CO., LTD 13FL, No.44, Chung Shan North Road, Sec.2, Taipei, R.O.C.

TEL: +81-3-3495-9924

TEL: +1-800-444-6784

TEL: +44-1753-789-789

TEL: +65-6472-1111

TEL: +852-2848-6488

TEL: +8621-6431-4466

TEL: 1 300 666 383

TEL: +886-2-2521-3588

FAX: +81-3-3495-9973

FAX: +1-310-952-2990

FAX: +44-1753-789-880

FAX: +65-6472-1611

FAX: +852-2530-4896

FAX: +8621-4525-4526

FAX: (03) 9580 9698

FAX: +886-2-2511-488