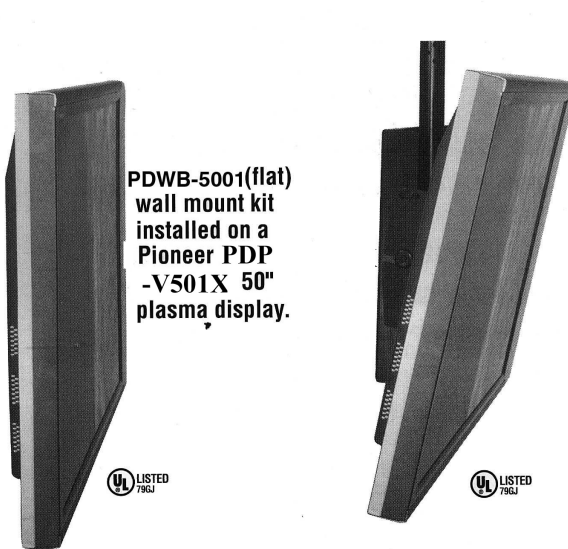


# PDP-V501X

## 50" PLASMA DISPLAY

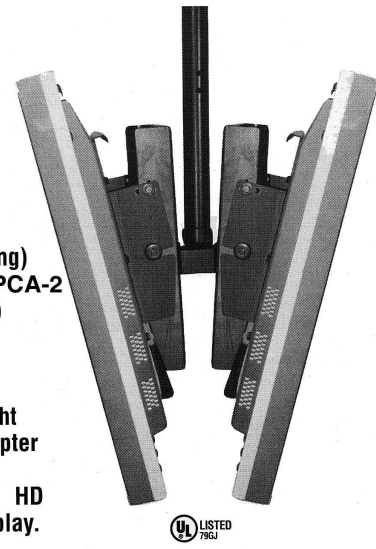
### WALL & CEILING MOUNTING SYSTEMS

The Pioneer **PDP-V501X** 50" plasma display can be wall mounted in a horizontal mode with the full tilt featured **PWM-502** (tilting) or ultra slim **PDWB-5001** (flat) wall mount. In the horizontal mode the **PWM-502** (tilting) mount features a tilt adjustment of 0°-5°-10°-15° with positive locking of the set angle. Both mounts attach to the wall on 16" stud center holes configured in the mount. Dual electrical handy box type "knock outs" are available in the base of the mount to facilitate power and signal cables outlets within the mount to minimize visible cables. Once mated with the **PWM-502** (tilting) or **PDWB-5001** (flat) the **PCA-1** (single) or **PCA-2** (dual) adapters provide a (single) 1 1/2" or (dual) 2" NTP (National Tapered Pipe) coupling with thread lock ceiling mounting points. The (optional) **PSA-1** or **PSA-2** adjustable height suspension adapter for drop or high ceiling type installation can also mate directly with the **PCA-1** or **PCA-2** ceiling mount adapter. The **PSA-1** (1 1/2") and **PSA-2** (2") feature a height adjustment range of 24"-46" (12"-24" with cut) in 1 1/4" increments. For installation in excess of 46" standard 1 1/2" or 2" NTP (National Tapered Pipe) and a threaded coupling may be added to the **PSA-1** or **PSA-2**



**PDWB-5001**(flat) wall mount kit installed on a Pioneer PDP-V501X 50" plasma display.

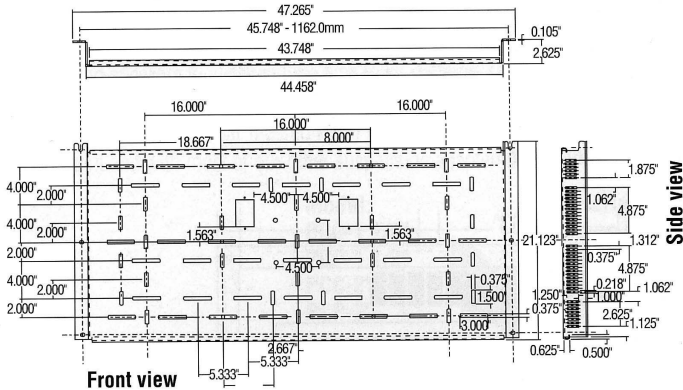
**PWM-502** (tilting) with (optional) **PCA-1** (single display) ceiling mount adapter and **PSA-1** 1 1/2" NTP adjustable height suspension adapter installed on a Pioneer PDP-V501X 50" plasma display.



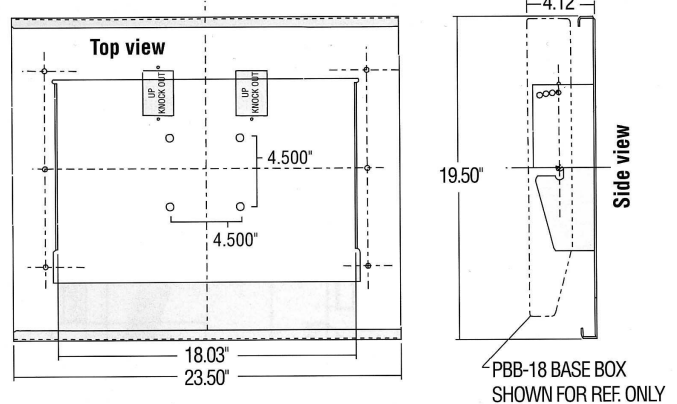
**PWM-502** (tilting) with (optional) **PCA-2** (dual display) ceiling mount adapter and **PSA-2** 2" NTP adjustable height suspension adapter installed on a PDP-V501X HD 50" plasma display.

**PDWB-5001** (flat) bracket

Top view



**PWM-502** (tilting) base box and bracket



**MOUNTS:**  
**PDM-501F** (flat)  
 Weight: 26 lb. (approx.)  
 Color: Black  
 Ships: UPS

**PDM-501T** (tilting)  
 Weight: 37 lb. (approx.)  
 Color: Black  
 Ships: UPS

**(Optional) PSA-1** adjustable height suspension adapter  
 Weight: 13 lb. (approx.)  
 Color: Black  
 Ships: UPS

**ACCESSORIES:**  
**(Optional) PSA-2** adjustable height suspension adapter  
 Weight: 20 lb. (approx.)  
 Color: Black  
 Ships: UPS

**ACCESSORIES:**  
**(Optional) PCA-1** 1/2" NTP (single) ceiling adapter  
 Weight: 5 lb. (approx.)  
 Color: Black  
 Ships: UPS

**(Optional) PCA-2** 2" NTP (dual) ceiling adapter  
 Weight: 8 lb. approx.  
 Color: Black  
 Ships: UPS