

PREMIER

DEH-P520

This product conforms to CEMA cord colors.
Le code de couleur des câbles utilisé pour ce produit est conforme à CEMA.

Pioneer

Connecting the Units 2

DFS Alarm Installation 7

Description 7

Door Switches 7

DOOR SWITCH (White/yellow) 8

- Grounding Type Switch:
- Positive (Non-grounding) Type Switch:
- Installing New Pin Switches

ALARM OUTPUT (Brown) 10

- Recommended Wiring:

ALARM SENSOR (White/red) 11

DOOR LOCK (White/orange) 12

STARTER CUT-OFF (Blue/brown) 13

- Recommended Wiring:

Avoiding Trouble 14

Installation 15

DIN Front/Rear-mount 15

DIN Front-mount 15

- Installation with the rubber bush
- Removing the Unit

DIN Rear-mount 17

- Installation using the screw holes on the side of the unit

Connecting the Units

Note:

- This unit is for vehicles with a 12-volt battery and negative grounding. Before installing it in a recreational vehicle, truck, or bus, check the battery voltage.
- To avoid shorts in the electrical system, be sure to disconnect the ⊖ battery cable before beginning installation.
- Refer to the owner's manual for details on connecting the power amp and other units, then make connections correctly.
- Secure the wiring with cable clamps or adhesive tape. To protect the wiring, wrap adhesive tape around them where they lie against metal parts.
- Route and secure all wiring so it cannot touch any moving parts, such as the gear shift, handbrake and seat rails. Do not route wiring in places that get hot, such as near the heater outlet. If the insulation of the wiring melts or gets torn, there is a danger of the wiring short-circuiting to the vehicle body.
- Don't pass the yellow lead through a hole into the engine compartment to connect to the battery. This will damage the lead insulation and cause a very dangerous short.
- Do not shorten any leads. If you do, the protection circuit may fail to work when it should.
- Never feed power to other equipment by cutting the insulation of the power supply lead of the unit and tapping into the lead. The current capacity of the lead will be exceeded, causing overheating.
- When replacing fuse, be sure to use only fuse of the rating prescribed on the fuse holder.
- Since a unique BPTL circuit is employed, never wire so the speaker leads are directly grounded or the left and right ⊖ speaker leads are common.
- Speakers connected to this unit must be high-power types with minimum rating of 45 W and impedance of 4 to 8 ohms. Connecting speakers with output and/or impedance values other than those noted here may result in the speakers catching fire, emitting smoke or becoming damaged.
- If the RCA pin jack on the unit will not be used, do not remove the caps attached to the end of the connector.

- When this product's source is switched ON, a control signal is output through the blue/white lead. Connect to an external power amp's system remote control or the car's Auto-antenna relay control terminal (max. 300 mA 12 V DC). If the car features a glass antenna, connect to the antenna booster power supply terminal.
- When an external power amp is being used with this system, be sure not to connect the blue/white lead to the amp's power terminal. Likewise, do not connect the blue/white lead to the power terminal of the auto-antenna. Such connection could cause excessive current drain and malfunction.
- To avoid short-circuiting, cover the disconnected lead with insulating tape. Especially, insulate the unused speaker leads without fail. There is a possibility of short-circuiting if the leads are not insulated.
- To prevent incorrect connection, the input side of the IP-BUS connector is blue, and the output side is black. Connect the connectors of the same colors correctly.
- If this unit is installed in a vehicle that does not have an ACC (accessory) position on the ignition switch, the red lead of the unit should be connected to a terminal coupled with ignition switch ON/OFF operations. If this is not done, the vehicle battery may be drained when you are away from the vehicle for several hours. (Fig.1)

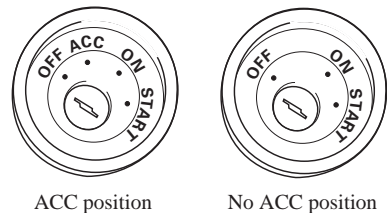


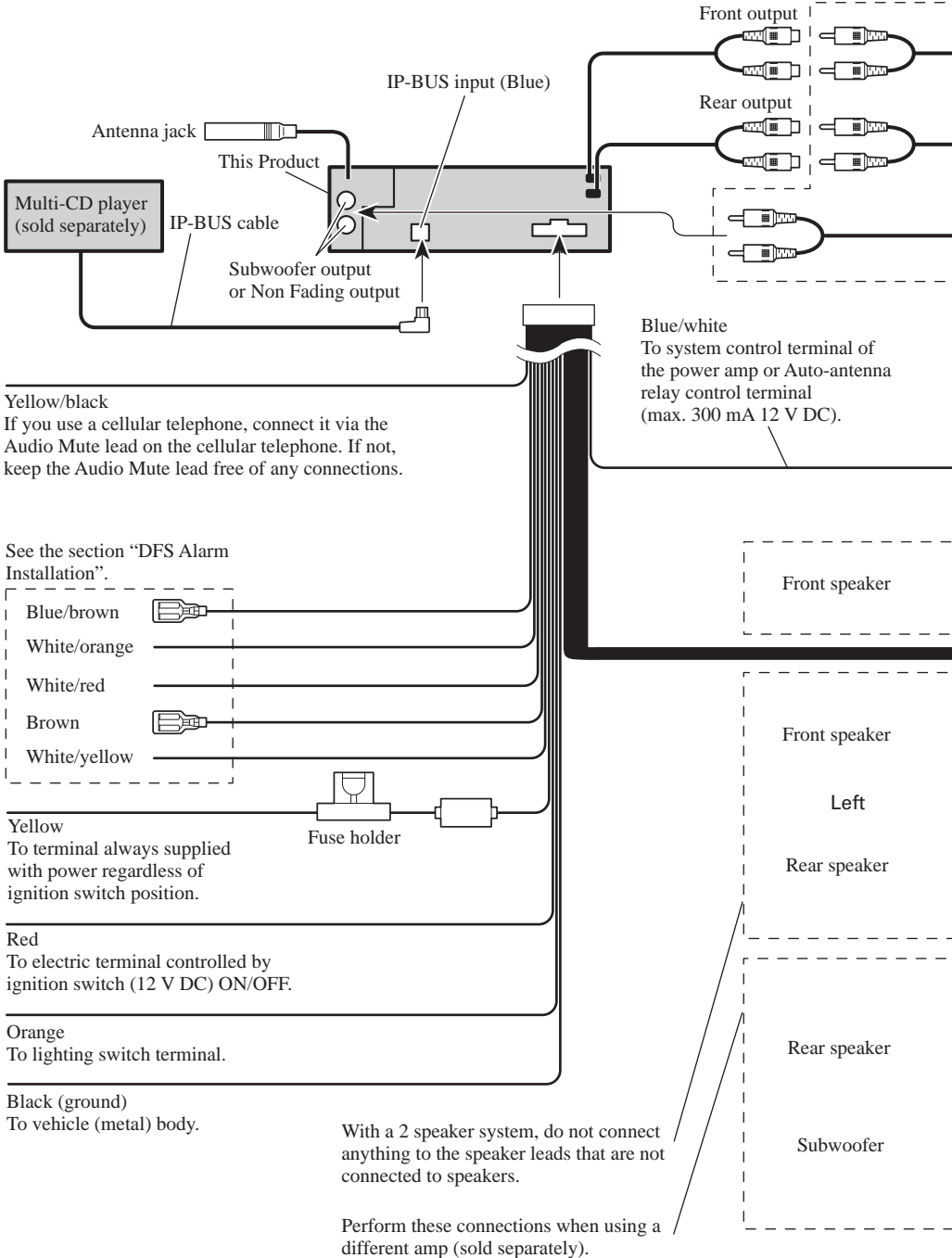
Fig. 1

- The black lead is ground. Please ground this lead separately from the ground of high-current products such as power amps. If you ground the products together and the ground becomes detached, there is a risk of damage to the products or fire.

- Cords for this product and those for other products may be different colors even if they have the same function. When connecting this product to another product, refer to the supplied Installation manuals of both products and connect cords that have the same function.

Connecting the Units

■ When not connecting a rear speaker lead to a Subwoofer



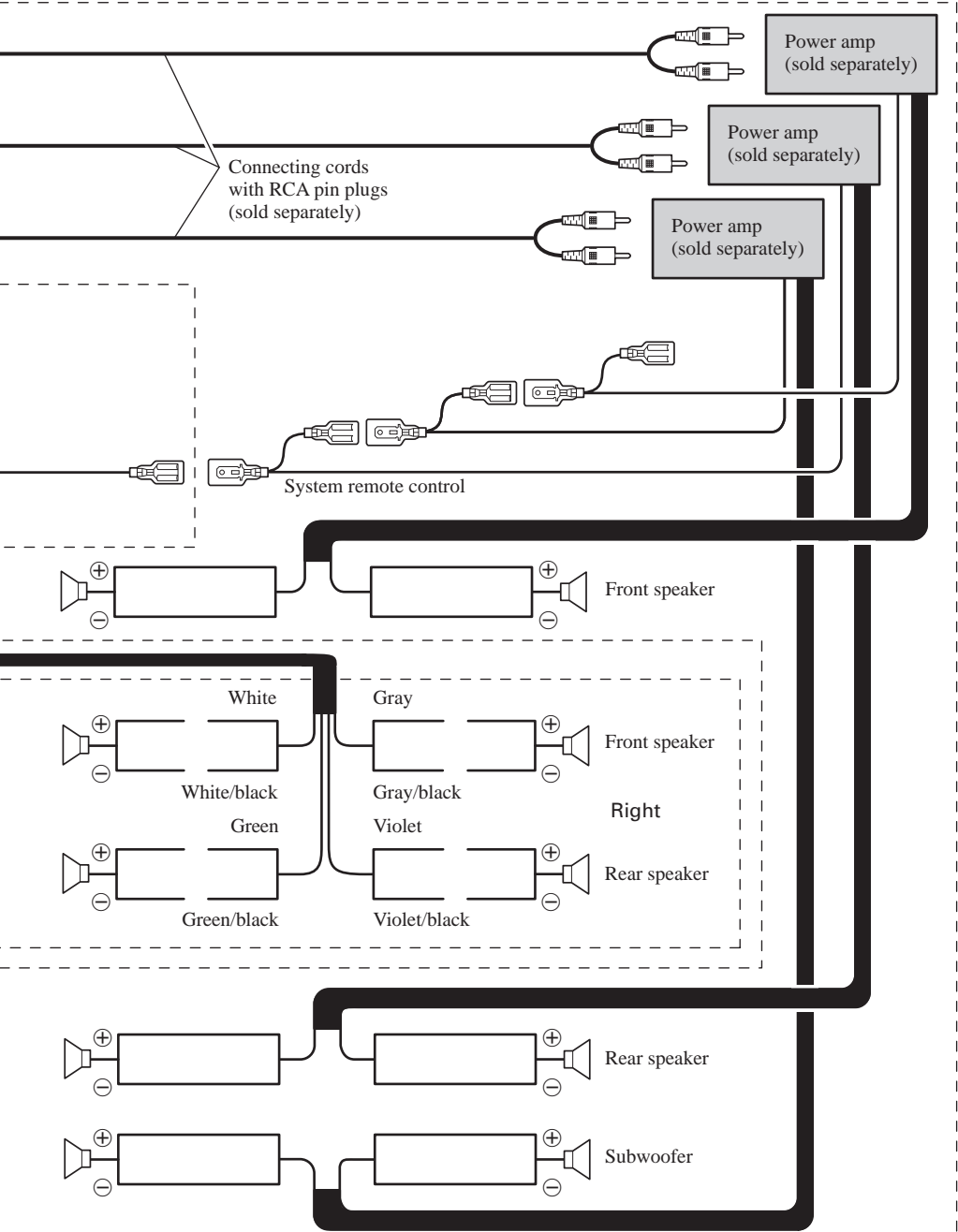
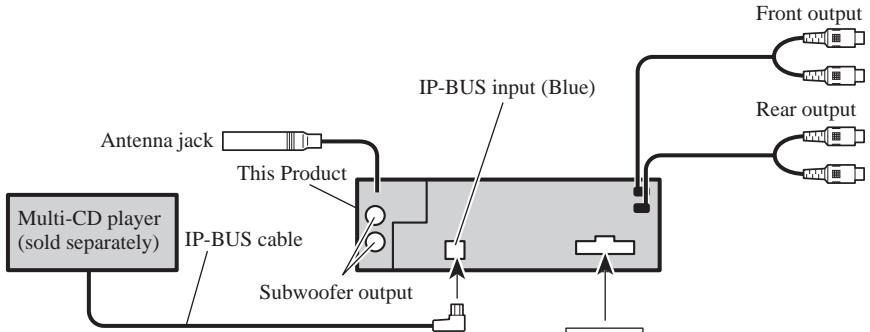


Fig. 2

Connecting the Units

■ When using a Subwoofer without using a different amp (sold separately)



Yellow/black

If you use a cellular telephone, connect it via the Audio Mute lead on the cellular telephone. If not, keep the Audio Mute lead free of any connections.

See the section "DFS Alarm Installation".

Blue/brown

White/orange

White/red

Brown

White/yellow

Yellow

To terminal always supplied with power regardless of ignition switch position.

Fuse holder

Red

To electric terminal controlled by ignition switch (12 V DC) ON/OFF.

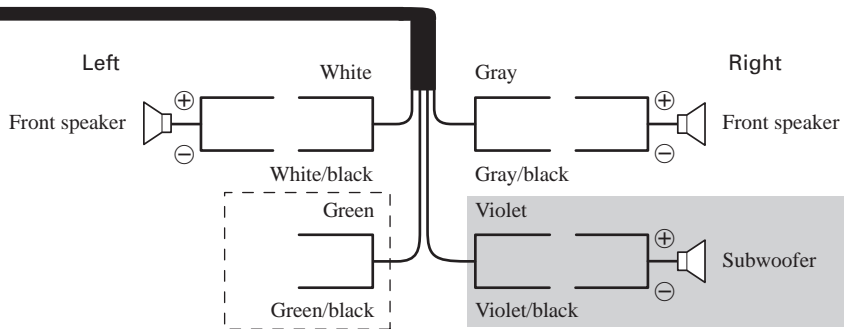
Orange

To lighting switch terminal.

Black (ground)

To vehicle (metal) body.

Blue/white
To Auto-antenna relay control terminal
(max. 300 mA 12 V DC).



Do not connect anything to these speaker leads.

Note:

Change the Initial Setting of this product.
(Refer to the Operation Manual.)

CAUTION

- Because of the complexity of today's technically advanced vehicle wiring systems, we recommend that your DFS Alarm be installed ONLY by a professional Pioneer installer.
- Install the unit so that it can be quickly disconnected in case the engine doesn't start even if the unit operates correctly. (Refer "STARTER CUT-OFF", "Avoiding Trouble" section.)

Affix the included deterrent stickers to the inside of the front door windows.

Description

- **White/yellow (DOOR SWITCH)** (Fig. 4 & 5)
This lead is used to trigger DFS Alarm when any door is opened and may be connected to either positive or negative (+/-) type door pin switches.
- **Brown (ALARM OUTPUT)** (Fig. 6)
This lead is a selectable constant or pulsed positive (+) output capable of driving up to 2 relays (500 mA) max. Use this lead to trigger relays for siren, horn, honk or flashing lights.
- **White/red (ALARM SENSOR)** (Fig. 7)
This lead is a negative (-) input and is provided for hookup of negative triggering sensors such as shock, or glass sensors (sold separately).
- **White/orange (DOOR LOCK)** (Fig. 8)
This lead is used to disarm DFS Alarm from power door lock systems or alarm systems with remote unlock. This lead may be connected to door lock systems with either positive or negative (+/-) unlock triggers.
- **Blue/brown (STARTER CUT-OFF)** (Fig. 9)
This lead provides a positive (+) constant output when DFS Alarm is triggered and remains constant for 30 minutes or until DFS Alarm is disarmed. This output should be used with an optional relay to disable starter.

Door Switches

The DFS Alarm's door trigger input is designed to work with either positive or negative door pin switches. After hookup, simply set door system type from DFS Alarm Setting Menu.

Domelight Delay-DFS Alarm will wait for last door to close and courtesy light to turn off before Exit Delay Timer Starts.

DOOR SWITCH (White/yellow)

Grounding Type Switch:

GM, Chrysler, Japanese, and most European vehicles.

Note:

- Set DFS Alarm to recognize ground trigger from DFS Alarm Setting Menu. Set Door System to "DOOR-L :CLS".

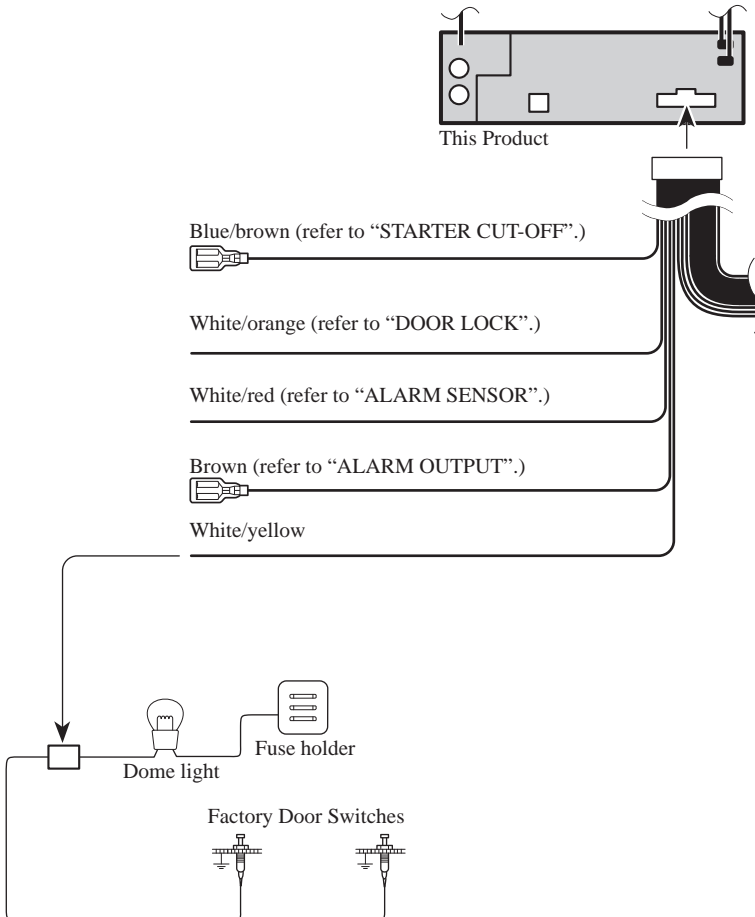


Fig. 4

Positive (Non-grounding) Type Switch:

Ford, Jaguar, Mercedes

Note:

- Set DFS Alarm to recognize positive trigger from DFS Alarm Setting Menu. Set Door System to "DOOR-H :CLS".

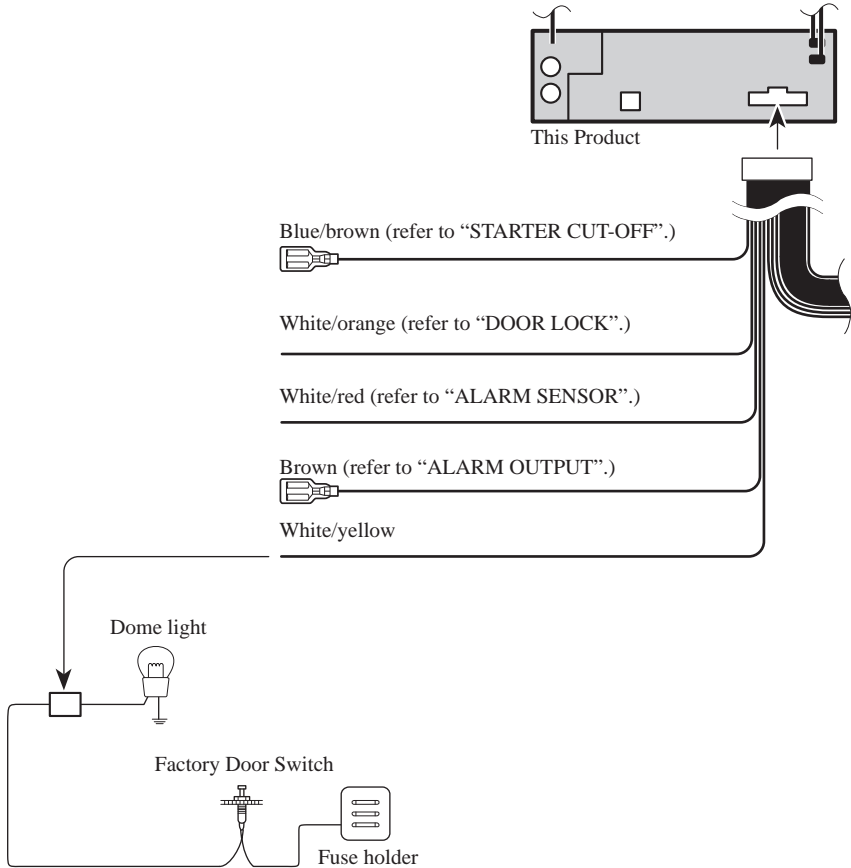


Fig. 5

Installing New Pin Switches

Separately sold pin switches are available that can be used to protect your vehicle's trunk, hood, etc. When you purchase these, make sure that you first confirm that they can be used with your vehicle's door system type.

Follow the makers instructions as to installation and wiring.

ALARM OUTPUT (Brown)

The brown lead provides a +12 V constant or pulsed output while alarm is sounding. This lead has a maximum current capability of 500 mA and can be used to trigger a relay to sound a siren, horn or flash lights.

Recommended Wiring:

30 amp relay (sold separately) required to operate siren, horn or lights.

- Connect Brown wire to one side of relay coil.
- Connect ground to other side of coil.

For sirens, horns or lights requiring +12 V trigger

- Connect normally open pin to fused, constant +12 V source.

For horns or lights requiring ground trigger

- Connect normally open pin to ground.

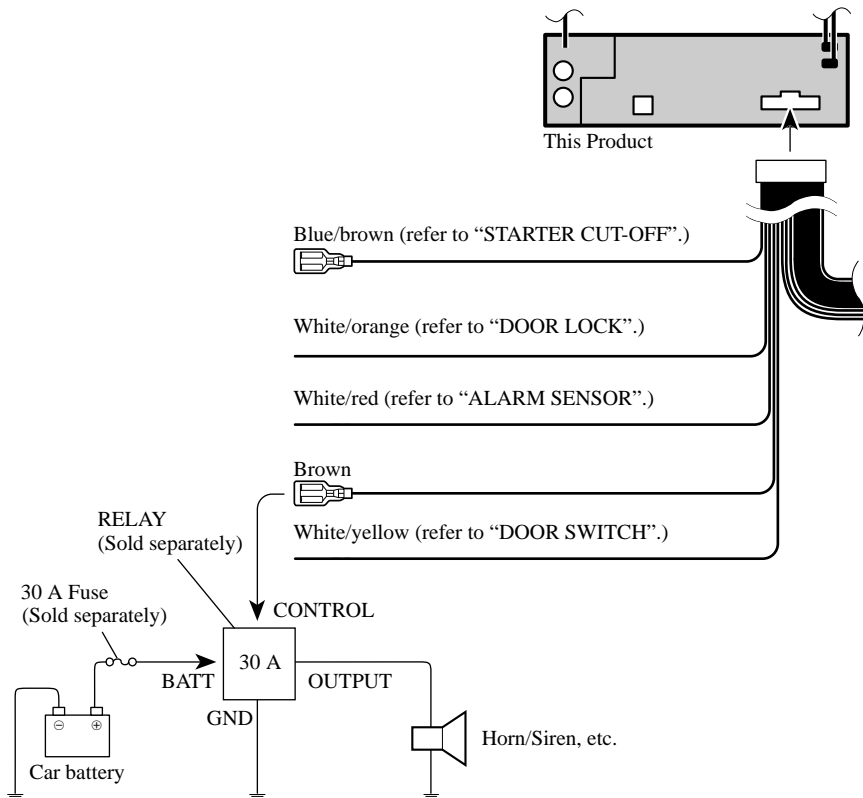


Fig. 6

ALARM SENSOR (White/red)

The white/red lead is a negative triggered (Grounding) input that can be connected to various separately sold shock or glass sensors. There is no limit as to how many sensors are connected, so you can ensure total protection of your vehicle. Follow the makers instructions as to installation and wiring.

Note:

- If the shock sensor detects vehicle vibrations, use the negative (-) output type. If you use the positive (+) output type, the alarm will sound continually, and the shock sensor will not operate correctly.

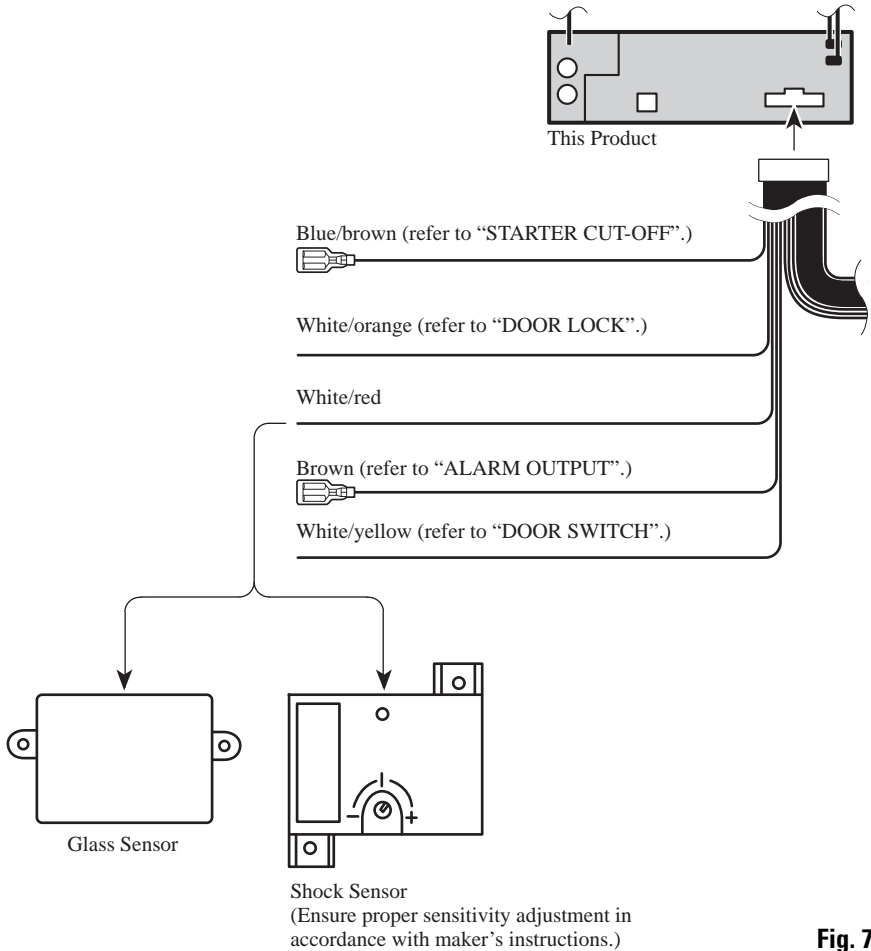


Fig. 7

- To ensure full proper operation of DFS Alarm, Pioneer suggests using only white/red wire, electronic sensors capable of providing a pulse width greater than 64 ms.

DOOR LOCK (White/orange)

The white/orange lead should be connected to the “unlock” lead for your vehicle’s door locking system, so that when you open the driver’s door by your vehicle’s remote control, your Pioneer DFS Alarm is deactivated.

First, locate the two wires from the lock/unlock switch that operate the factory door lock solenoids for the driver’s side. Using a meter, determine which lead is used to unlock the door; connect this to the white/orange lead of your Pioneer Car Stereo. In the DFS Alarm Setting Menu, select the door-lock system type according to your vehicle (grounding or non-grounding).

If you have difficulty wiring this connection, please consult your nearest Installation specialist.

Note:

- If your vehicle is equipped with a central door lock but the glass or shock sensor is not connected, if the window is broken and the central door lock is released, this unit’s DFS Alarm will not operate.
- Pioneer recommends that both a shock sensor and glass sensor be installed when you are using the “Remote Disarming” feature.

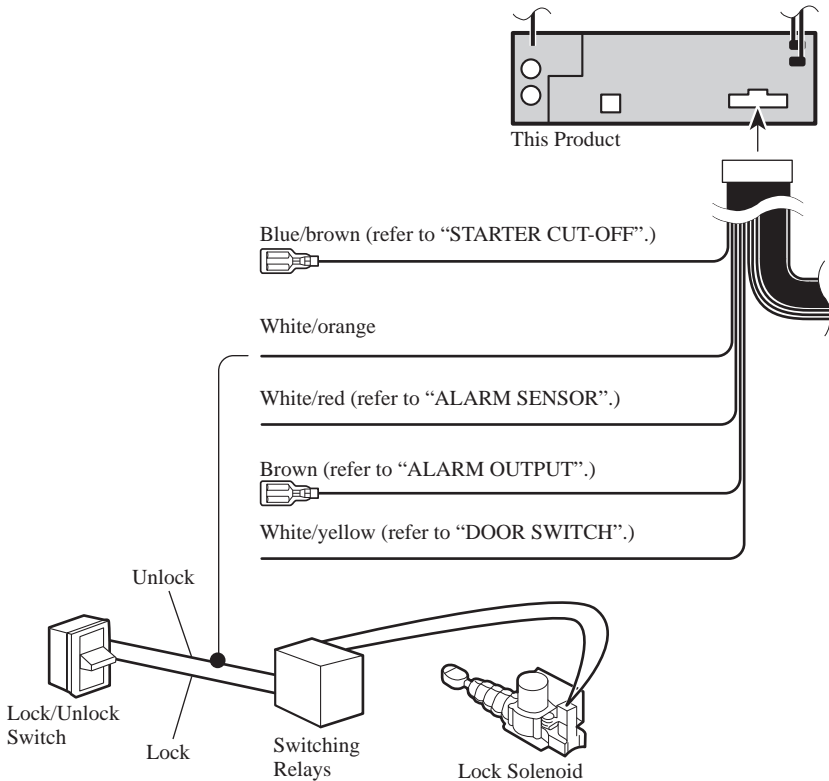


Fig. 8

STARTER CUT-OFF (Blue/brown)

The blue/brown lead will provide a continuous +12 V output while alarm is sounding and for 30 minutes after initial trigger, up to 5 consecutive triggers. This lead has a maximum current capability of 500 mA and can be used to trigger a relay to disable the starter.

Note:

- In order for the “DFS Alarm” to operate when a window is broken, connect this product’s white/red (ALARM SENSOR) lead to glass sensor securely.
- In order for the “DFS Alarm” to operate when a door is forced open, connect this product’s white/yellow (DOOR SWITCH) lead securely.

Recommended Wiring:

30 amp relay (sold separately) required to disable starter.

- Connect blue/brown lead to one side of relay coil.
- Connect other side of coil to ground.
- Locate starter wire under dash, near steering column.
- Cut starter wire and try to start vehicle to verify wire is correct.
- Connect key side of cut wire to normally closed pin.
- Connect starter side of cut wire to common pin.

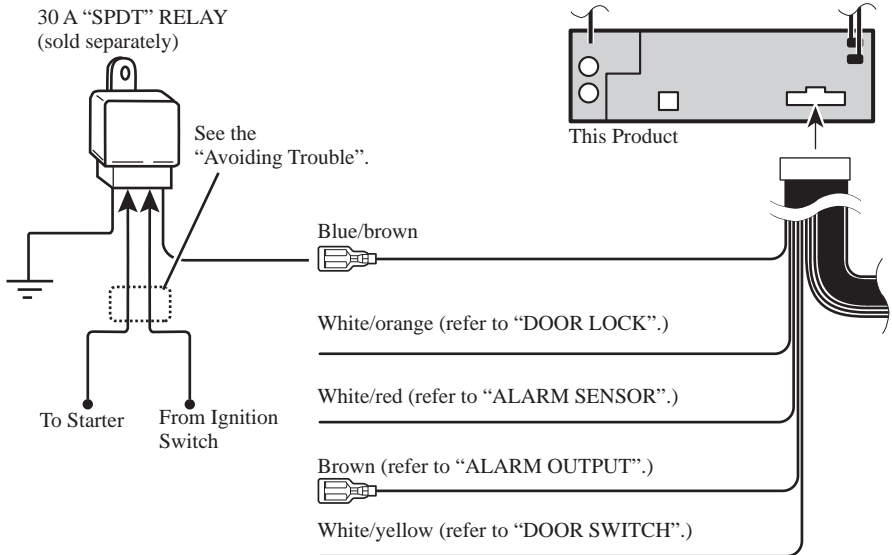


Fig. 9

Avoiding Trouble

You may not be able to start the engine even if you operate the unit correctly. Take the following measures to deal with this problem. When installing a switch to deal with such a problem, install it where it is least conspicuous.

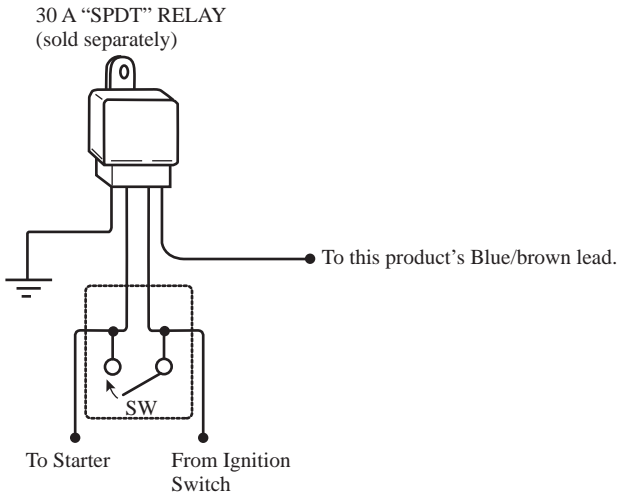


Fig. 10

Note:

- Use cords and switches having current handling (amperage) capacity greater than that of the relay to be attached.

Note:

- Before finally installing the unit, connect the wiring temporarily, making sure it is all connected up properly, and the unit and the system work properly.
- Use only the parts included with the unit to ensure proper installation. The use of unauthorized parts can cause malfunctions.
- Consult with your nearest dealer if installation requires the drilling of holes or other modifications of the vehicle.
- Install the unit where it does not get in the driver's way and cannot injure the passenger if there is a sudden stop, like an emergency stop.
- The semiconductor laser will be damaged if it overheats, so don't install the unit anywhere hot — for instance, near a heater outlet.

- If installation angle exceeds 60° from horizontal, the unit might not give its optimum performance. (Fig. 11)

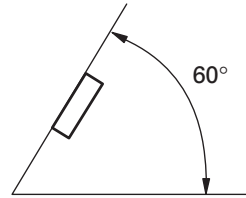


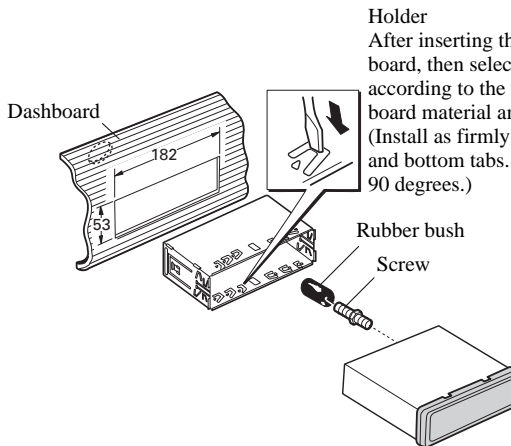
Fig. 11

DIN Front/Rear-mount

This unit can be properly installed either from “Front” (conventional DIN Front-mount) or “Rear” (DIN Rear-mount installation, utilizing threaded screw holes at the sides of unit chassis). For details, refer to the following illustrated installation methods.

DIN Front-mount

Installation with the rubber bush (Fig. 12)



Holder

After inserting the holder into the dashboard, then select the appropriate tabs according to the thickness of the dashboard material and bend them. (Install as firmly as possible using the top and bottom tabs. To secure, bend the tabs 90 degrees.)

Rubber bush

Screw

Fig. 12

Removing the Unit (Fig. 13) (Fig. 14)

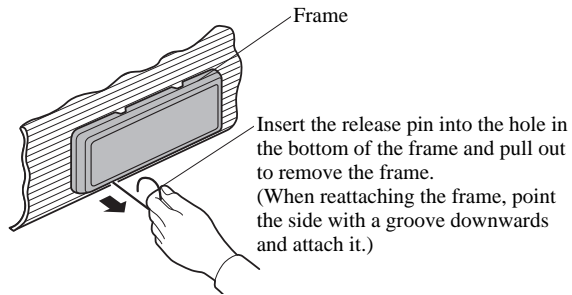


Fig. 13

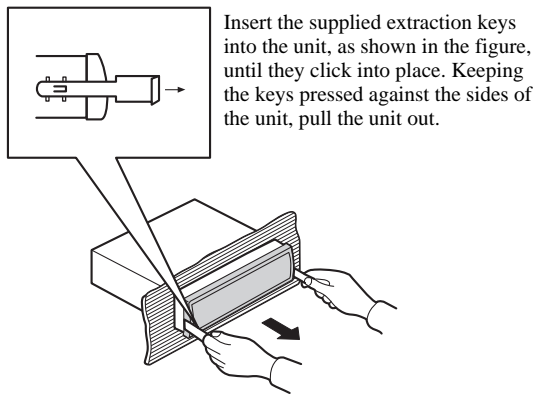


Fig. 14

DIN Rear-mount

Installation using the screw holes on the side of the unit

1. Remove the frame. (Fig. 15)

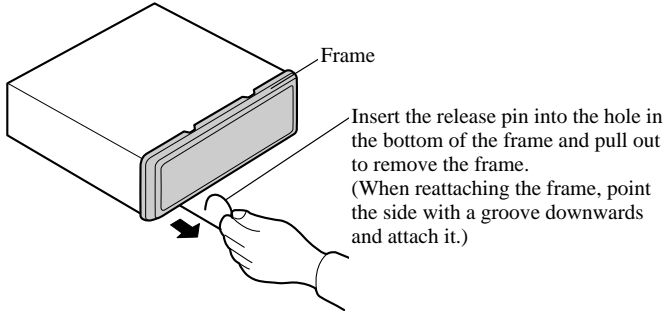


Fig. 15

2. Fastening the unit to the factory radio mounting bracket. (Fig. 16) (Fig. 17)

Select a position where the screw holes of the bracket and the screw holes of the head unit become aligned (are fitted), and tighten the screws at 2 places on each side. Use either truss screws (5×8 mm) or flush surface screws (5×9 mm), depending on the shape of the screw holes in the bracket.

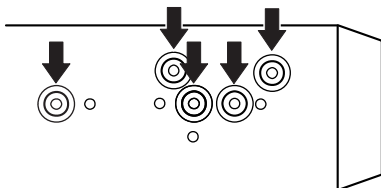


Fig. 16

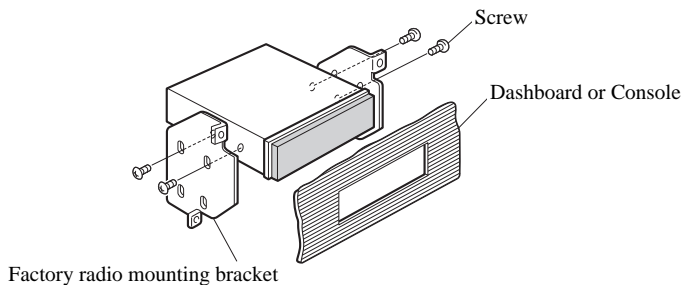


Fig. 17

Raccordements des appareils	2	Installation	15
Installation de l'alarme DFS	7	Montage DIN avant/arrière	15
Description	7	Montage DIN avant	15
Contacteurs de portières	7	● Installation avec une bague en caoutchouc	
Contacteur de portière (DOOR SWITCH)		● Dépose de l'unité	
(Blanc/jaune)	8	Montage DIN arrière	17
● Contacteur avec mise à la masse:		● Installation en utilisant les trous de vis	
● Contacteur sans mise à la masse		sur les côtés de l'appareil	
(type positif):			
● Pose de contacteurs neufs			
Sortie d'alarme (ALARM OUTPUT)			
(Brun)	10		
● Câblage conseillé:			
Détecteur d'alarme (ALARM SENSOR)			
(Blanc/rouge)	11		
Verrouillage des portières (DOOR LOCK)			
(Blanc/orange)	12		
Coupure de démarreur (STARTER CUT-OFF)			
(Bleu/brun)	13		
● Câblage conseillé:			
Pour éviter des ennuis	14		

Remarque:

- Cet appareil est destiné aux véhicules avec une batterie de 12 V, avec pôle négatif à la masse. Avant de l'installer dans un véhicule de loisir, un camion ou un car, vérifier la tension de la batterie.
- Afin d'éviter tout risque de court-circuit, débrancher le câble de la borne négative ⊖ de la batterie avant de commencer la pose.
- Pour le raccordement des câbles de l'amplificateur de puissance et des autres appareils, se reporter au manuel de l'utilisateur et procéder comme il est indiqué.
- Fixer les câbles au moyen de colliers ou de morceaux de ruban adhésif. Pour protéger le câblage, enrouler la bande adhésive autour des câbles à l'endroit où ceux-ci sont placés contre les parties métalliques.
- Acheminer et fixer tout le câblage de telle sorte qu'il ne touche pas les pièces mobiles, comme le levier de changement de vitesse, le frein à main et les rails des sièges. Ne pas acheminer les câbles dans des endroits qui peuvent devenir chauds, comme près de la sortie de radiateur. Si l'isolation des câbles fond ou est se déchire, il existe un danger de court-circuit des câbles avec la carrosserie du véhicule.
- Ne pas faire passer le conducteur jaune dans le compartiment moteur par un trou pour le connecter avec la batterie. Cela pourrait endommager sa gaine d'isolation et provoquer un grave court-circuit.
- Ne pas court-circuiter les conducteurs. Dans le cas contraire, le circuit de protection risque de ne pas fonctionner.
- Ne jamais alimenter un autre appareil par un branchement sur le câble d'alimentation de celui-ci. Le courant qui circulerait dans ce conducteur pourrait dépasser la capacité du conducteur et entraîner une élévation anormale de température.
- Lors du remplacement du fusible, n'utiliser qu'un fusible de même ampérage (il est indiqué sur le porte-fusible).
- Un circuit BPTL unique étant employé, n'effectuez jamais le câblage de sorte que les fils de haut-parleurs soient directement mis à la masse ou que les fils de haut-parleurs ⊖ gauche et droit soient communs.
- Les haut-parleurs connectés à cet appareil doivent être tels qu'ils puissent supporter une puissance de 45 W, et que leur impédance soit comprise entre 4 et 8 Ohms. L'utilisation de haut-parleurs dont la puissance admissible ou l'impédance seraient différentes des valeurs indiquées ici, pourrait provoquer leur inflammation, avec émission de fumée, ou à tout le moins leur endommagement.
- Si la prise RCA de l'appareil n'est pas utilisée, ne retirez pas les capuchons que porte le connecteur.

- Quand la source de ce produit est positionnée sur ON, un signal de commande est sorti par le fil bleu/blanc. Connectez-le à la télécommande d'ensemble de l'amplificateur de puissance extérieur ou à la borne de commande du relais d'antenne motorisée (max. 300 mA, 12 V CC). Si la voiture utilise une antenne de vitre, connectez-le à la prise d'alimentation de l'amplificateur d'antenne.
- Lorsqu'un amplificateur de puissance externe est utilisé avec ce système, veiller à ne pas connecter le fil bleu/blanc à la borne d'alimentation de l'amplificateur. De la même manière, ne pas connecter le fil bleu/blanc à la borne d'alimentation de l'antenne automatique. Un tel branchement pourrait causer une perte de courant excessive et un mauvais fonctionnement de l'appareil.
- Pour éviter les courts-circuits, recouvrez les fils déconnectés par du ruban isolant. En particulier, n'oubliez pas d'isoler les fils d'enceintes. Un court-circuit peut se produire si les fils ne sont pas isolés.
- Pour éviter une connexion incorrecte, le côté entrée du connecteur IP-BUS est bleu et le côté sortie, noir. Brancher les connecteurs de même couleur correctement.
- Si cette unité est installée dans un véhicule dont le contacteur d'allumage n'a pas de position ACC (accessoire), le fil rouge de l'unité doit être connecté à une borne couplée aux opérations de marche/arrêt du contacteur d'allumage. Sinon, la batterie du véhicule peut se décharger lorsque le véhicule n'est pas utilisé pendant plusieurs heures. (Fig.1)

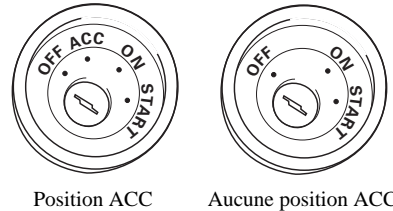


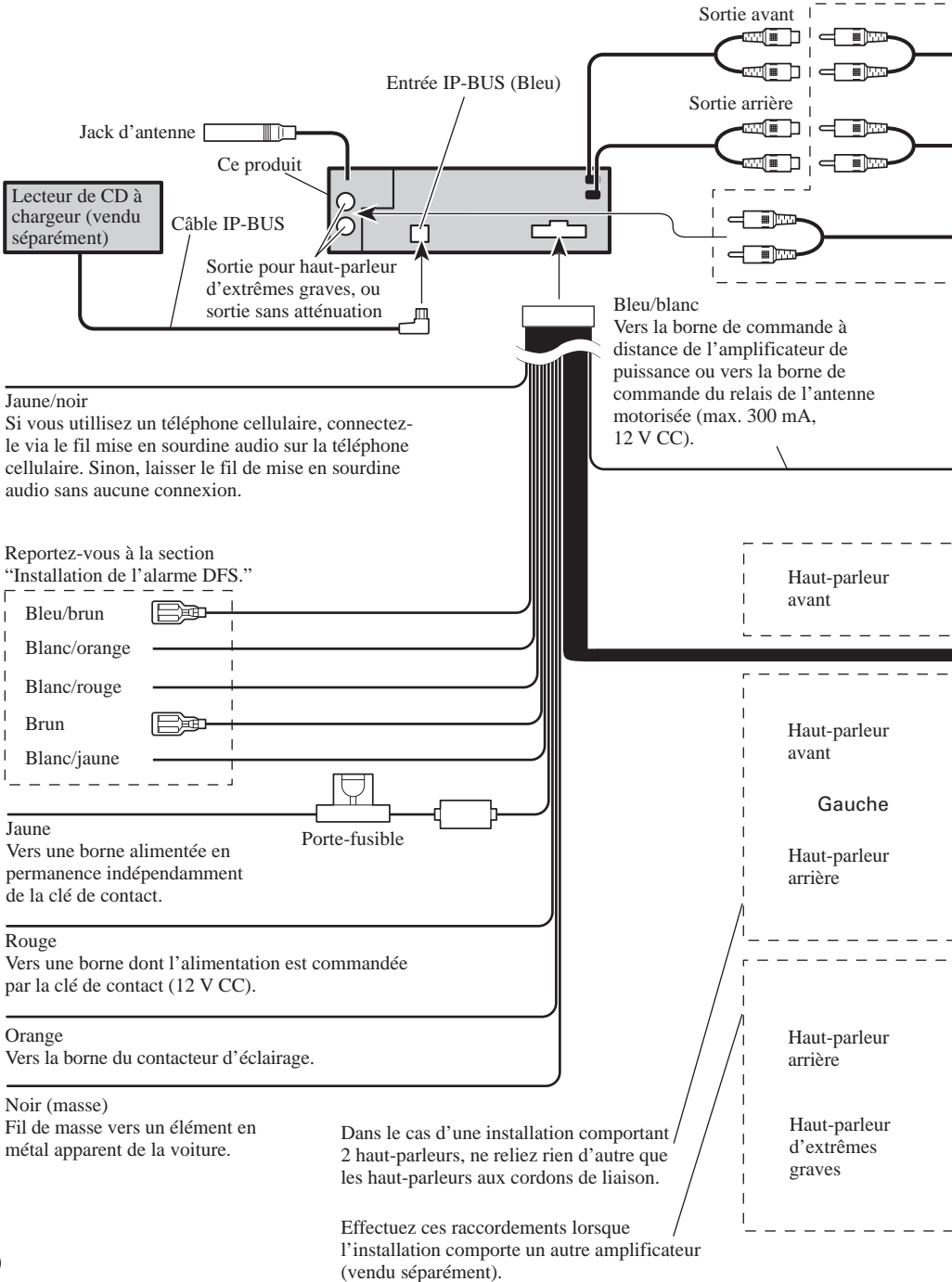
Fig. 1

- Le conducteur noir est le câble de masse. Veillez à relier ce conducteur à une masse qui ne soit pas la masse d'un appareil gros consommateur d'énergie tel qu'un amplificateur de puissance. En effet, si vous utilisez la même masse pour plusieurs appareils et si ces masses sont supprimées par un défaut de contact, l'endommagement de l'appareil, voire un incendie sont possibles.

- Les câbles de ce produit et ceux d'autres produits peuvent fort bien ne pas être de la même couleur bien que remplissant la même fonction. Pour relier ce produit à un autre produit, utilisez le manuel d'installation de chacun et effectuez les raccordements en ne tenant compte que de la fonction de chaque câble.

Raccordements des appareils

■ Lorsque l'on ne connecte pas de câble de liaison au haut-parleur d'extrêmes graves



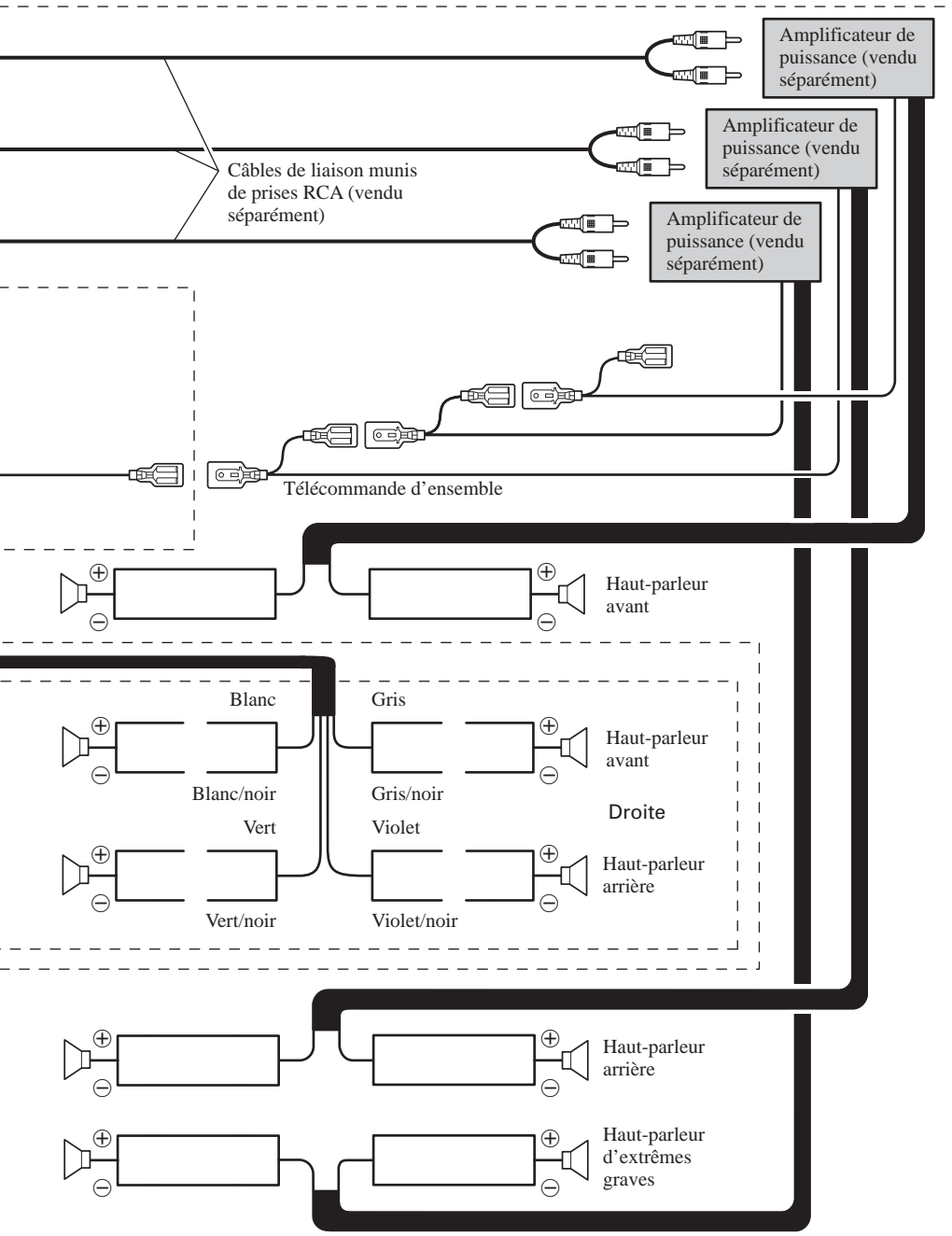
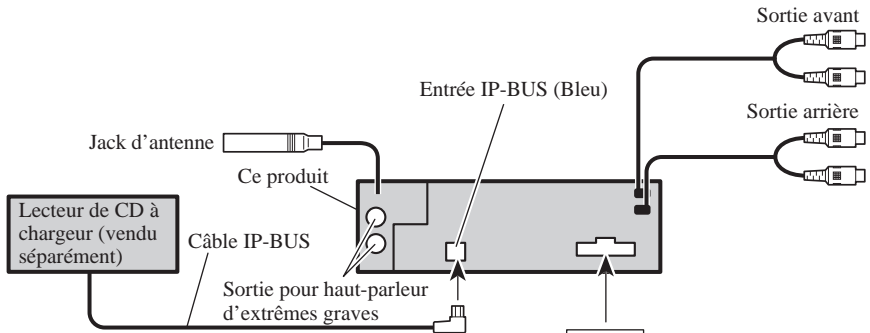


Fig. 2

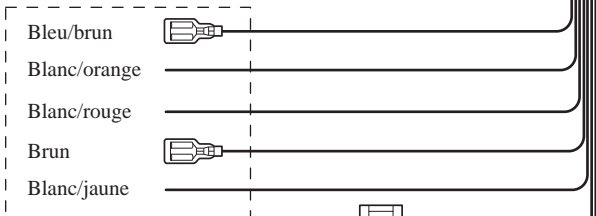
■ Lors de l'utilisation d'un haut-parleur d'extrêmes graves sans amplificateur extérieur (vendu séparément)



Jaune/noir

Si vous utilisez un téléphone cellulaire, connectez-le via le fil mise en sourdine audio sur la téléphone cellulaire. Sinon, laissez le fil de mise en sourdine audio sans aucune connexion.

Reportez-vous à la section "Installation de l'alarme DFS."



Jaune

Vers une borne alimentée en permanence indépendamment de la clé de contact.

Porte-fusible

Rouge

Vers une borne dont l'alimentation est commandée par la clé de contact (12 V CC).

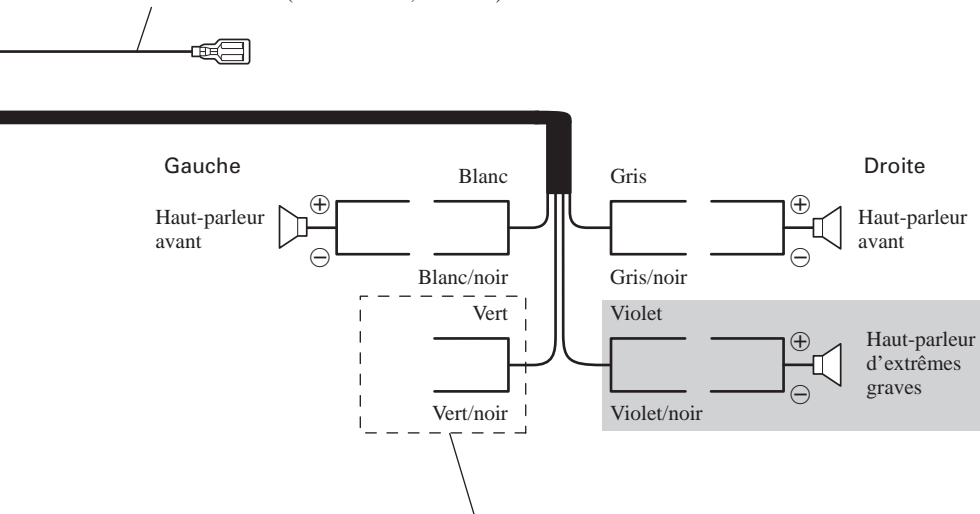
Orange

Vers la borne du contacteur d'éclairage.

Noir (masse)

Fil de masse vers un élément en métal apparent de la voiture.

Bleu/blanc
Vers la borne de commande du relais
d'antenne motorisée (max. 300 mA, 12 V CC).



Ne connectez rien à ces câbles de liaison aux haut-parleurs.

Remarque:

Change le réglage initial de ces appareils.
(Reportez-vous aux mode d'emploi.)

⚠ ATTENTION

- Etant donné la complexité du câblage des véhicules actuels, nous vous conseillons de faire installer l'alarme DFS UNIQUEMENT par un technicien agréé par Pioneer.
- Installez l'appareil de telle manière qu'il puisse aisément être débranché si le moteur ne démarre pas, et cela même si l'appareil fonctionne correctement. (Reportez-vous à la section "Coupure de démarreur", "Pour éviter des ennuis".)

Appelez les autocollants fournis sur la face intérieure des glaces avant.

Description

■ Blanc/jaune (Contacteur de portière, DOOR SWITCH) (Fig. 4 et 5)

Ce conducteur permet de mettre en service l'alarme DFS dès qu'une portière est ouverte; il peut être relié à un contacteur de portière de type positif (+) ou de type négatif (-).

■ Brun (Sortie d'alarme, ALARM OUTPUT) (Fig. 6)

Ce conducteur peut véhiculer, au choix, une sortie à niveau constant ou une tension hachée positive (+), toutes deux capables d'exciter 2 relais de 500 mA (maximum). Utilisez ce conducteur pour exciter les relais qui commandent la sirène, l'avertisseur sonore ou les feux clignotants.

■ Blanc/rouge (Détecteur d'alarme, ALARM SENSOR) (Fig. 7)

Ce conducteur est porté à une tension négative (-) et est destiné à alimenter des détecteurs tels que des détecteurs de chocs ou de bris de glace (vendus séparément).

■ Blanc/orange (Verrouillage de portière, DOOR LOCK) (Fig. 8)

Ce conducteur a pour rôle de désarmer l'alarme DFS à partir du système de verrouillage centralisé des portières ou d'un système d'alarme à déverrouillage télécommandé. Ce conducteur peut être relié aux systèmes de verrouillage des portières qui fournissent un signal de déverrouillage positif (+) ou négatif (-).

■ Bleu/brun (Coupure de démarreur, STARTER CUT-OFF) (Fig. 9)

Ce conducteur véhicule une tension de sortie positive (+) constante dès que l'alarme DFS est excitée, tension qui demeure présente pendant 30 minutes, à moins que l'alarme ne soit désarmée entre-temps. Cette sortie doit être utilisée pour commander un relais en option dont le rôle est de rendre le démarreur inopérant.

Contacteurs de portières

Le signal d'excitation fourni par l'alarme DFS accepte les contacteurs de portière de type positif ou de type négatif. Après raccordement, choisissez le type de système sur le menu de l'alarme DFS.

La minuterie de retard à la sortie de l'alarme DFS ne commence à fonctionner qu'après la fermeture de la dernière portière et l'extinction de l'éclairage de plafonnier.

Contacteur de portière (DOOR SWITCH) (Blanc/jaune)

Contacteur avec mise à la masse:

GM, Chrysler, les véhicules japonais et la plupart des véhicules européens.

Remarque:

- Grâce au menu d'alarme, réglez l'alarme DFS de façon qu'elle puisse reconnaître le signal de masse de déclenchement. Choisissez "DOOR-L :CLS" pour le système de portières.

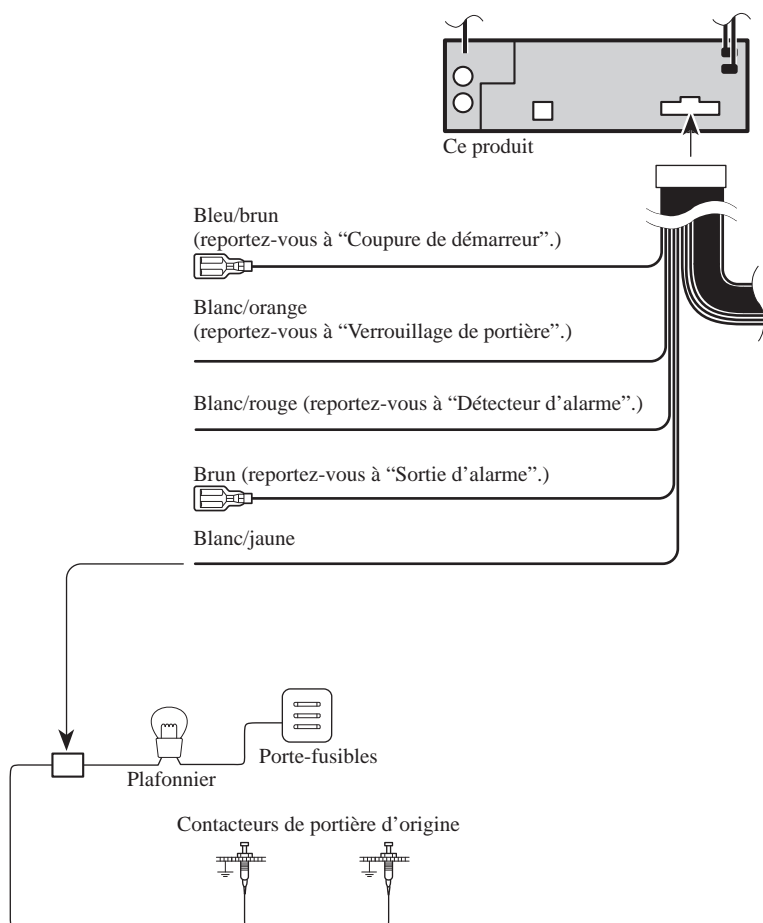


Fig. 4

Contacteur sans mise à la masse (type positif):

Ford, Jaguar, Mercedes

Remarque:

- Grâce au menu d'alarme, réglez l'alarme DFS de façon qu'elle puisse reconnaître le signal positif de déclenchement. Choisissez "DOOR-H :CLS" pour le système de portières.

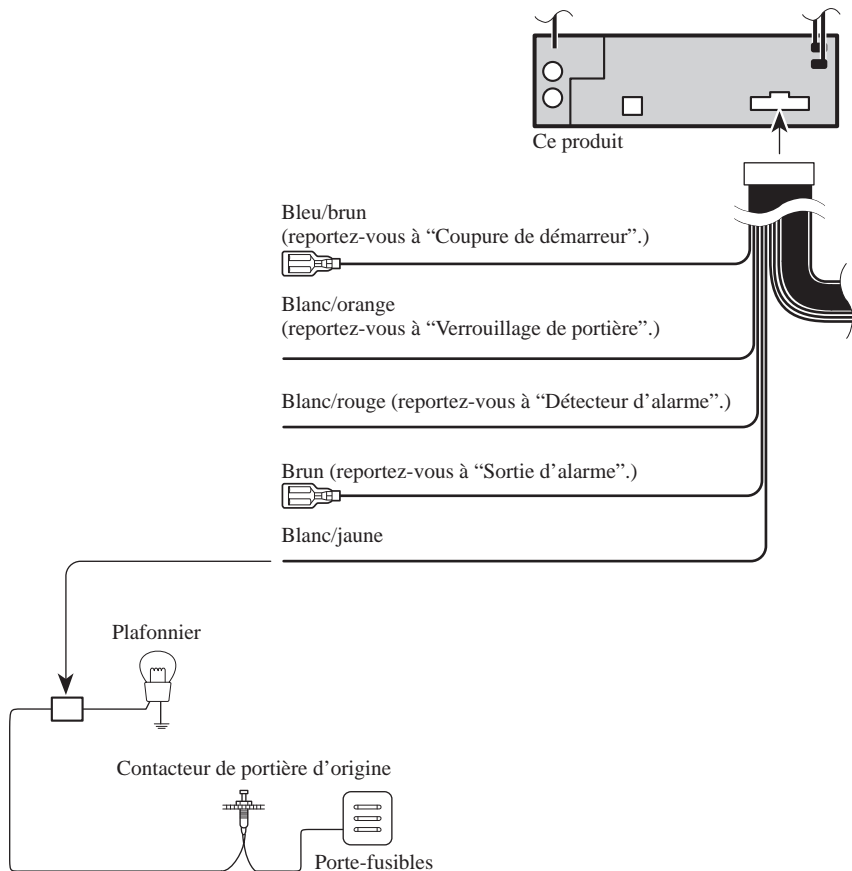


Fig. 5

Pose de contacteurs neufs

Des contacteurs sont disponibles dans le commerce pour fournir un signal de déclenchement d'alarme en cas d'ouverture du capot, du coffre, etc. Avant d'acheter un contacteur supplémentaire, assurez-vous qu'il convient au système de portière dont le véhicule est équipé.

En matière d'installation et de câblage, respectez les instructions du fabricant.

Sortie d'alarme (ALARM OUTPUT) (Brun)

Lorsque l'alarme est excitée et qu'un signal sonore se fait entendre, le conducteur brun véhicule une tension de sortie de +12 V qui peut être constante ou hachée. Le courant maximal qui peut circuler dans ce conducteur ne doit pas dépasser de 500 mA; ce courant peut être utilisé pour exciter une sirène, un avertisseur sonore ou les feux clignotants.

Câblage conseillé:

Relais 30 A (vendu séparément) requis pour le fonctionnement de la sirène, de l'avertisseur sonore ou des clignotants.

- Reliez le conducteur Brun à une borne de la bobine du relais.
- Reliez l'autre borne de la bobine à la masse.

Pour les sirènes, avertisseurs sonores ou feux clignotants qui sont excités grâce à un signal de +12 V

- Reliez le contact normalement ouvert à une source de +12 V protégée par un fusible.

Pour les sirènes, avertisseurs sonores ou feux clignotants qui sont excités par mise à la masse

- Reliez le contact normalement ouvert à la masse.

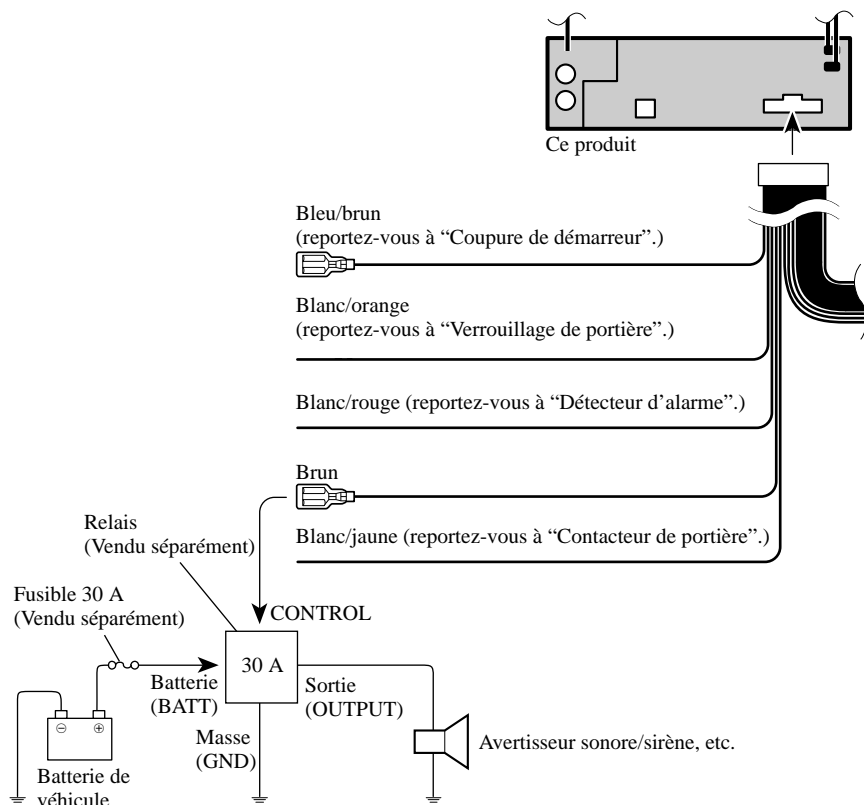


Fig. 6

Détecteur d'alarme (ALARM SENSOR) (Blanc/rouge)

Le conducteur blanc/rouge peut recevoir un signal d'excitation négatif (masse) et peut être relié à des détecteurs de choc ou de bris de glace qui sont vendus séparément. Le nombre de détecteurs n'est pas limité et vous pouvez donc en installer autant que la protection totale de votre véhicule l'exige. En matière d'installation et de câblage, respectez les instructions du fabricant.

Remarque:

- Si le détecteur de choc est sensible aux vibrations du véhicule, utilisez un détecteur fournissant une sortie négative (-). En effet, un détecteur à sortie positive (+) provoquerait le fonctionnement continu de l'alarme sonore et ne donnerait pas pleinement satisfaction.

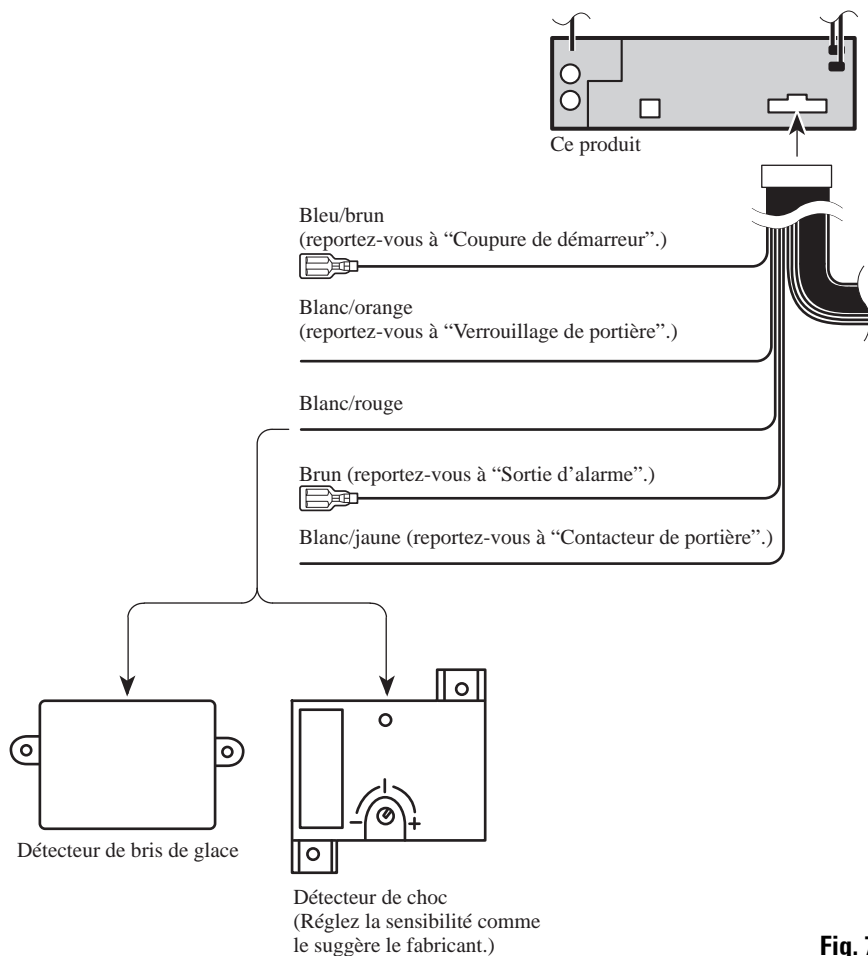


Fig. 7

- Pour que le fonctionnement de l'alarme DFS puisse être obtenu dans les meilleures conditions voulues, Pioneer vous suggère de n'utiliser que des câbles blanc/rouge et des détecteurs électroniques capables de fournir une impulsion de largeur supérieure à 64 ms.

Verrouillage de portière (DOOR LOCK) (Blanc/orange)

Le conducteur blanc/orange doit être relié au conducteur de “déverrouillage” du système de verrouillage centralisé des portières; de cette manière, lorsque vous ouvrez la portière du conducteur au moyen de la télécommande, l’alarme DFS Pioneer se trouve mise hors service.

Tout d’abord, recherchez les deux conducteurs du contacteur de verrouillage/déverrouillage qui actionne le solénoïde, monté d’origine, de verrouillage de la portière du conducteur. Au moyen d’un appareil de mesure, déterminez le conducteur qui commande le déverrouillage de cette portière puis reliez ce conducteur au conducteur blanc/orange de l’autoradio stéréo Pioneer. Sur le menu d’alarme DFS, choisissez le type de verrouillage centralisé des portières (mise à la masse, ou absence de mise à la masse) qui correspond à celui du véhicule.

Si vous rencontrez des difficultés dans le raccordement de ce conducteur, veuillez vous adresser à un installateur compétent.

Remarque:

- Si votre véhicule est pourvu d’un verrouillage centralisée des portières mais ne comporte ni détecteur de bris de glace ni détecteur de choc, l’alarme DFS de cet appareil ne fonctionne pas au moment où une glace est cassée et le verrouillage se trouve libéré.
- Pioneer vous conseille d’installer un détecteur de choc et un détecteur de bris de glace si vous souhaitez utiliser la possibilité de “désarmement à distance”.

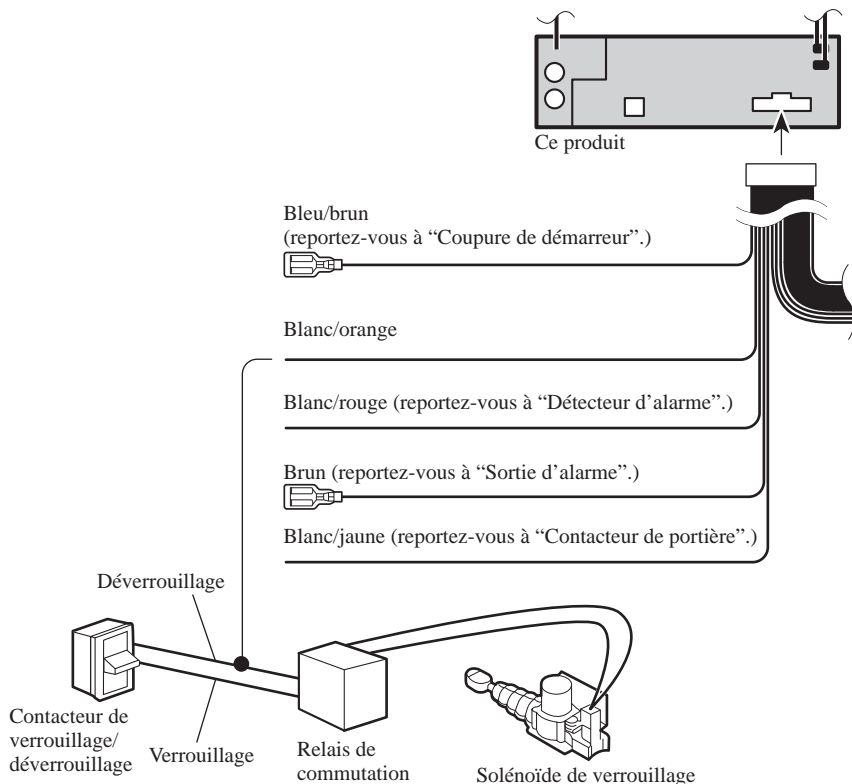


Fig. 8

Coupure de démarreur (STARTER CUT-OFF) (Bleu/brun)

Le conducteur bleu/brun fournit, pendant les 30 minutes qui suivent l'apparition du premier signal d'excitation, une tension constante de +12 V tandis que l'alarme retentit et cela pour 5 signaux d'excitation consécutifs. Le courant maximal qui peut circuler dans ce conducteur ne doit pas dépasser de 500 mA; ce courant peut être utilisé pour exciter un relais ayant pour objet de rendre le démarreur inopérant.

Remarque:

- De façon que l'alarme DFS fonctionne au moment où une glace est brisée, reliez soigneusement le conducteur blanc/rouge (ALARM SENSOR) au détecteur de bris de glace.
- De façon que l'alarme DFS fonctionne au moment où l'on force une portière, reliez soigneusement le conducteur blanc/jaune (DOOR SWITCH).

Câblage conseillé:

Relais 30 A (vendu séparément) requis pour interdire le fonctionnement du démarreur.

- Reliez le conducteur bleu/brun à une borne de la bobine du relais.
- Reliez l'autre borne de la bobine à la masse.
- Recherchez le câble de démarreur, sous le tableau de bord, près de la colonne de direction.
- Coupez le câble du démarreur et tentez de démarrer le véhicule pour vous assurer que cela n'est pas possible et que le câble coupé est bien celui du démarreur.
- Reliez l'extrémité libre du câble, côté clé de contact, au contact normalement fermé.
- Reliez l'extrémité libre du câble, côté démarreur, au contact commun.

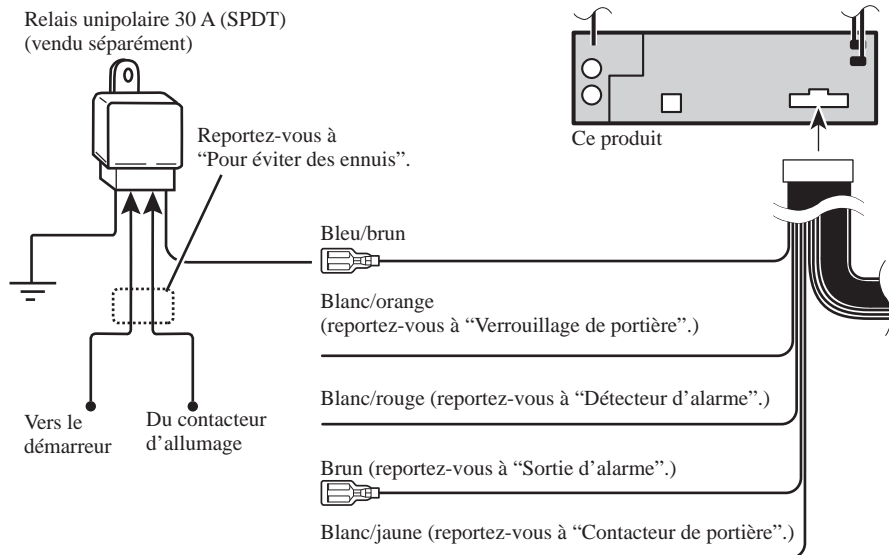


Fig. 9

Pour éviter des ennuis

Il se peut que le moteur ne démarre pas quand bien même l'appareil fonctionnerait-il correctement. En ce cas, procédez aux opérations suivantes pour résoudre le problème. Si vous installez un interrupteur pour apporter une solution au problème, veillez à ce qu'il soit aussi peu visible que possible.

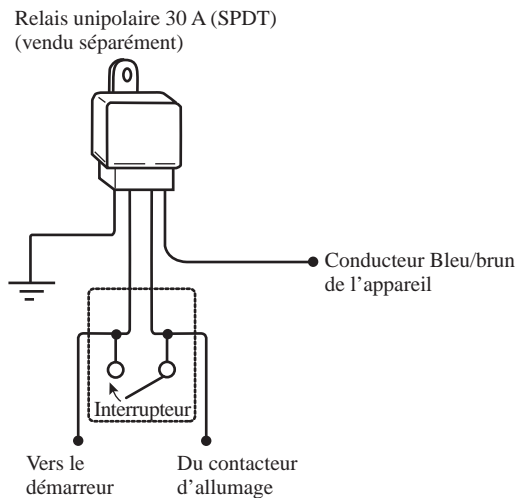


Fig. 10

Remarque:

- Utilisez un appareillage électrique (câbles, conducteurs, etc.) capable de supporter un ampérage supérieur à celui du relais utilisé.

Remarque:

- Avant de finaliser l'installation de l'appareil, connecter temporairement le câblage en s'assurant que tout est correctement connecté et que l'appareil et le système fonctionnent correctement.
 - Pour obtenir une bonne installation, n'utiliser que les pièces de l'appareil. L'utilisation de pièces non prévues risque de causer un mauvais fonctionnement.
 - Consulter le concessionnaire le plus proche si l'installation nécessite le percement de trous ou toute autre modification du véhicule.
 - Installer l'appareil à un endroit où il ne gêne pas le conducteur et où il ne peut pas blesser les passagers en cas d'arrêt brusque, comme pendant un arrêt d'urgence.
 - Le laser semiconductor sera endommagé en cas de réchauffement excessif. Dans ce cas ne pas installer l'appareil dans un endroit présentant une température élevée, tel que sortie de chauffage.
- L'angle de l'installation, ne doit pas dépasser 60° par rapport à l'horizontale, faute de quoi l'unité ne fournira pas ses performances optimales. (Fig. 11)

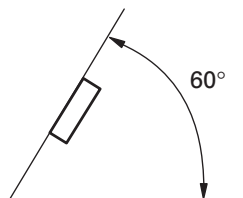


Fig. 11

Montage DIN avant/arrière

Cet appareil peut être monté aisément, ou par le procédé de montage avant DIN (normal), ou bien par le procédé de montage arrière DIN, en utilisant les orifices de vis sur les côtés du châssis de l'appareil. Pour les détails veuillez vous référer aux méthodes de montage illustrées qui suivent.

Montage DIN avant

Installation avec une bague en caoutchouc (Fig. 12)

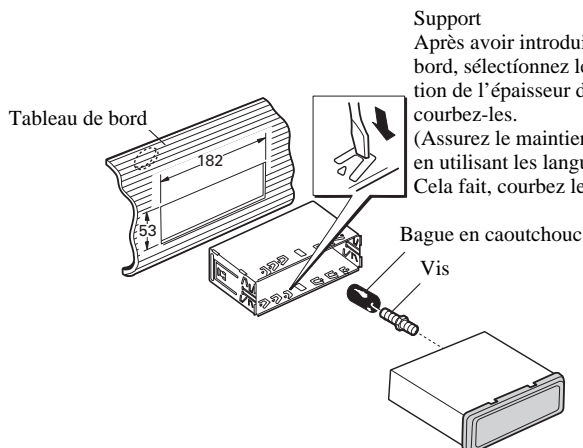


Fig. 12

Dépose de l'unité (Fig. 13) (Fig. 14)

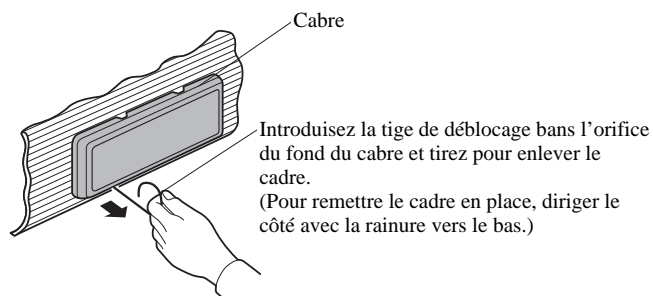


Fig. 13

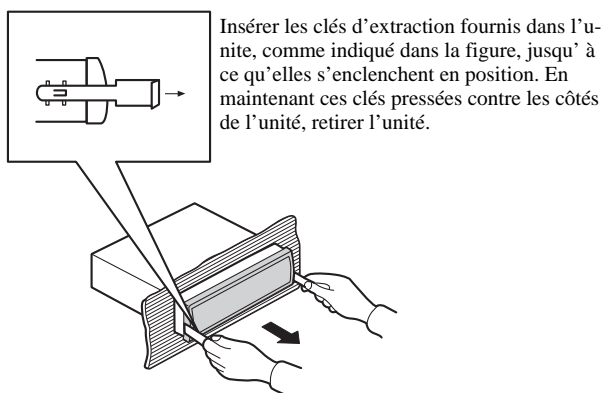


Fig. 14

Montage DIN arrière

Installation en utilisant les trous de vis sur les côtés de l'appareil

1. Enlever le cadre. (Fig. 15)

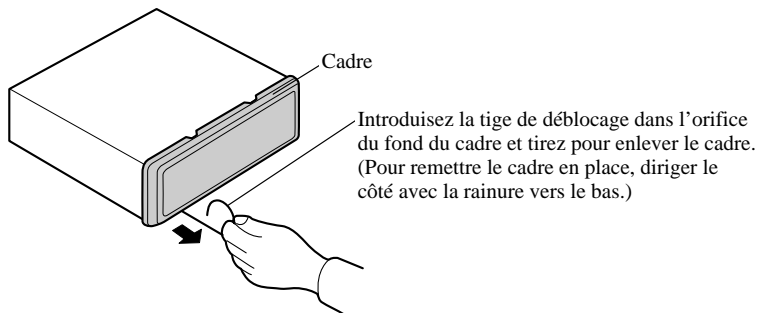


Fig. 15

2. Fixation de l'appareil au support pour le montage de la radio installée par le constructeur. (Fig. 16) (Fig. 17)

Choisir la position selon laquelle les orifices de vis du support et ceux des vis de l'appareil principal sont alignés (correspondent) et serrer les vis sur 2 endroits de chaque côté. Utiliser l'une des vis de serrage (5 × 8 mm) ou les vis à tête plate (5 × 9 mm), selon la forme des trous de vis sur le support.

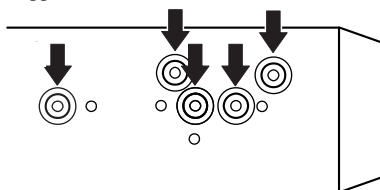


Fig. 16

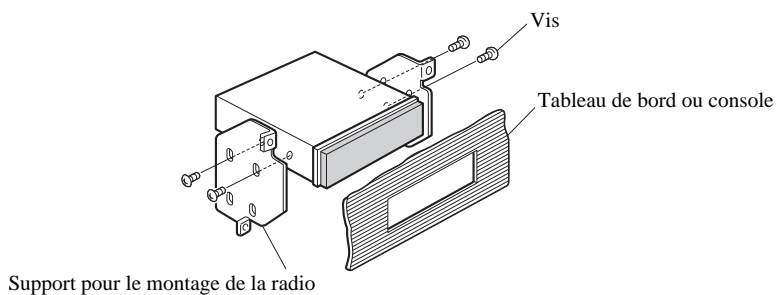


Fig. 17

PIONEER CORPORATION

4-1, MEGURO 1-CHOME, MEGURO-KU, TOKYO 153-8654, JAPAN

PIONEER ELECTRONICS (USA) INC.

P.O. Box 1760, Long Beach, California 90801, U.S.A.

TEL: (800) 421-1404

PIONEER ELECTRONIC (EUROPE) N.V.

Haven 1087 Keetberglaan 1, 9120 Melsele, Belgium

TEL: (0) 3/570.05.11

PIONEER ELECTRONICS AUSTRALIA PTY. LTD.

178-184 Boundary Road, Braeside, Victoria 3195, Australia

TEL: (03) 9586-6300

PIONEER ELECTRONICS OF CANADA, INC.

300 Allstate Parkway, Markham, Ontario L3R 0P2, Canada

TEL: (905) 479-4411

PIONEER ELECTRONICS DE MEXICO, S.A. de C.V.

San Lorenzo Num 1009 3er piso Desp. 302

Col. Del Valle, Mexico D.F. C.P. 03100

TEL: 5-688-52-90

Published by Pioneer Corporation.

Copyright © 1999 by Pioneer Corporation.

All rights reserved.

Publication de Pioneer Corporation.

Copyright © 1999 Pioneer Corporation.

Tous droits de reproduction et de traduction réservés.