



AppRadio SPH-DA02 Firmware Update Version 4.17 (October 2013)

This firmware update applies only to AppRadio SPH-DA02 units sold in the United States and Canada and provides compatibility with an iPhone 4 or iPhone 4S running iOS 7.

In order to perform this update, the following items are needed:

- Pioneer SPH-DA02 AppRadio Receiver
- microSD card

IMPORTANT

Please download and print these AppRadio Firmware Update instructions before downloading and installing the firmware update. It is very important that you complete all steps correctly and in the order described below.

WARNING! This firmware update applies only to AppRadio (SPH-DA02) units sold in the United States and Canada that have previously been updated to firmware v4.16.

DO NOT perform this firmware update if your AppRadio SPH-DA02 does not already have firmware update v4.16, released in July 2012, installed.

How to determine if the v4.16 firmware update has already been installed:

1. From the AppRadio main screen, press the settings 'gear' icon in the upper left hand corner, and then select the General settings icon.
2. Press the Radio icon at the bottom of the General Settings screen.
 - If the Software Version shows vV4.16, the update has already been installed. You can proceed with the v4.17 firmware update as outlined in the steps below.
 - If the Radio settings screen shows a software version of 4.10 or lower, the v4.16 update must be installed first. The v4.16 firmware update and instructions can be found here: [http://www.pioneerelectronics.com/PUSA/Car/AppRadio/AppRadio+\(SPH-DA02\)+Firmware+Update+v4.16+\(July+2012\)](http://www.pioneerelectronics.com/PUSA/Car/AppRadio/AppRadio+(SPH-DA02)+Firmware+Update+v4.16+(July+2012))

Note: If you have any difficulty carrying out these instructions or wish to have this update performed by Pioneer, please contact Pioneer Customer Service toll free at (800) 421-1404 during regular business hours (M-F 10:30AM - 7:00PM Eastern Time, excluding holidays) for assistance.

A. Downloading the firmware update file

1. **Download the firmware update by clicking:** <http://www.pioneerelectronics.com/PUSA/Support/Downloads>

Once you have downloaded the .ZIP file to your computer, locate the file on your computer and double click the file to decompress it. If you do not have a decompression utility installed on your computer, you can download WinZip at <http://www.winzip.com> (purchase may be required).

2. **Once the .ZIP file is decompressed, locate and copy the "CE66" folder onto a blank microSD card.**

*Note: Ensure that the "CE66" folder is located within the root (top) layer of the microSD card. There should be

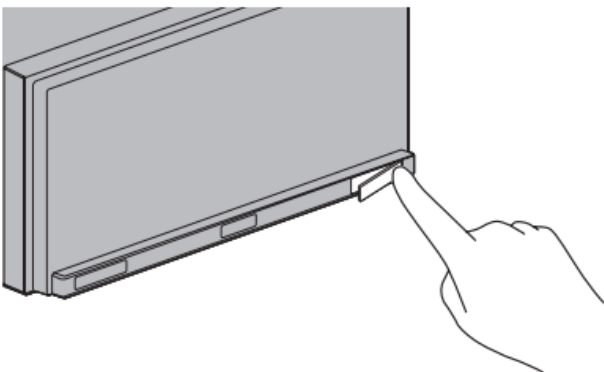
no other files on the microSD card.

B. Updating the firmware on your AppRadio SPH-DA02

IMPORTANT

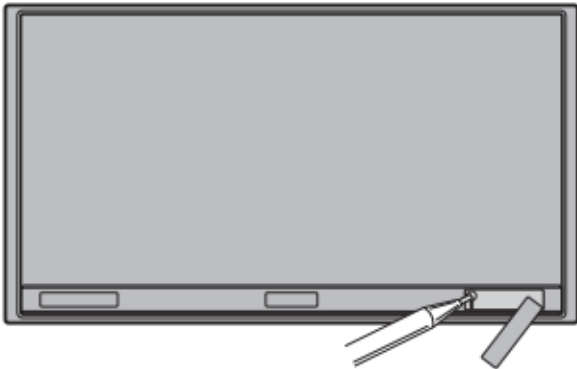
- Please **DO NOT** perform any further steps of this firmware update if the model number is anything other than SPH-DA02.
 - Check the model number of your system to confirm that you are using an AppRadio SPH-DA02
 - Check the lower left side of the face panel to find the model number of your system. The model number is printed on the horizontal surface just above the volume buttons.
- microSD storage device requirements:
 - 512 MB or larger in capacity, formatted to FAT32
 - Should be blank (should not contain any files)
- Ensure that the update file is located within the root (top) folder of your microSD storage device. There should be no other files within the microSD storage device.
- While your AppRadio is being updated, **DO NOT** turn off the system's power and **DO NOT** touch the AppRadio's touchscreen panel. Failure to heed this warning may result in serious damage to your AppRadio.
- **DO NOT** remove the microSD memory device during the firmware update process.
- Disconnect any mobile devices that are currently connected to your AppRadio.
- Performing the firmware update will restore all settings to their default values.

1. **Before proceeding, disconnect any connected iPhone 4 or 4S or iPod touch devices. Turn the vehicle's key to the ON position and power up the AppRadio.**
2. **Gently press the right side of the microSD slot cover as illustrated below to reveal the microSD card slot.**



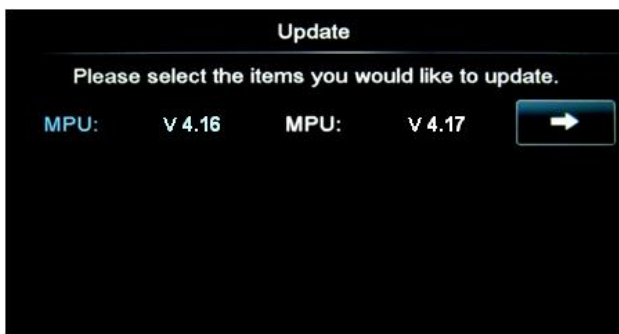
3. **With the AppRadio home screen displayed on the AppRadio, load the microSD card into your AppRadio.**

- Using a pointed object, such as the tip of a pen, press the reset button, which is located just to the left of the microSD slot.

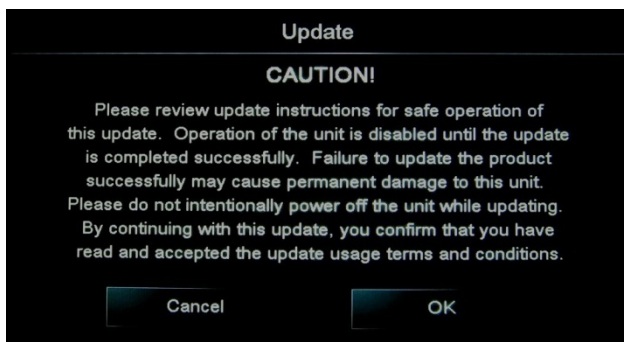


The system will automatically reboot and start the update process within one minute.

- After the AppRadio has started up, the AppRadio display will show the following screen:

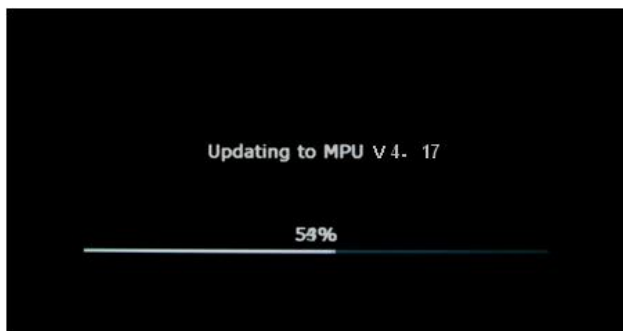


- Press the right arrow button to begin the boot file update process. The following caution will appear:



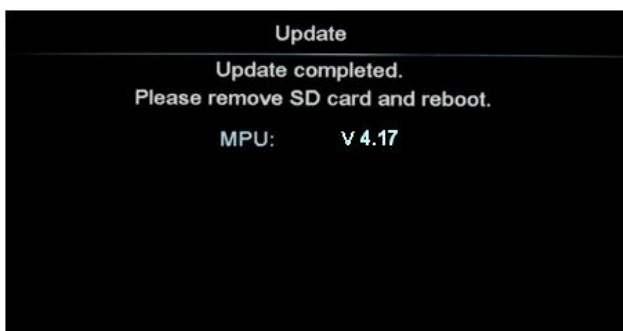
Read the caution carefully and press the [OK] button to confirm your understanding and begin the firmware update.

7. The update process will begin and the update progress will be displayed onscreen:



WARNING! While your AppRadio is being updated, **DO NOT** turn off the power to the system. Severe damage to your AppRadio multimedia system could result from your failure to obey this warning.

Once the update process is complete, the AppRadio will reboot and the following screen will appear:



8. Eject the microSD card from the AppRadio and press the reset button. Your AppRadio is now ready for use.

Questions?

If you have any questions, please contact Pioneer Customer Service toll free at (800) 421-1404, Monday through Friday from 10:30 a.m. to 7:00 p.m. (Eastern Time), excluding holidays.