

DVD Players –Control Using a RS-232C Interface Cable (other than the CC-13 cable)

OVERVIEW:

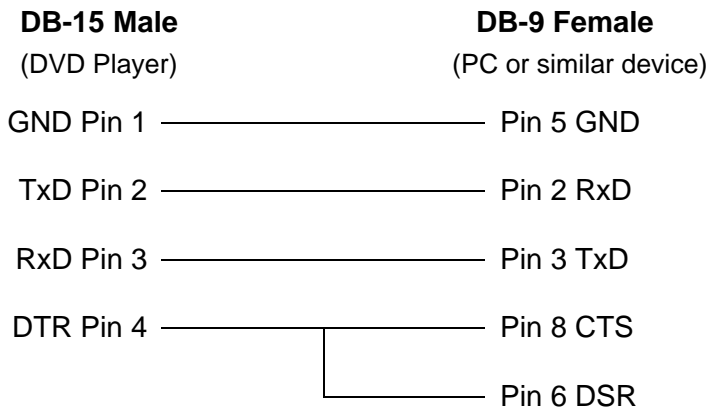
Often Pioneer DVD players are installed in tradeshow booths, museums, and other venues where the unit is hidden or not easily accessed. The DVD player depends upon another device to control disc playback.

A computer or other serial device can control the DVD-V5000 or DVD-V7400 professional DVD player when connected through the Extended Terminal (D-sub,15 pin, female) connector. The PC or device sends signals using a custom RS-232C cable, Pioneer part number CC-13.

Note: Pin-out information is listed below.

TECHNICAL DETAILS:

With the scarcity of the Pioneer CC-13 cable, customers are encouraged to have a RS-232C cable built. Below is the wiring diagram for the DVD-V7400 (or DVD-V5000) DB-15 interface connector to an EIA-232-E (RS-232) DB-9.



ADDITIONAL INFORMATION:

For help with your Pioneer DVD player please contact Pioneer Service at (800) 421-1613 or a Pioneer sales/technical representative: [CA] 310-952-2000 or [NJ] 973-338-1200.

Additional DVD-V5000 and DVD-V7400 information is available on the Pioneer website:

http://www.pioneerelectronics.com/pna/business/product/support/home/0,,2076_4239,00.html