

OVERVIEW:

The PRV-LX1 is a professional-level DVD recorder designed to provide many hours of video recording and playback performance. While every operating environment is unique, there are some general maintenance practices you can follow to keep your PRV-LX1 running at optimal performance.

This document offers some general guidelines and maintenance recommendations for the PRV-LX1.

- Run a system check on the hard disk drive (HDD)
- Clean the filters on the front of the unit
- Check the Read/Write hours on the DVD drives

TECHNICAL DETAILS:

For details about the general maintenance practices noted above, refer to the following sections. If you have questions or need additional assistance please contact your Pioneer representative.

WARNING: Removing the PRV-LX1 cover automatically voids the warranty. Proceed with the drive replacement only if your unit is already out of warranty or you accept to knowingly voiding the warranty.

We strongly recommend that you send your PRV-LX1 to Pioneer Service for any repairs or part replacement. Pioneer offers a free loaner PRV-LX1 while your unit is being serviced.

HDD System Check

To maintain optimal performance, run a system check on the HDD about every three months. If the recorder is used heavily, perform the HDD system check more frequently.

The HDD system check option is available under the **System > HDD Tools** menu. The process locates and repairs minor HDD errors and logs errors that the recorder is unable to repair. All results are displayed on your connected monitor.

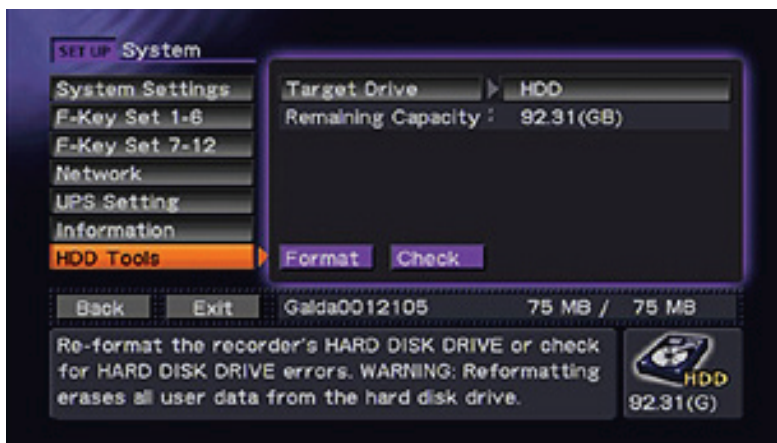
To run a system check on the HDD, power on the PRV-LX1 and follow the directions below. Although these instructions refer to the front panel, you may use the front panel, the remote control, or a USB mouse to make selections from the PRV-LX1 menu.

1. Press the **Function** button on the front panel to access the Function Menu.

2. Scroll down to the **Setup** menu using the arrow buttons.
The first option, System, is highlighted.



3. Press **Enter** to access the System submenu.
4. Scroll down to highlight **HDD Tools**.



5. Scroll right and down to highlight **Check**.
6. Press the **Enter** button on the front panel to begin checking the HDD for errors.
The HDD System Check executes and corrects recoverable errors.

The check results appear on the monitor screen. The list reports fixed error as well as any serious error conditions. If there are any unrepaired errors, contact an authorized Pioneer Service representative at (800) 872-4159 for further assistance.

Cleaning/Replacing Filters

Visually inspect the PRV-LX1 filters for debris or blockage about every three months. The time period between inspections depends on the operating environment. Check the front filters more frequently if the recorder is installed in an area subject to large quantities of dust, oils, or poorly ventilated environments.

To determine when to replace versus clean filters, refer to the following chart:

Clean The Filters

- ✓ grime on filter cover can be wiped away
- ✓ visible dirt on the filter is removable with a small vacuuming device
(available commercially)

Replace the Filters (Part # DEC2530)

- ✓ cover or filter feels greasy to the touch
- ✓ any dirt or debris remains after wiping the cover or vacuuming the filter

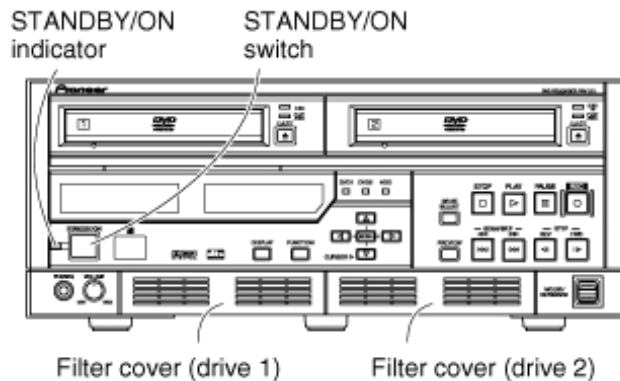
The replacement filter (P/N **DEC2530**) is available from the Pioneer Electronic Service organization.

<http://parts.pioneerelectronics.com>

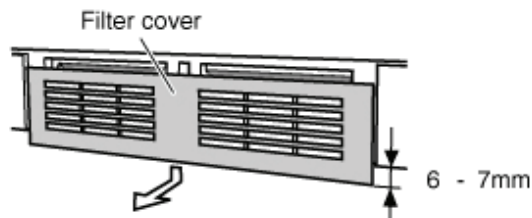
or call (800) 228-7221 for the Parts Department

The replacement part DEC2530 consists of a single filter. Replace both front filters at the same time to keep the PRV-LX1 at top performance. Follow the directions below to replace a filter.

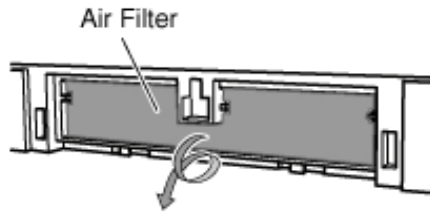
1. Confirm that the PRV-LX1 is in Standby (indicator light is orange).
If the PRV-LX1 is not in Standby, stop any current operation then press and hold the STANDBY/ON button for at least two seconds to place the recorder in Standby.



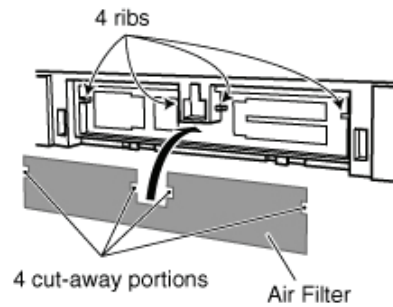
2. Turn the main power off.
Set the rear power switch to OFF.
3. Disconnect the power plug from the outlet.
4. Slide a front filter cover down while pulling the bottom edge slightly away to remove it.
Do not discard this cover as it is reused.



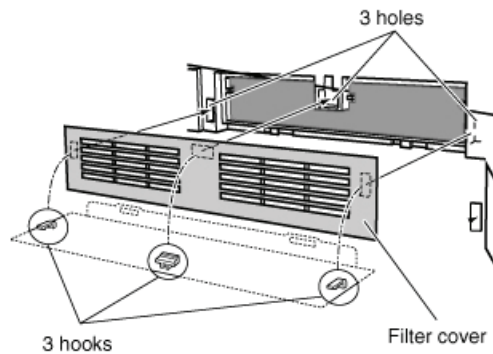
5. Pinch the air filter with your fingertips and pull it from the vent hole.



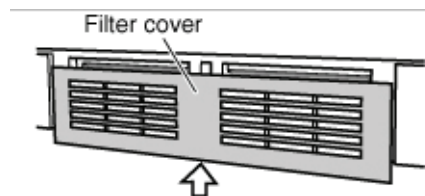
6. Insert the new filter so that the four cut-away portions align with the four ribs on the air intake. *When installing a new filter, do not bend or fold the filter material.*



7. Align the filter cover's three hooks directly below the corresponding holes on the air intakes.



8. Hold the cover carefully into place.
9. Slide the filter cover back up into place. *Confirm that the three hooks fasten securely with a "click" or until you feel light resistance.*



10. Repeat this process for the other vent.

If a filter cover is uneven, dust and other debris can enter the PRV-LX1. Attempting to replace the cover when the filter is protruding from the air intake may damage the unit. Do not power on the PRV-LX1 until both the filter and cover are seated properly.

DVD Drive Usage Check/Replacement

Periodically check the READ/WRITE HOURS on the DVD drives (DVD 1 and DVD 2). The PRV-LX1 drives are designed for reliability and high performance. However, operating environments, especially those that are dusty or poorly ventilated, can contribute to DVD drive failure. If your recorder is in a mission-critical installation where any downtime is unacceptable, we strongly urge you purchase spare DVD drives for quick replacement if necessary. Please be aware that replacing a DVD drive yourself means removing the recorder's cover which voids the warranty.

The Pioneer Electronics part number for a replacement DVD Writer is **DXX2532**. This model is designed specifically as a replacement drive for the PRV-LX1. Installing any other DVD drive in the recorder causes operating errors. To order a replacement drive DXX2532, call Pioneer Electronics Service Parts department at (800) 228-7221 or order on-line at: <http://parts.pioneerelectronics.com>.

To replace a DVD Writer, you need to remove the top cover and unplug all cables from the drive. Take care when installing the drive so that no cables are pinched and the tray panel is mounted properly. For more information about drive replacement, refer to the [PRV-LX1 Product Information Bulletin # 190110: PRV-LX1 - DVD Writer Replacement](#). This document is available for download from the [PRV-LX1 Support](#) page on the PioneerElectronics.com website.

(http://www.pioneerelectronics.com/pna/v3/pg/support/details/0,,2076_310070217_38303,00.html)

If for any reason such as your unit is still in warranty or you are uncomfortable with this procedure, contact an authorized Pioneer service representative before attempting to replace a drive.

Note: The DXX2532 cannot be used as a second drive if your PRV-LX1 recorder is a single-drive model. The replacement drive does not include parts critical to a second drive installation. If you own a single drive version PRV-LX1 and wish to add a second drive, please contact your Pioneer representative for ordering assistance.

ADDITIONAL INFORMATION:

For more information or for additional assistance with your PRV-LX1 please call the toll-free number listed at the bottom of this page or send an email to: LX1-help@pioneer-usa.com.