

HOME MEDIA GALLERY Firmware Update Instructions for Models SC-25 and SC-27

⚠ CAUTION

DO NOT TURN OFF THE RECEIVER, THE PC BEING USED FOR THE UPDATE, OR ANY NETWORK DEVICES NEEDED TO ACCESS THE INTERNET OR YOUR NETWORK (SUCH AS A ROUTER) DURING THE UPDATE PROCESS. DOING SO MAY DAMAGE THE RECEIVER. ONLY MICROSOFT WINDOWS AND INTERNET EXPLORER HAVE BEEN TESTED WITH THIS PROCEDURE. OTHER OS AND BROWSERS MAY NOT PROPERLY UPDATE THE RECEIVER.

Please close all applications on the PC before you begin the steps below to update the Receiver's firmware.

Also, confirm the completion of the firmware update using the PC.

If you do not perform an action in the GUI screen for over five minutes, the screen saver will activate.

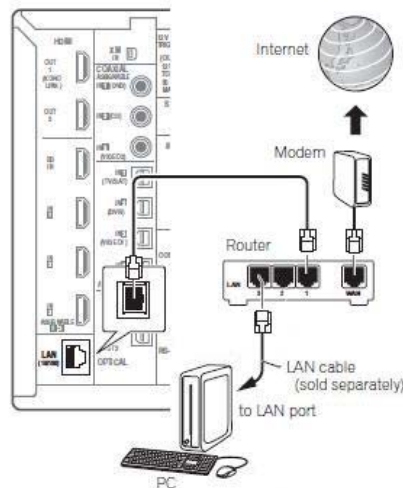
The setting for the Network (including account information), Favorite, Preset and Recently Played are reset to factory default after the update. Write down these settings before the update as they will need to be set up again.

Connecting to the Network and Internet Using the LAN Interface

👤 Important

Before making or changing any of the connections illustrated below, please switch off the power to the device(s) involved and disconnect the power cord from the power outlet. Plugging in the devices to the power outlet should be the final step.

The illustration below shows model SC-27 at the rear left, however the connections for model SC-25 are the same except where noted.



Connect the LAN terminal on the Receiver to the LAN terminal on your router (with or without the built-in DHCP server function) with a straight LAN cable CAT5 or higher.

1) Checking the Firmware Version

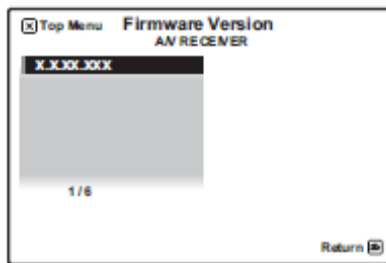
****Use the Receiver's remote control for the following three steps****

- a) Press HOME MEDIA GALLERY button to select 'Home Media Gallery' as the input function.
- b) Select 'Setup' and press ENTER to confirm your selection.

The Setup screen appears.

- c) Select 'Information' and press ENTER to confirm your selection.

The Firmware Version for the Home Media Gallery is displayed.



TV Screen

- d) On the PC, please go to Pioneer's website to determine the latest firmware version available for the Receiver. You will need to go to the following location on the Pioneer website to determine the latest firmware version available for the Receiver:

For SC-25:

<http://www.pioneerelectronics.com/PUSA/Home/AV-Receivers/Elite+Receivers/SC-25?tab=firmware>

For SC-27:

<http://www.pioneerelectronics.com/PUSA/Home/AV-Receivers/Elite+Receivers/SC-27?tab=firmware>

If the firmware version displayed on the Receiver and displayed on Pioneer's website are the same, it is NOT NECESSARY to update the Receiver.

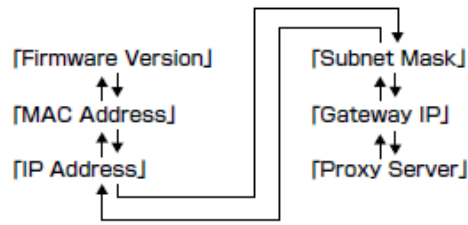
If the firmware version displayed on the Receiver and displayed on Pioneer's website are different, it is NECESSARY to update the Receiver. Please proceed to the next step.

2) Updating the Firmware of the Receiver

****Use the PC for steps a) and i) to p). Use the Receiver remote control for steps b) to h).****

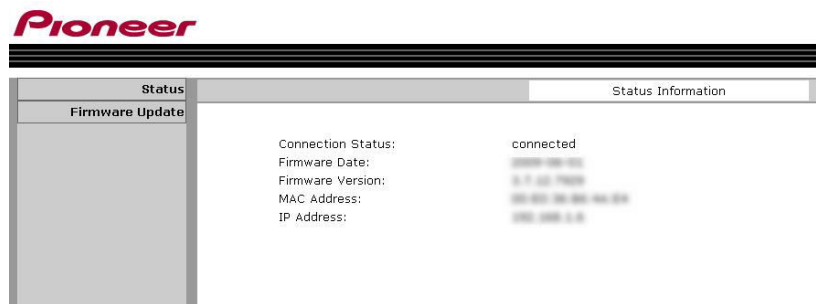
- a) Using the PC, download the latest firmware file from Pioneer's website (URL is listed in step D above). Select the HMG Firmware Upgrade to download the file, and save the .zip file in it to a folder on the PC. Unzip that file and save the unzipped file to the folder. Make a note of the location of the downloaded file for Step 12.

- b) Press the HOME MEDIA GALLERY button on the Receiver's remote control to select 'Home Media Gallery' as the input function.
- c) Select 'Setup' and press the ENTER button to confirm your selection.
The Setup screen appears.
- d) Select 'Information' and press ENTER button to confirm your selection.
The Firmware Version for the Home Media Gallery is displayed.
- e) Check the network settings.
- f) Press the \uparrow/\downarrow buttons to switch the display. Each time you press \uparrow/\downarrow , the display switches as follows.

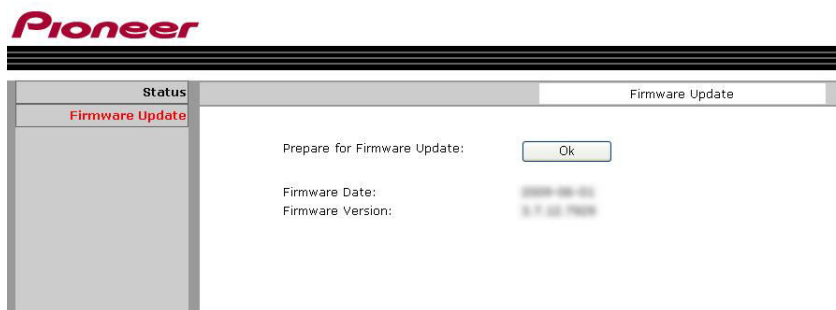


- g) Please write down the current firmware version of the Receiver AS WELL AS the IP address of the Receiver.
- h) Press the top menu button to return to the top menu.
- i) Open the PC's web browser, input the IP address you noted in step g) into the address bar, and then press Enter.

The following should be displayed on the PC screen:

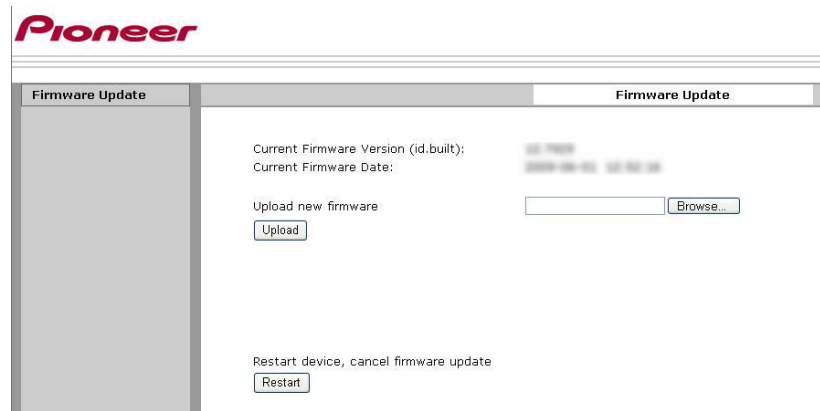


- j) Click on the 'Firmware Update' in the left column.
The current firmware version is displayed on the PC screen.
- k) Click on the 'OK' button located next to the 'Prepare for Firmware Update'.



- l) Preparations for updating are performed. Follow the instructions on the screen, wait ten or more seconds.
--If the screen does not switch, click on the “click here” on the PC screen.

The following image should now be displayed on the PC screen:



- m) Click on the Browse button and open the folder that contains the firmware file you downloaded in step a) and then select the unzipped firmware file (Do not use the .zip file).
- n) Click on the ‘Upload’ button.
The confirmation screen prior to updating appears, and the name of the new firmware file and other information are displayed.
- o) Click on the ‘OK’ button.
The firmware updating progress should be displayed on the PC screen. Wait until Firmware upload status “100% completed” is displayed.
- p) Click on the ‘OK’ button.
The screen in step i) reappears. If it does not, update the page by clicking on the Refresh button of the browser.
-- If the firmware version displayed here is the latest version, then the firmware update was successful.
Continue to step q).
-- If the firmware version displayed here is NOT the latest version then the firmware update was not successful.
Please contact Pioneer Customer Service for further instruction.
- q) Switch off the Receiver and close the PC browser. The firmware update is complete and the Receiver is now ready for use.

If you have question, please contact Pioneer Customer Service at 800-421-1404, select option 2, and then option 4, to reach Product Support. Hours are M-F, 10AM-7:30PM Eastern Time.