



# A/V Receiver Models VSX-1121-K, VSX-52, and VSX-53

## Firmware Ver.: 1-204-087-119-093

### Update Instructions Using a USB Storage Device

Use this procedure to update the A/V receiver's firmware using a USB storage device. If you have any difficulty carrying out these instructions, please call Pioneer's Customer Support Center toll free in the USA at 1-800-421-1404 for assistances.

#### 1) Required Items:

- a) USB Storage device formatted FAT 16 or 32 and no files or folders stored on the device.
- b) The Firmware Update file can be downloaded from Pioneer's website at:

<http://www.pioneerelectronics.com/PUSA/Home/AV-Receivers>.

Select your model class Pioneer or Elite.

Select the "Products" tab near the top of the page.

Select the **VIEW PREVIOUS MODELS** at the bottom of the section.

Page down to find your model number and select "Firmware Updates".

Download the file by selecting the Firmware Update text and save the file AVR\_1\_204087119093.zip to a folder on your PC.

**CAUTION: CONFIRM THE FIRMWARE FILES AND APPROPRIATE PROCEDURE ARE FOR THE MODEL YOU ARE UPDATING. USING THE INCORRECT FILES MAY RENDER THE UNIT INOPERABLE AND REQUIRE REPAIR.**

**DO NOT TURN OFF OR DISCONNECT THE POWER CORD FROM THE A/V RECEIVER DURING THE UPDATE PROCESS!**

**DO NOT DISCONNECT THE USB STORAGE DEVICE DURING THE UPDATE PROCESS!**

#### Note:

The setting for the Network (including account information), Favorite, Preset and Recently Played may reset to the factory default after the update. Write down these settings before the update as they may need to be set up again.

The buttons, knobs, and connector mentioned in the following procedures are located on the Receiver's Front Panel or the Remote Control as shown in Figure 1.

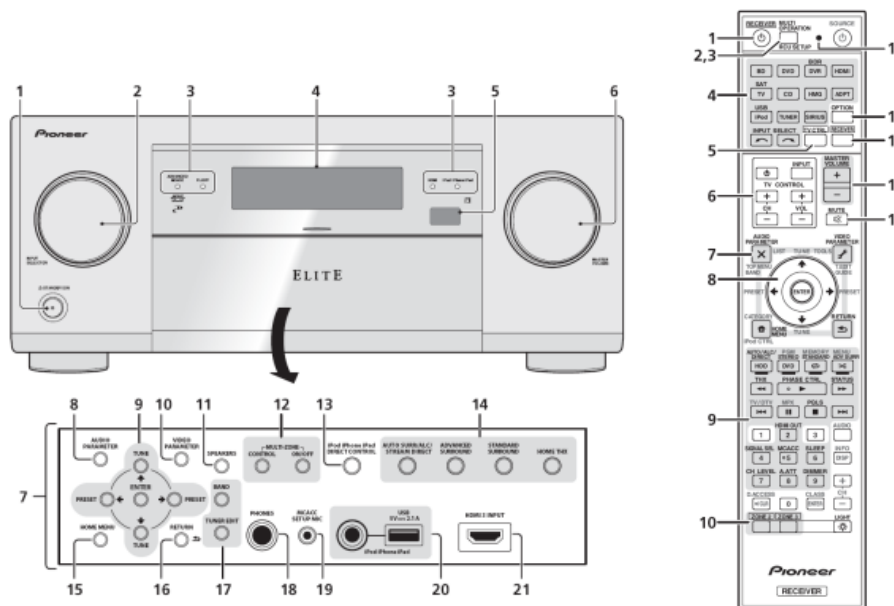


Figure 1 (VSX-53)



## 2) Updating the Firmware:

- a) Using a PC unzip the file “AVR\_1\_204087119093.zip” and copy the firmware file “AVR\_12\_0242.mem” to the root directory of the USB Storage Device.
- b) Turn on the receiver by pressing the **STANDBY/ON** (1) button.
- c) Using the Remote Control, press the **RECEIVER** button (13).
- d) Using the Remote Control, press the **HOME MENU** button (7).
- e) Using the **ARROW** buttons (8) on the Remote Control, select “System Setup” and press the **ENTER** button; then “Other Setup” and press **ENTER**; and finally “Software Update” and press **ENTER**.
- f) Connect the USB Storage Device to the USB Connector (20) on the front of the receiver.
- g) Using the **ARROW** buttons (8) on the Remote Control, select “Update via USB Memory” and press **ENTER**.
- h) Confirm a new Firmware file was found and select “OK” using the **ARROW** buttons (8) on the Remote Control, and press **ENTER**.
- i) In the popup window “OK to start software updating?”, select “YES” and press **ENTER**.
- j) The Firmware Update process begins. When finished, the receiver will automatically turn off.
- k) Remove the USB Storage Device.
- l) The Update Firmware process is complete.

## 3) Confirm the firmware was updated:

- a) Turn on the receiver by pressing the **STANDBY/ON** (1) button.
- b) Using the Remote Control, press the **RECEIVER** button (13).
- c) Using the Remote Control, press the **HOME MENU** button (7).
- d) Using the **ARROW** buttons (8) on the Remote Control, select “System Setup” and press the **ENTER** button; then “Other Setup” and press **ENTER**; then “Software Update” and press **ENTER**; and finally select “Check the Version” and press **ENTER**.
- e) The current firmware version will be displayed on the TV screen and front panel display. If the firmware is not Ver. 1-204-087-119-093, you need to install the update again.
- f) Press the **HOME MENU** button (7) to exit.

- 4) Return the setting for the Network (including account information), Favorite, and Preset to what they were before the Firmware Update. Refer to the section **Checking about the Accounts** on pages 43 to 44 for models VSX-52 and VSX-53 or pages 41 to 42 for model VSX-1121-K in the Operating Instructions for the steps to setup your Rhapsody account.

- 5) Finished