
PRV-LX1 – How to Replace a DVD Writer (Drive)

OVERVIEW:

Originally, the Pioneer PRV-LX1 industrial recorder was sold with a single DVD Writer (DVD-R/RW Drive). The second drive was offered as an option; installable at the factory or by a Pioneer-certified service organization. Often customers want to add a second drive or replace an existing drive using their in-house staff rather than sending the unit out to Pioneer Service. This document explains where to order a PRV-LX1 DVD Writer and how to replace the drive.

The Pioneer Electronics part number for a replacement DVD Writer is **DXX2588**. This model is designed specifically as a replacement drive for the PRV-LX1. Installing any other DVD drive in the recorder causes Power On errors. Also, you cannot use the DXX2588 as a second drive if your PRV-LX1 recorder is a single-drive model. The replacement drive does not include parts critical to a second drive installation. If you own a single drive version PRV-LX1 and wish to add a second drive, please contact an authorized Pioneer service representative. To order a replacement drive DXX2588, call Pioneer Electronics Service Parts department at (800) 228-7221 or order on-line at: <http://parts.pioneerelectronics.com>.

To replace a DVD Writer, you need to remove the top cover and unplug all cables from the drive. Take care when installing the drive so that no cables are pinched, the tray panel is mounted properly, and that the heat sink spacer is in good condition. For step-by-step installation instructions, refer to the following section. If, for any reason, you are not comfortable with this procedure, contact an authorized Pioneer service representative before attempting to replace a drive.

WARNING: Removing the PRV-LX1 cover automatically voids the warranty. Proceed with the drive replacement only if your unit is already out of warranty or you accept to knowingly void your warranty.

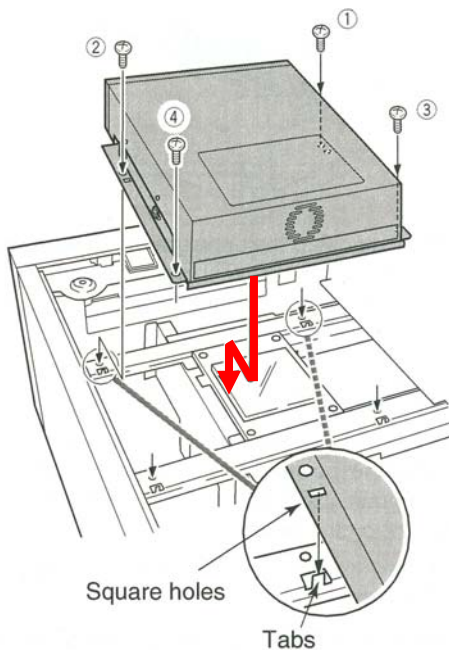
TECHNICAL DETAILS:

To remove a DVD Writer:

- 1) Power ON the PRV-LX1.
- 2) Press the **Eject** button to open the appropriate drive tray.
- 3) Power OFF the PRV-LX1.
- 4) Remove the front panel from the end of the drive tray.
To remove the tray panel, simultaneously lift both sides of the tray panel where it engages the tray.

- 5) By hand, slowly push straight back on the front edge of the tray to close it completely.
- 6) Remove the top cover of the PRV-LX1.
Remove the seven (7) screws from the top panel then lift straight up.

Reminder: Removing the cover voids any remaining warranty on the PRV-LX1.
- 7) Locate the drive to be replaced (DVD1 or DVD2).
- 8) Unplug the IDE and power cables from the drive to be replaced.
- 9) Unscrew the four (4) Phillips head screws from the drive mounting bracket.
To avoid dropping a screw into the PRV-LX1, use a properly-fitting, magnetized-tip screwdriver.
- 10) Carefully lift the drive (with the mounting bracket attached) out of the PRV-LX1.

**CAUTION:**

The *Heat Sink Spacer*, an adhesive pad between the drive and the heat sink, may stick to the original writer when it is lifted out. This spacer (in the drawing, the jagged arrow points to the pad location) must be returned to its original position on the heat sink before continuing.

If the spacer appears damaged, order part # *DEB-1600* from Pioneer Service – [Parts Dept.](#)

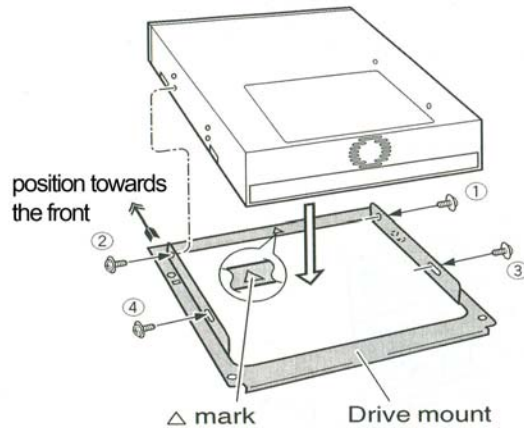
Warning: *If the contact between the replacement drive and the heat sink is faulty, the drive may overheat and possibly fail. Inspect the Heat Sink Spacer for rips or ragged edges and replace if necessary. If the pad adheres to the original writer but is in good condition, re-attach it to the heat sink.*

- 11) Remove the mounting bracket from the drive and set the bracket and screws aside.
Note the position and orientation of the bracket to the drive to duplicate on the replacement drive.

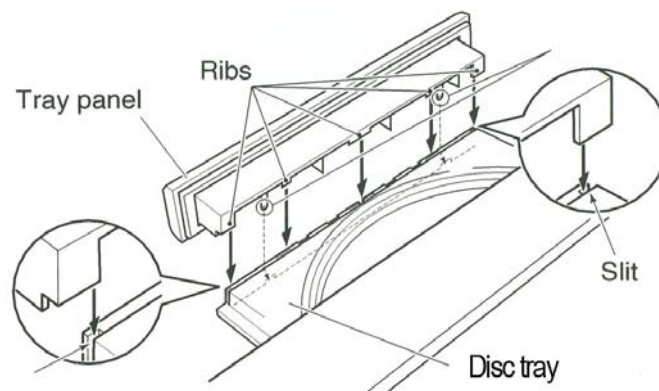
To install a DVD Writer:

- 1) Set the jumper on the replacement DVD Writer to match the jumper from the removed drive.

- 2) Attach the replacement drive to the mounting bracket.
Match the position and orientation as on the original drive.



- 3) Position the drive in the PRV-LX1.
Be careful to position the drive correctly. Square holes must fit completely over the tabs so that the mounting bracket/drive assembly is sitting flat and stable on the sub-chassis. If the mounting holes fail to align correctly, remove and re-align the drive. Do not force or strip the screws.
- 4) Use the four (4) Philips head screws to secure the drive's mounting bracket to the PRV-LX1.
- 5) Connect the IDE and power cables to the drive.
- 6) Power ON the PRV-LX1.
- 7) Once the PRV-LX1 has powered up, press the drive **Eject** button to extend the drive tray.
The PRV-LX1 automatically recognizes the drive if it has been installed properly.
- 8) Power OFF the PRV-LX1.
- 9) Attach the front tray panel to the drive tray.
Insert the tray panel ribs into the grooves along the front edge of the disc tray. To lock the panel in place, press the two side hooks down while supporting the underside of the tray.



10) Power ON the PRV-LX1.

11) Press the drive's **Eject** button again to close the tray.

CAUTION: The IDE cable connecting the optical drive(s) to the motherboard has very little slack. It is possible to dislodge this connection on the mother board or, if installed, at the other drive. Check all three connection points before powering ON the PRV-LX1.

If the PRV-LX1 fails to power up or exhibits an error when powering ON, turn the power OFF then check all three connection points. If the recorder still fails to power ON or exhibits errors, check the DVD Writer's jumper setting. If all connectors are seated properly and the jumper is set correctly but the recorder continues to fail, contact Pioneer Service (PSE) at the toll-free number, (800) 872-4159.

ADDITIONAL INFORMATION:

If you have questions about this procedure or are experiencing errors after performing this procedure, please let the Pioneer Service representative know when you call.

PRV-LX1 information is available in the *Business Products Support* section of the Pioneer website:

[PRV-LX1 Support](#)

(<http://www.pioneerelectronics.com/PUSA/Support/BusinessProducts/ProfessionalDVD>)

The PRV-LX1 system updates are available on the above webpage. Please register your recorder to access the current update file and to receive future update notifications.

For assistance with your PRV-LX1, contact Pioneer Service at (800) 872-4159 or send your questions to:

<mailto:LX1-help@pioneer-usa.com>